



Princeton University's Flight Research Laboratory (1943-1983)

Robert Stengel, MAE 331, 2002



- Forrestal Campus
- 3,000-ft dedicated runway

Copyright 2002 by Robert Stengel. All rights reserved.

Helicopters and Flying Saucers



- *Piasecki HUP-1 helicopter*
- *Hiller H-23 helicopter*
- *Princeton Air Scooter*
- *Hiller VZ-1 Flying Platform*
- *Princeton 20-ft Ground Effect Machine*

Short-Takeoff-and-Landing, Inflatable Plane, and the Princeton Sailwing

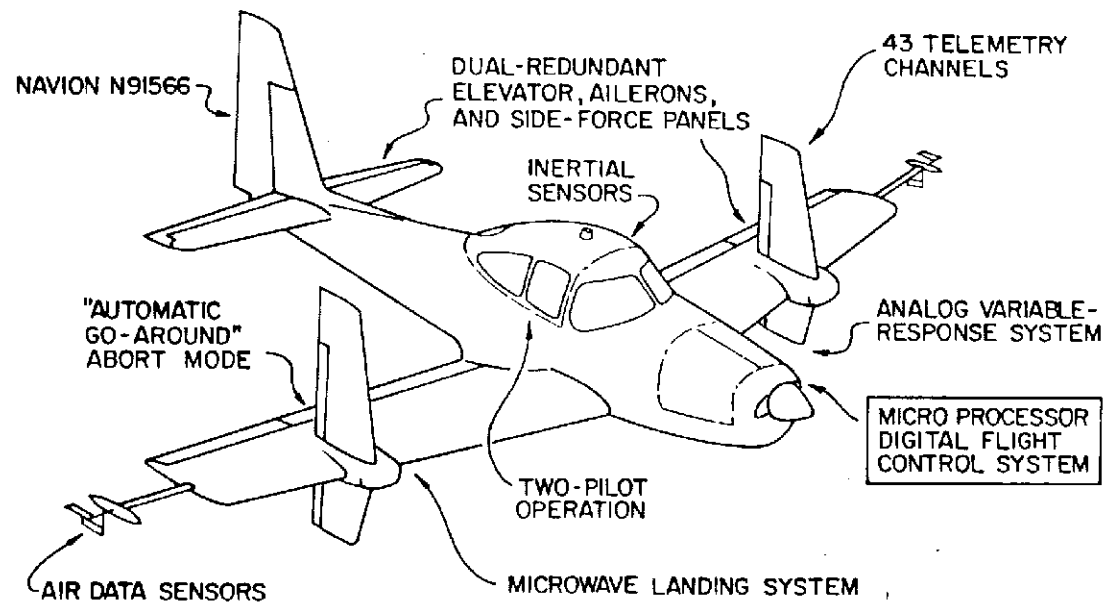


- *Pilatus Helio Courier*
- *Goodyear InflatoPlane*
- *Princeton Sailwing*



Variable-Response Research Aircraft

(Modified *North American Navion A*)

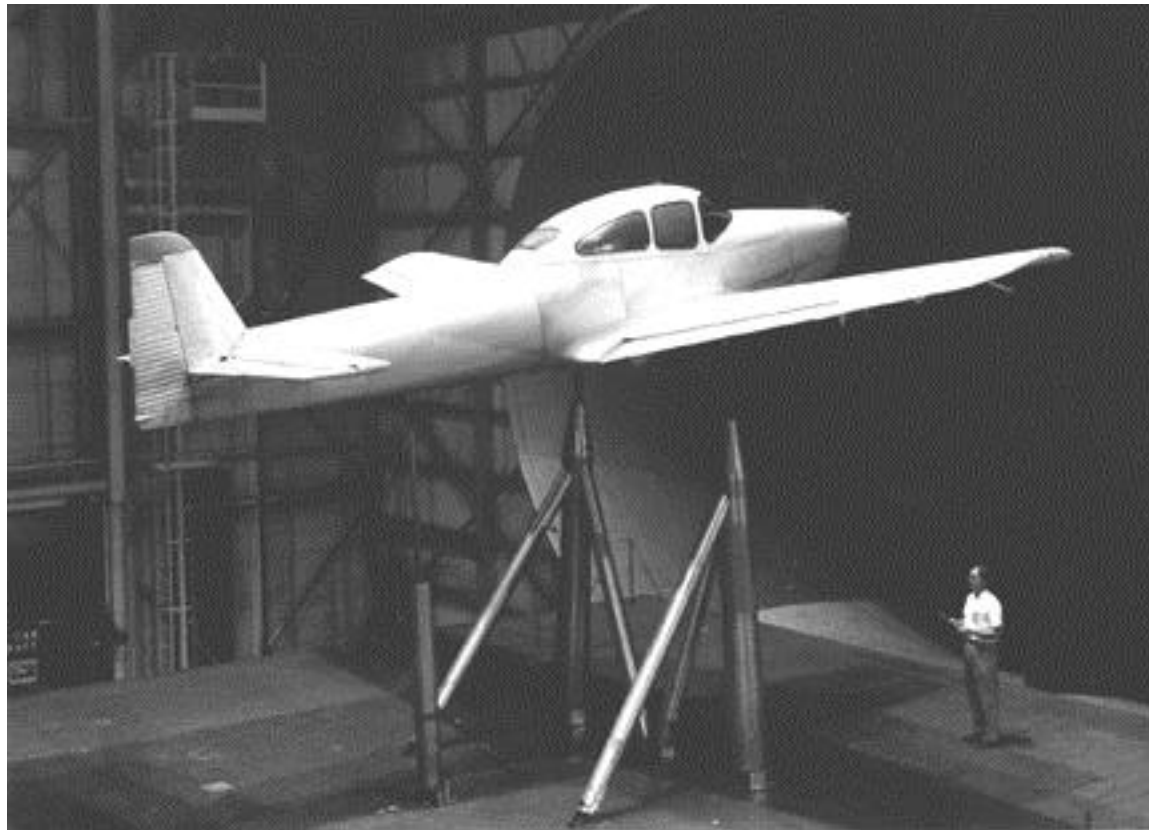


Avionics Research Aircraft

(Modified *Ryan Navion A*)



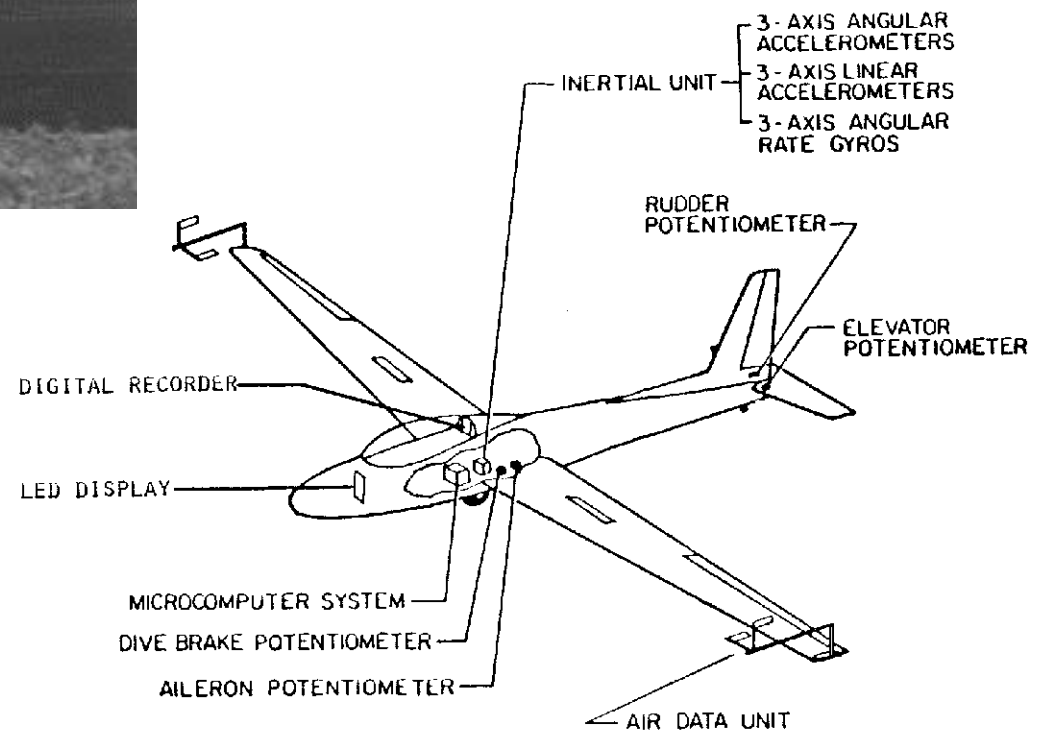
***Navion* in the NASA Langley Research Center
30' x 60' Wind Tunnel**



Lockheed LASA-60 Utility Aircraft



Schweizer 2-32 Sailplane (“Cibola”)



**The Princeton
“Long Track”
(750-ft-long
“Inverse Wind Tunnel”)**

