



# **REPLACEMENT PARTS CATALOGUE No. 10**

TIGER CUB  
'A' RANGE MODELS  
T20  
T20SS  
T20SH

from Engine No. 99720

September 1964

**TRIUMPH ENGINEERING COMPANY LIMITED**  
**MERIDEN WORKS · ALLESLEY · COVENTRY · ENGLAND**  
TELEPHONE MERIDEN 331  
TELEGRAMS "TRUSTY, COVENTRY"

## HOW TO USE THIS PARTS CATALOGUE

First check that the engine number of your machine is subsequent to that quoted on the title page.

Next consult the indices on Pages 5 and 6 for the parts or group of parts which you wish to locate. When you have located the parts on the illustration check the reference number on the facing page and make sure from the end columns that the part you have located does apply to your machine.

List the quantities required as single units; do not ask for "2 pairs" or "3 dozen".

In case of painted items always state the colour required. Painted parts are available only in the colours or alternatives specified for that model of that particular year.

| <i>Colour</i>  | <i>Suffix letter to Part No.</i> |
|----------------|----------------------------------|
| Black          | W.                               |
| Silver         | V.                               |
| Hunting Yellow | HY.                              |
| Pacific Blue   | PB.                              |

N.B. Pacific Blue is a flamboyant finish applied over silver sheen.

Paint is available also in all colours in  $\frac{1}{4}$  pint or 1 gallon tins.

# TRIUMPH GUARANTEE

1. In this Guarantee the word "machine" refers to the motor cycle, scooter, motor cycle combination or sidecar as the case may be, purchased by the Purchaser.
2. In order to obtain the benefit of this Guarantee, the Purchaser must have correctly completed the registration form and returned it to us within fourteen days of the purchase.
3. We will supply, free of charge, a new part in exchange for, or, if we consider repair sufficient, will repair free of charge any part proved within six months of the date of purchase of any new machine, (three months overseas) or within three months of its renewal or repair in the case of a part already renewed or repaired, to be defective by reason of our faulty workmanship or materials. We do not undertake to bear the cost of fitting such new or repaired part or accessory.
4. Any part considered to be defective must be sent to our Works, carriage paid, accompanied by the following information:—
  - (a) Name of purchaser and his address;
  - (b) Date of purchase of machine;
  - (c) Name of dealer from whom the purchase was made;
  - (d) Engine number and model.
5. This Guarantee shall not extend to defects or damage appearing after misuse, neglect, abnormal stress or strain, or the incorporation or affixing of unsuitable attachments or parts and in particular:—
  - (a) Hiring out;
  - (b) Racing and Competitions;
  - (c) Adaptation or alteration of any part or parts after leaving our Works;
  - (d) The attaching of a sidecar in a manner not approved by us or to an unsuitable motor cycle.

This Guarantee shall not extend to machines whose trade mark, name or manufacturing number has been altered or removed, or in which has been used any part not supplied or approved by us, or to tyres, saddles, chains, speedometers, revolution counters and electrical equipment or to parts supplied to the order of the Purchaser and different from our standard specification.
6. Our liability and that of our dealer who sells the machine, shall be limited to that set out in this guarantee, and no other claims including claims for consequential damage or injury to person or property, shall be admissible. All other conditions and warranties statutory or otherwise and whether express or implied are hereby excluded and no guarantee other than that expressly herein contained applies to the machine to which this Guarantee relates or any accessory or part thereof.
7. We reserve the right to modify or deviate from the Published Specification without notice.

## REPAIRS GUARANTEE

1. Whilst the highest standard of workmanship and materials is aimed at, we cannot accept liability for any defects appearing more than three months after the machine, assembly or component has left our Works after being repaired.
2. We will repair or replace at our option free of charge any defective work, materials or parts relating to the repairs carried out by us appearing within that time but shall not be under any further or other liability for any other loss or damage whether direct or consequential and our liability shall be limited to the cost of so making good. We do not undertake to bear the cost of fitting any replacement or repaired part.
3. We do not accept liability in respect of parts of proprietary manufacture, e.g. tyres, saddles, chains, speedometers, revolution counters and electrical equipment which may be used by us in effecting a repair. All other conditions and warranties statutory or otherwise express or implied are hereby excluded.

# TRIUMPH SPARES

**HOW TO ORDER.** Every part is indicated by number, and this should be quoted together with the description. In order to assist customers, dimensions have been given in many cases where parts are similar. Parts where possible have been listed in order of assembly and a number of the illustrations show the assembly order also. With these aids there should be no difficulty in identifying the parts you require. **Always head your order with the engine number, stamped on the front engine lug, together with the prefix letters.**

**WHERE TO OBTAIN.** Triumph Spare Parts can only be obtained from an authorised Triumph Dealer, and we recommend our customers to place their orders with the Triumph Dealer in their district. When parts not usually asked for are required, and for which the Dealer may have to write or obtain specially, the postage or carriage incurred becomes payable.

**Triumph Spares are not supplied to private owners direct from the factory. A list of authorised dealers who stock Triumph spares is published overleaf. If difficulty is experienced in obtaining the required parts, the matter should be taken up directly with the Triumph Spares Department.**

Customers are warned against the risk incurred by purchasing parts that are not of genuine Triumph manufacture. This risk is eliminated if parts are ordered as instructed from recognised Dealers.

**PATTERNS AND PARTS FOR REPAIR.** It is not necessary to send patterns if the part number is quoted. The sending of patterns often delays the order as parcel post or rail takes longer than letter post.

Parts sent to Coventry for repair, replacement, or as patterns should bear the sender's name and address and clear instructions should accompany the parts. In your own interest send a copy of the advice note under separate cover. All parts must be forwarded carriage paid and care should be taken to ensure that all remittances are sent separately and not enclosed with the parts. Fragile units such as cylinders, etc., should always be boxed to avoid damage in transit. Complete machines should have all fittings such as windscreens, driving mirrors, tools, etc., removed by the sender before despatch, as it is impossible for us to accept responsibility in the event of loss in transit. We are always pleased to give estimates for overhauling and repairs, but should an estimate not be accepted, a charge will be made covering cost of dismantling and re-assembling, if carried out.

Communications relating to Parts should be addressed to the SPARES DEPARTMENT and for repairs, guarantee claims and technical advice to the SERVICE DEPARTMENT, Triumph Engineering Co. Ltd., Meriden Works, Allesley, Coventry. In order to facilitate quick reference, the quoting of any number, invoice number or reference from previous communications is essential. Accessories not of our manufacture should be sent direct to the actual makers, whose names and addresses appear below.

## PROPRIETARY GROUP

Ancillary equipment which is fitted to our motor cycles is of the highest quality and is guaranteed by the manufacturers and not by ourselves. Any repairs or claims should be directed to the actual makers or their local agents who will always give owners every possible assistance. The following are the addresses of the various manufacturers:—

### **CARBURETTERS.**

Messrs. Amal Ltd.,  
Holdford Road, Witton, Birmingham, 6.

### **CHAINS.**

Renold Chains Ltd.,  
Wythenshawe, Manchester.

### **ELECTRICAL EQUIPMENT.**

Messrs. J. Lucas Ltd.,  
Gt. Hampton Street, Birmingham, 18.

### **TYRES.**

Dunlop Rubber Co. Ltd.,  
Fort Dunlop,  
Birmingham, 24.  
The Avon India Rubber Co. Ltd.,  
Melksham,  
Wiltshire.

### **SPARKING PLUGS.**

Champion Sparking Plug Co. Ltd.,  
Feltham, Middlesex.

### **SPEEDOMETERS.**

Messrs. Smiths Motor Accessories Ltd.,  
Cricklewood Works, London, N.W.2.

### **SUSPENSION UNITS.**

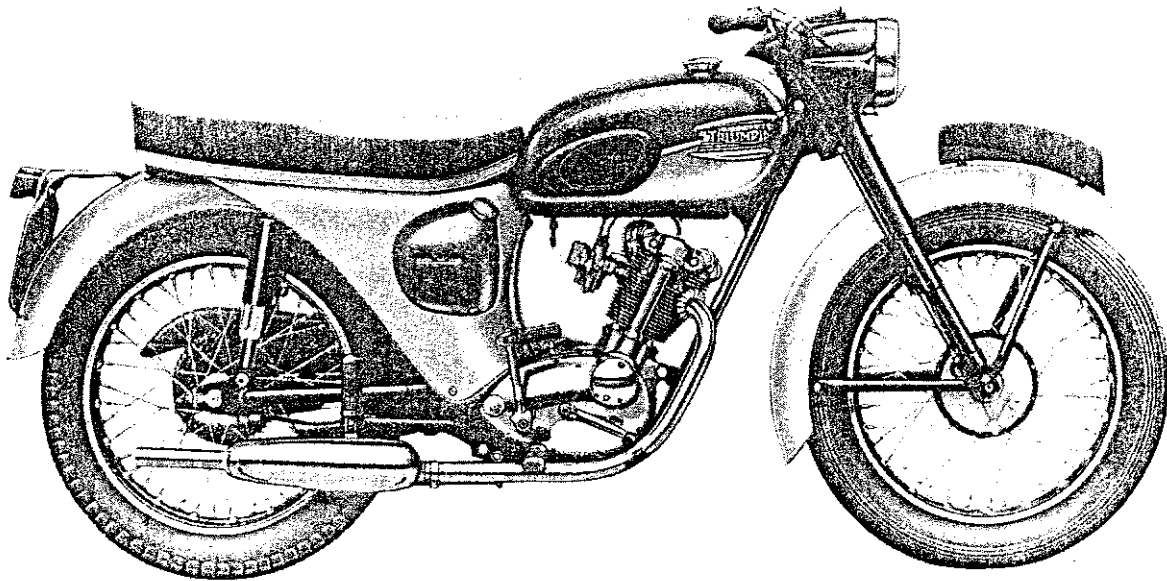
Messrs. Girling Ltd.,  
Kings Road, Tyseley, Birmingham, 11.

# ILLUSTRATION INDEX

| Fig. No. |  | Page No.   |
|----------|--|------------|
| 1        | CRANKSHAFT, PISTON AND TIMING GEARS ... ..           | 14         |
| 2        | CRANKCASE ... ..                                     | 16         |
| 3        | CYLINDER BARREL AND HEAD ... ..                      | 18         |
| 4        | OIL PUMP AND CONTROL PEDALS ... ..                   | 20         |
| 5        | GEARBOX SHAFTS AND GEARS ... ..                      | 22 & 24    |
| 6        | CLUTCH AND CHAINS ... ..                             | 26         |
| 7        | FRAME COMPLETE ... ..                                | 28         |
| 8        | FOOTRESTS, CHAINGUARDS, PROPSTAND ETC. ... ..        | 30         |
| 9        | TELESCOPIC FRONT FORK T20 ... ..                     | 32         |
| 10       | TELESCOPIC FRONT FORK T20SS AND T20SH ... ..         | 34         |
| 11       | FRONT WHEEL T20 ... ..                               | 36         |
| 12       | FRONT WHEEL T20SS AND T20SH ... ..                   | 38         |
| 13       | REAR WHEEL ... ..                                    | ...40 & 42 |
| 14       | MUDGUARDS AND NUMBER PLATES ... ..                   | 44         |
| 15       | TWINSEAT, REAR PANELS AND EXHAUST SYSTEM ... ..      | 46         |
| 16       | PETROL AND OIL TANKS ... ..                          | 48         |
| 17       | BATTERY CASE, TOOLBOX AND AIR FILTER ... ..          | 50         |
| 18       | HANDLEBARS AND CONTROL LEVERS T20 ... ..             | 52         |
| 19       | HANDLEBARS AND CONTROL LEVERS T20SS AND T20SH ... .. | 54         |
| 20       | CONTROL CABLES ... ..                                | 56         |
| 21       | AMAL CARBURETTER, TYPE 376 ... ..                    | 58         |
| 22       | AMAL CARBURETTER, TYPE 32 ... ..                     | 60         |
| 23       | ELECTRICAL EQUIPMENT, T20, T20SS AND T20SH ... ..    | 62         |
| 24       | CONTACT BREAKER AND IGNITION COILS ... ..            | 64         |
| 25       | STATOR, TAIL LAMP AND STOP LAMP SWITCH ... ..        | 66         |
| 26       | SPEEDOMETER AND TACHOMETER EQUIPMENT ... ..          | 68         |

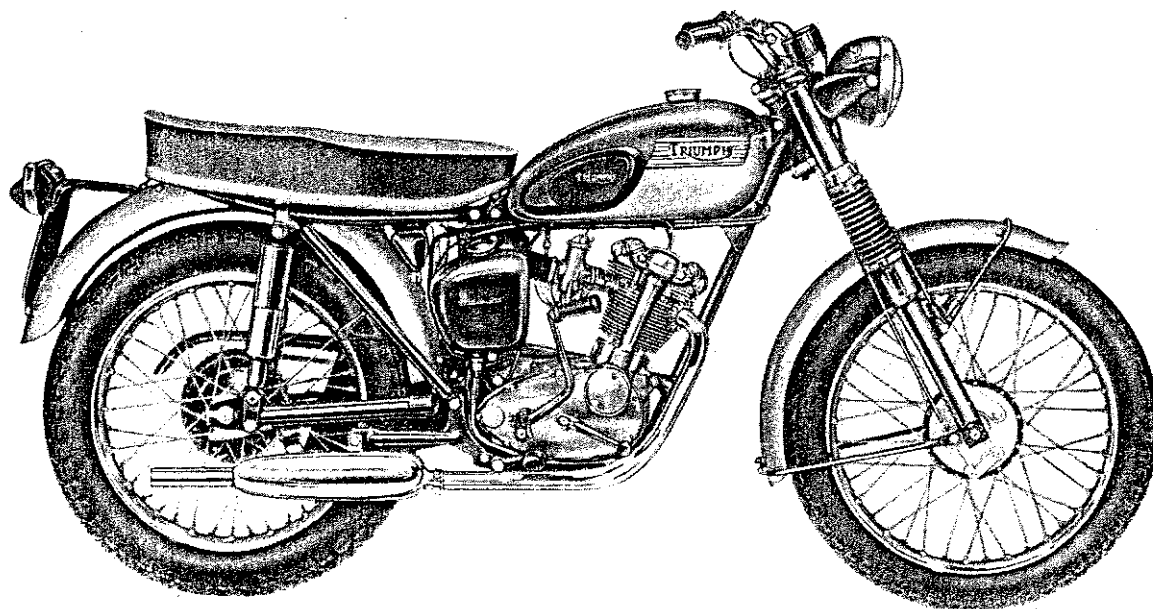
# INDEX

|                                 | <i>Page</i> |                             | <i>Page</i> |
|---------------------------------|-------------|-----------------------------|-------------|
| AIR FILTER ... ..               | 51, 61      | MUDGUARDS AND NUMBER PLATES | 45          |
| ALTERNATIVE SPROCKETS ... ..    | 11          | OIL PUMP ... ..             | 21          |
| BATTERY CARRIER ... ..          | 51          | OIL TANK ... ..             | 49          |
| CARBURETTER ... ..              | 59, 61      | PETROL TANK ... ..          | 49          |
| CARTON PACKS ... ..             | 10, 11      | PILLION FOOTRESTS ... ..    | 31          |
| CENTRE STAND ... ..             | 29          | PISTONS ... ..              | 15          |
| CHAINGUARDS ... ..              | 31          | PROP STAND ... ..           | 31          |
| CHAINS ... ..                   | 27          | REAR PANELS ... ..          | 47          |
| CLUTCH ... ..                   | 27          | REAR WHEEL ... ..           | 41, 43      |
| COIL ... ..                     | 65          | RECTIFIER ... ..            | 63          |
| CONTACT BREAKER ... ..          | 65          | ROTOR ... ..                | 15          |
| CONTROL CABLES ... ..           | 57          | SILENCERS ... ..            | 47          |
| CONTROL LEVERS ... ..           | 53, 55      | SPARKING PLUGS ... ..       | 65          |
| CRANKCASE ... ..                | 17          | SPEEDOMETER ... ..          | 69          |
| CRANKSHAFT ... ..               | 15          | STATOR ... ..               | 67          |
| CYLINDER BARREL AND HEAD ... .. | 19          | STEERING RACES ... ..       | 29          |
| ELECTRICAL EQUIPMENT ... ..     | 63, 65, 67  | SUSPENSION UNITS ... ..     | 29          |
| ENGINE BOLTS ... ..             | 29          | SWITCHES ... ..             | 63          |
| ENGINE SPROCKET ... ..          | 15          | TACHOMETER ... ..           | 69          |
| EXHAUST PIPES ... ..            | 45          | TIMING GEARS ... ..         | 15          |
| FOOTRESTS ... ..                | 31          | TOOLBOX AND TOOLKIT ... ..  | 51          |
| FRAME ... ..                    | 29          | TWINSEAT ... ..             | 47          |
| FRONT FORKS ... ..              | 33, 35      | TWISTGRIP ... ..            | 53, 55      |
| FRONT WHEEL ... ..              | 37, 39      | VALVES ... ..               | 19          |
| GASKET SETS ... ..              | 11          | WIRING HARNESS ... ..       | 63          |
| GEARBOX ... ..                  | 23, 25      |                             |             |
| HANDLEBARS ... ..               | 53, 55      |                             |             |
| HORN ... ..                     | 63          |                             |             |



### TIGER CUB (T20) TECHNICAL DATA

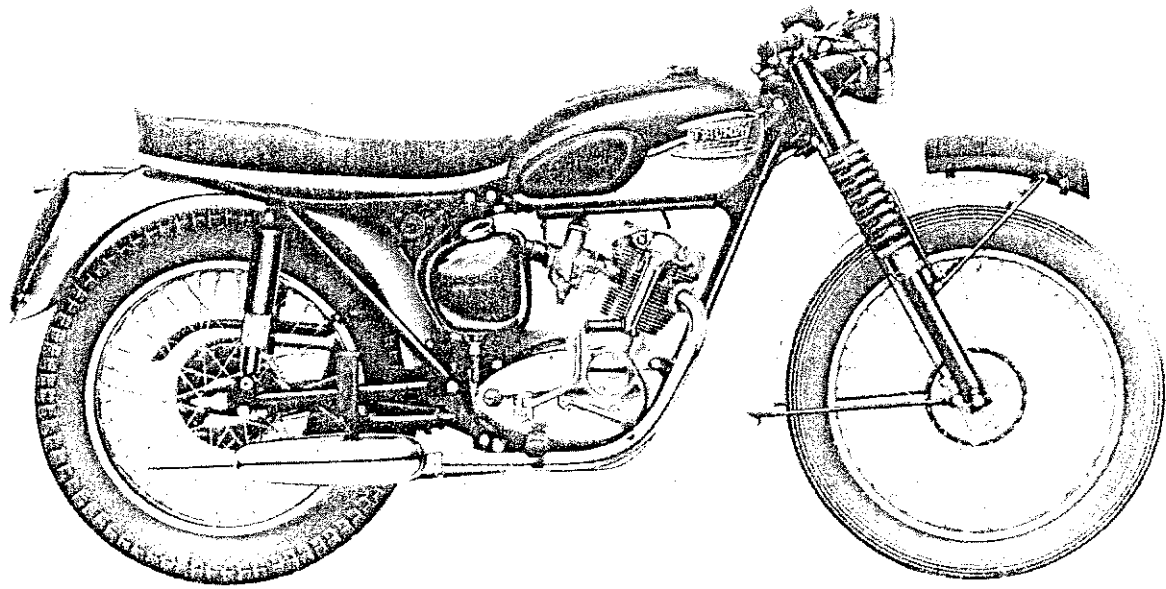
|                      |                         |  |
|----------------------|-------------------------|--|
| Bore and Stroke      |                         | 63 x 64 mm.<br>2.480 x 2.520 ins.                        |
| Capacity             |                         | 199 c.c. (12 cu. ins.)                                   |
| Compression Ratio    |                         | 7 : 1  |
| Sparking Plug        | Champion L7             |  |
| Carburettor          |                         | Amal Type 32   |
|                      | Choke Size              | 11/16 in.  |
|                      | Main Jet                | 85   |
|                      | Throttle Valve          | 32/4   |
|                      | Needle Position         | 2  |
|                      | Needle Jet              | 0.103  |
|                      | Pilot Jet               | 15   |
| Gearbox Sprocket     |                         | 17 teeth   |
| Final Drive Sprocket |                         | 46 teeth   |
| Chains               | Front                   | $\frac{3}{8}$ in. x $\frac{7}{32}$ in. Duplex x 62 links |
|                      | Rear                    | $\frac{1}{2}$ in. x $\frac{3}{16}$ in. x 112 links       |
| Capacities           | Fuel Tank               | 3 galls. (13.5 litres)                                   |
|                      | Oil Tank                | 2 $\frac{3}{4}$ pints (1.55 litres)                      |
|                      | Gearbox                 | $\frac{1}{2}$ pint (200 c.c.)                            |
|                      | Primary Chaincase       | $\frac{1}{4}$ pint (200 c.c.)                            |
|                      | Front Forks (each leg)  | $\frac{1}{8}$ pint (75 c.c.)                             |
| Brakes               | Front and Rear Diameter | 5 $\frac{1}{2}$ in. (13.97 cm.)                          |
| Tyre Size            | Front and Rear          | 3.25 x 17  |



### TIGER CUB (T20SS) TECHNICAL DATA

|                      |                         |  |
|----------------------|-------------------------|--|
| Bore and Stroke      |                         | 63 x 64 mm.<br>2.480 x 2.520 ins.                        |
| Capacity             |                         | 199 c.c. (12 cu. ins.)                                   |
| Compression Ratio    |                         | 9 : 1  |
| Sparking Plug        | Champion L7             |  |
| Carburetter          |                         | Amal Monobloc  |
|                      | Choke Size              | $\frac{15}{16}$ in.                                      |
|                      | Main Jet                | 140  |
|                      | Needle Jet              | .106   |
|                      | Needle                  | Type C   |
|                      | Throttle Valve          | 376/3  |
|                      | Pilot Jet               | 20   |
| Gearbox Sprocket     |                         | 17 teeth   |
| Final Drive Sprocket |                         | 48 teeth   |
| Chains               | Front                   | $\frac{3}{8}$ in. x $\frac{7}{32}$ in. Duplex x 62 links |
|                      | Rear                    | $\frac{1}{2}$ in. x $\frac{3}{16}$ in. x 113 links       |
| Capacities           | Fuel Tank               | 2 $\frac{5}{8}$ galls. (11.9 litres)                     |
|                      | Oil Tank                | 2 $\frac{3}{4}$ pints (1.55 litres)                      |
|                      | Gearbox                 | $\frac{1}{3}$ pint (200 c.c.)                            |
|                      | Primary Chaincase       | $\frac{1}{3}$ pint (200 c.c.)                            |
|                      | Front Forks (each leg)  | $\frac{1}{3}$ pint (190 c.c.)                            |
| Brakes               | Front and Rear Diameter | 5 $\frac{1}{2}$ in. (13.97 cm.)                          |
| Tyre Size            | Front                   | 3.00 x 19  |
|                      | Rear                    | 3.50 x 18  |





### TIGER CUB (T20SH) TECHNICAL DATA

|                      |                         |  |
|----------------------|-------------------------|--|
| Bore and Stroke      |                         | 63 x 64 mm.<br>2.480 x 2.520 ins.                        |
| Capacity             |                         | 199 c.c. (12 cu. ins.)                                   |
| Compression Ratio    |                         | 9 : 1  |
| Sparking Plug        | Champion L7             |  |
| Carburetter          |                         | Amal Monobloc  |
|                      | Choke Size              | $\frac{15}{16}$ in.                                      |
|                      | Main Jet                | 140  |
|                      | Needle Jet              | 106  |
|                      | Needle                  | Type C   |
|                      | Throttle Valve          | 376.3  |
|                      | Pilot Jet               | 20   |
| Gearbox Sprocket     |                         | 17 teeth   |
| Final Drive Sprocket |                         | 48 teeth   |
| Chains               | Front                   | $\frac{3}{8}$ in. x $\frac{7}{32}$ in. Duplex x 62 links |
|                      | Rear                    | $\frac{1}{2}$ in. x $\frac{3}{16}$ in. x 113 links       |
| Capacities           | Fuel Tank               | 3 galls. (13.5 litres)                                   |
|                      | Oil Tank                | 2 $\frac{1}{4}$ pints (1.55 litres)                      |
|                      | Gearbox                 | $\frac{1}{3}$ pint (200 c.c.)                            |
|                      | Primary Chaincase       | $\frac{1}{3}$ pint (200 c.c.)                            |
|                      | Front Forks (each leg)  | $\frac{1}{3}$ pint (190 c.c.)                            |
| Brakes               | Front and Rear Diameter | 5 $\frac{1}{2}$ in. (13.97 cm.)                          |
| Tyre Size            | Front                   | 3.00 x 19  |
|                      | Rear                    | 3.50 x 18  |

## CARTON PACK LIST

The following sub-assemblies are supplied in carton packs under the C.P. part number stated. The contents of these carton packs are preserved and will not deteriorate under adverse conditions.

| Part No.                                |    |       | Contents                 |
|---|----|-------|--------------------------|
| <b>Big End Assembly</b>                 |    |       |                          |
| C.P. 197                                | 1  | E5416 | Connecting rod           |
|   | 1  | E5802 | Crankpin                 |
| <b>Brake Linings</b>                    |    |       |                          |
| C.P. 128                                | 2  | W978  | Brake linings            |
|   | 14 | W979  | Rivets                   |
| <b>Piston (T20)</b>                     |    |       |                          |
| C.P. 141                                | 1  | E3358 | Piston, C.R. 7 : 1       |
|   | 1  | E656  | Compression ring (plain) |
|   | 1  | E3048 | Compression ring (taper) |
|   | 1  | E3387 | Oil control ring         |
|   | 1  | E1750 | Gudgeon pin              |
|   | 2  | E1767 | Circlip                  |
| <b>Piston Rings (T20)</b>               |    |       |                          |
| C.P. 150                                | 1  | E656  | Compression ring (plain) |
|   | 1  | E3048 | Compression ring (taper) |
|   | 1  | E3387 | Oil control ring         |
| <b>Piston (T20SS &amp; T20SH)</b>       |    |       |                          |
| C.P. 172                                | 1  | E3958 | Piston, C.R. 9 : 1       |
|   | 1  | E3959 | Compression ring (plain) |
|   | 1  | E3960 | Compression ring (taper) |
|   | 1  | E3961 | Oil control ring         |
|   | 1  | E1750 | Gudgeon pin              |
|   | 2  | E1767 | Circlip                  |
| <b>Piston Rings (T20SS &amp; T20SH)</b> |    |       |                          |
| C.P. 178                                | 1  | E3959 | Compression ring (plain) |
|   | 1  | E3960 | Compression ring (taper) |
|   | 1  | E3961 | Oil control ring         |
| <b>Valve Guides</b>                     |    |       |                          |
| C.P. 122                                | 2  | E3208 | Valve guide              |
|   | 2  | E3209 | Circlip                  |
| <b>Valves</b>                           |    |       |                          |
| C.P. 186                                | 1  | E3963 | Inlet valve              |
|   | 1  | E3147 | Exhaust valve            |
| <b>Valve Springs (T20)</b>              |    |       |                          |
| C.P. 123                                | 2  | E3214 | Inner valve spring       |
|   | 2  | E3215 | Outer valve spring       |

**CARTON PACK LIST — continued**

| <i>Part No.</i>                          |      |        | <i>Contents</i>          |
|--|------|--------|--------------------------|
| <b>Valve Springs (T20SS &amp; T20SH)</b> |      |        |                          |
| C.P. 185                                 | 2    | E3965  | Inner valve spring       |
|  | 2    | E3966  | Outer valve spring       |
| <b>Steering Races</b>                    |      |        |                          |
| C.P. 129                                 | 2    | H835   | Cup                      |
|  | 2    | H833   | Cone                     |
|  | 30   | S70-3  | Steel ball (¼ in. diam.) |
| <hr/>                                    |      |        |                          |
| <b>Gasket Set</b>                        | GS   | T20/59 | All models               |
| <b>De-Coke Gasket Set</b>                | D/GS | 3      | All models               |
| <hr/>                                    |      |        |                          |

**ALTERNATIVE SPROCKETS**

| <b>Gearbox</b> |          | <b>Rear Wheel</b> |          |
|----------------|----------|-------------------|----------|
| T1555/13       | 13 teeth | W1320             | 46 teeth |
| T1555/14       | 14 teeth | W984              | 48 teeth |
| T1555/15       | 15 teeth | W1074             | 50 teeth |
| T1513/16       | 16 teeth | W1075             | 52 teeth |
| T1513/17       | 17 teeth | W1076             | 54 teeth |
| T1513/18       | 18 teeth | W1078             | 58 teeth |
| T1568          | 19 teeth |                   |          |

**WORKSHOP TOOLS**

|       |  |
|-------|--|
| Z 135 | Distributor Gear Extractor                     |
| Z 139 | Timing Pinion Extractor                        |
| D 485 | Contact Breaker Extractor                      |
| D 486 | Contact Breaker Reassembly Pilot               |
| D 400 | Clutch Extractor                               |
| D 538 | Flywheel Tool                                  |
| D 220 | Fork Spanner (T20SS and T20SH)                 |
| D 526 | Crankshaft bearing extractor tool              |
| D 527 | Fork Spanner (for T20SS and T20SH sleeve nuts) |



### PLEASE NOTE

THROUGHOUT THIS LIST, ASSEMBLIES ARE PRINTED IN CAPITALS AND THE COMPONENTS INCLUDED IN THAT ASSEMBLY ARE INDENTED IN THE DESCRIPTION COLUMN, REVERTING TO THE ORIGINAL ALIGNMENT WHEN THE ASSEMBLY IS COMPLETE. TO ORDER THE COMPLETE ASSEMBLY IT IS NECESSARY ONLY TO QUOTE THE ASSEMBLY NUMBER. ANY COMPONENT PARTS LISTED MAY ALSO BE OBTAINED SEPARATELY, IF REQUIRED.

### SPECIAL WORKSHOP TOOLS

A COMPLETE LIST OF WORKSHOP TOOLS CAN BE MADE AVAILABLE BY EITHER CONTACTING YOUR DEALER OR APPLYING DIRECT TO THE TRIUMPH SERVICE DEPARTMENT. IN MOST CASES THESE TOOLS ARE VERY COSTLY AS THEY ARE MADE ENTIRELY FOR WORKSHOP USE, AND THEREFORE, IT IS NOT RECOMMENDED THAT THE PRIVATE OWNER PURCHASE THE TOOLS IN ORDER TO AID SERVICING THE MACHINE ONCE OR TWICE ONLY. IN THESE CIRCUMSTANCES IT IS FAR MORE ECONOMICAL TO GET IN TOUCH WITH A RECOGNISED DEALER.

CRANKSHAFT ASSY. REF. N° 1

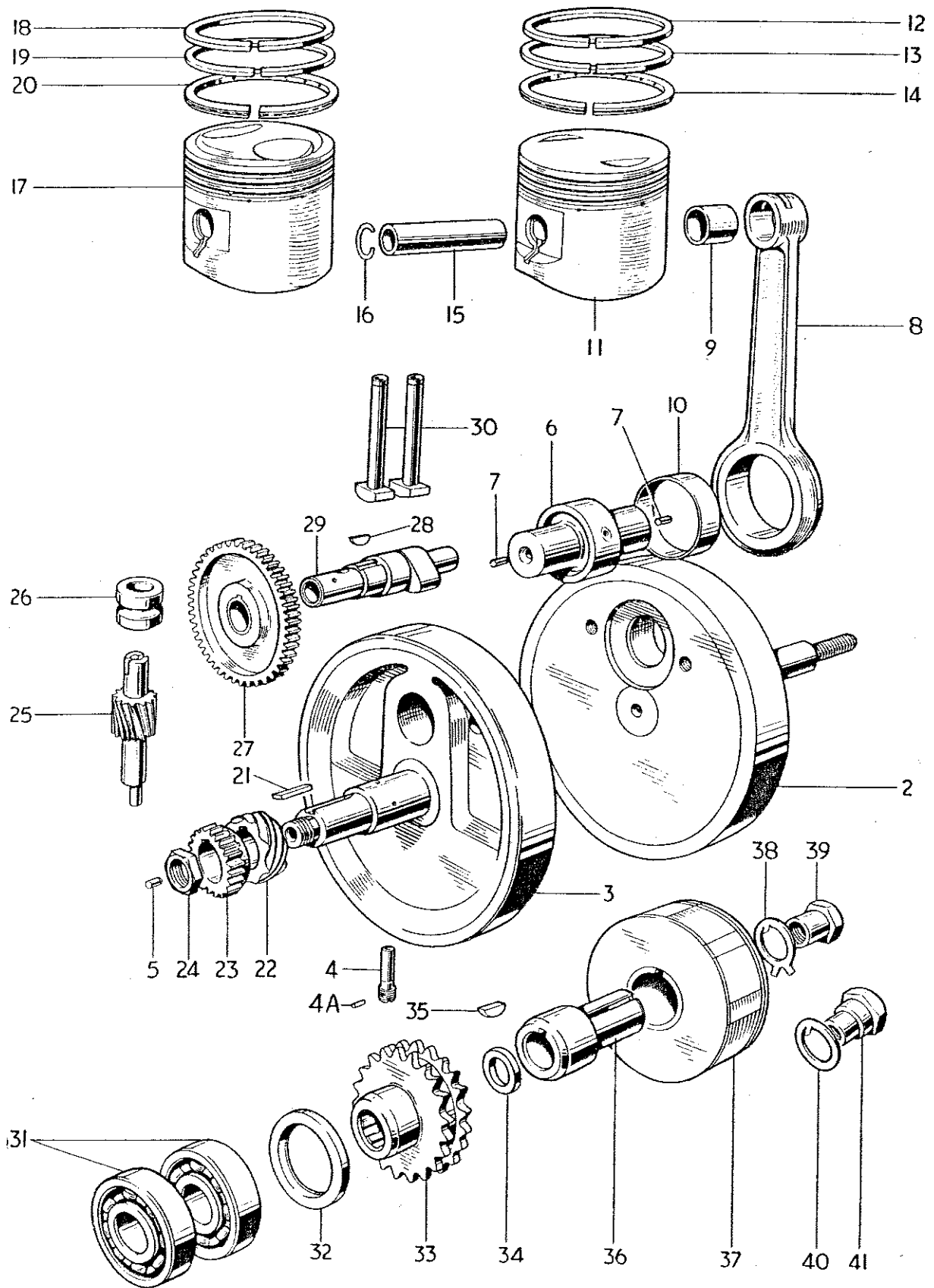


Fig. 1. CRANKSHAFT, PISTON AND TIMING GEARS

**CRANKSHAFT, PISTON AND TIMING GEARS**

|    |          |                                   | T20 | T20SS | T20SH |
|----|----------|-----------------------------------|-----|-------|-------|
| 1  | E5892    | CRANKSHAFT ASSEMBLY               | 1   | 1     | 1     |
| 2  | E4436    | Left flywheel ...                 | 1   | 1     | 1     |
| 3  | E5893    | RIGHT FLYWHEEL                    | 1   | 1     | 1     |
| 4  | E5806    | Screwed plug                      | 1   | 1     | 1     |
| 4a | E5864    | Nylon insert                      | 1   | 1     | 1     |
| 5  | E3902    | Oilway plug                       | 1   | 1     | 1     |
| 6  | E5802    | CRANKPIN                          | 1   | 1     | 1     |
| 7  | E3292    | Oilway plug                       | 2   | 2     | 2     |
| 8  | E5416    | Connecting rod                    | 1   | 1     | 1     |
| 9  | E1762    | Small end bush                    | 1   | 1     | 1     |
| 10 | E5418    | Big end bush (Export only)        | 1   | 1     | 1     |
| 11 | CP141    | PISTON COMPLETE, C.R. 7 : 1       | 1   | -     | -     |
| 12 | E656     | Compression ring                  | 1   | -     | -     |
| 13 | E3048    | Taper compression ring            | 1   | -     | -     |
| 14 | E3387    | Oil control ring...               | 1   | -     | -     |
| 15 | E1750    | Gudgeon pin                       | 1   | -     | -     |
| 16 | E1767    | Circlip                           | 2   | -     | -     |
| 17 | †CP172   | PISTON COMPLETE, C.R. 9 : 1       | -   | 1     | 1     |
| 18 | E3959    | Compression ring                  | -   | 1     | 1     |
| 19 | E3960    | Taper compression ring            | -   | 1     | 1     |
| 20 | E3961    | Oil control ring...               | -   | 1     | 1     |
| 15 | E1750    | Gudgeon pin                       | -   | 1     | 1     |
| 16 | E1767    | Circlip                           | -   | 2     | 2     |
| 21 | E4453    | Key                               | 1   | 1     | 1     |
| 22 | E5260    | Distributor drive gear            | 1   | 1     | 1     |
| 23 | E4451    | Timing pinion                     | 1   | 1     | 1     |
| 24 | F2725    | Nut                               | 1   | 1     | 1     |
| 25 | E4698    | Oil pump drive shaft              | 1   | 1     | 1     |
| 26 | E4693    | Oil pump shaft bush               | 1   | 1     | 1     |
| 27 | E3185    | Camshaft pinion                   | 1   | 1     | 1     |
| 28 | E3184    | Camshaft key                      | 1   | 1     | 1     |
| 29 | E4869    | Camshaft c/w peg                  | 1   | -     | -     |
| 29 | E4870    | Camshaft c/w peg                  | -   | 1     | 1     |
| 30 | E3285    | Tappet...                         | 2   | 2     | 2     |
| 31 | E3152    | Main bearing ...                  | 2   | 2     | 2     |
| 32 | E3379    | Oil seal                          | 1   | 1     | 1     |
| 33 | E3912    | Engine sprocket (19 teeth Duplex) | 1   | 1     | 1     |
| 34 | E4458    | Spacing washer                    | 1   | -     | 1     |
| 35 | E4455    | Key                               | 1   | 1     | 1     |
| 36 | E4454    | Adaptor sleeve                    | 1   | 1     | 1     |
| 37 | 54213903 | Rotor, RM18                       | 1   | -     | 1     |
| 37 | 54213901 | Rotor, RM19                       | -   | 1     | -     |
| 38 | E4058    | Tab washer                        | 1   | -     | 1     |
| 39 | E3971    | Nut                               | 1   | -     | 1     |
| 40 | E3975    | Tab washer                        | -   | 1     | -     |
| 41 | E4503    | Nut                               | -   | 1     | -     |

† Note: Export models T20SC and TR20 use CP141

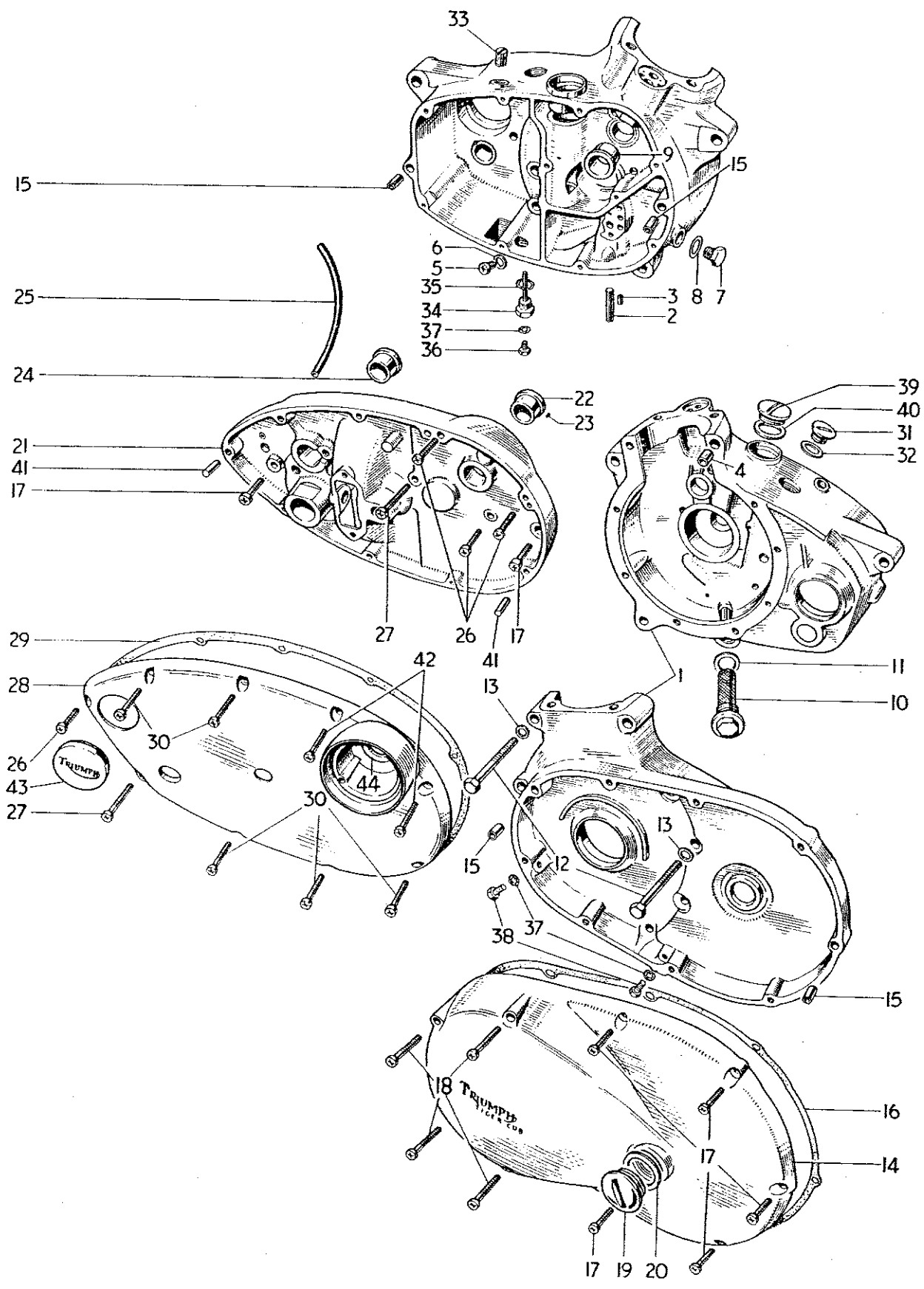


Fig. 2. CRANKCASE



**CRANKCASE**

|    |            |   |     |     |     |     |     |     |     | T20 | T20SS | T20SH |
|----|------------|---|-----|-----|-----|-----|-----|-----|-----|-----|-------|-------|
| 1  | E4087/4668 | CRANKCASE                                   | ... | ... | ... | ... | ... | ... | ... | 1   | 1     | 1     |
| 2  | E3171      | Oil junction block stud                     | ... | ... | ... | ... | ... | ... | ... | 1   | 1     | 1     |
| 3  | E3169      | Oil junction block dowel                    | ... | ... | ... | ... | ... | ... | ... | 1   | 1     | 1     |
| 4  | E4121      | Hollow dowel                                | ... | ... | ... | ... | ... | ... | ... | 1   | 1     | 1     |
| 5  | T1553      | Screwed plug ( $\frac{3}{8}$ in. U.H.)      | ... | ... | ... | ... | ... | ... | ... | 1   | 1     | 1     |
| 6  | E2441      | Copper washer                               | ... | ... | ... | ... | ... | ... | ... | 1   | 1     | 1     |
| 7  | E2615      | Screwed plug                                | ... | ... | ... | ... | ... | ... | ... | 1   | 1     | 1     |
| 8  | E1335      | Copper washer                               | ... | ... | ... | ... | ... | ... | ... | 1   | 1     | 1     |
| 9  | E3175      | Camshaft bush                               | ... | ... | ... | ... | ... | ... | ... | 1   | 1     | 1     |
| 10 | E5456      | Crankshaft filter                           | ... | ... | ... | ... | ... | ... | ... | 1   | 1     | 1     |
| 11 | E2570      | Fibre washer                                | ... | ... | ... | ... | ... | ... | ... | 9   | 9     | 9     |
| 12 | E4098      | Bolt ( $1\frac{7}{8}$ in. U.H.)             | ... | ... | ... | ... | ... | ... | ... | 9   | 9     | 9     |
| 13 | S25-3      | Plain washer                                | ... | ... | ... | ... | ... | ... | ... | 1   | 1     | 1     |
| 14 | E4089      | Left outer cover                            | ... | ... | ... | ... | ... | ... | ... | 4   | 4     | 4     |
| 15 | T989       | Hollow dowel                                | ... | ... | ... | ... | ... | ... | ... | 1   | 1     | 1     |
| 16 | E4871      | Joint washer                                | ... | ... | ... | ... | ... | ... | ... | 7   | 7     | 7     |
| 17 | E3204      | Screw (1 in. U.H.)                          | ... | ... | ... | ... | ... | ... | ... | 4   | 4     | 4     |
| 18 | E4096      | Screw ( $2\frac{3}{8}$ in. U.H.)            | ... | ... | ... | ... | ... | ... | ... | 1   | 1     | 1     |
| 19 | E732       | Filler plug                                 | ... | ... | ... | ... | ... | ... | ... | 1   | 1     | 1     |
| 20 | NE507      | Fibre washer                                | ... | ... | ... | ... | ... | ... | ... | 1   | 1     | 1     |
| 21 | E4787      | RIGHT INNER COVER                           | ... | ... | ... | ... | ... | ... | ... | 1   | 1     | 1     |
| 22 | E4666      | Camshaft bush                               | ... | ... | ... | ... | ... | ... | ... | 1   | 1     | 1     |
| 23 | E3172      | Peg   | ... | ... | ... | ... | ... | ... | ... | 1   | 1     | 1     |
| 24 | T1147      | Mainshaft bush                              | ... | ... | ... | ... | ... | ... | ... | 1   | 1     | 1     |
| 25 | F3775      | Breather pipe                               | ... | ... | ... | ... | ... | ... | ... | 4   | 4     | 4     |
| 26 | E3220      | Screw ( $1\frac{1}{8}$ in. U.H.)            | ... | ... | ... | ... | ... | ... | ... | 2   | 2     | 2     |
| 27 | E3221      | Screw ( $1\frac{1}{8}$ in. U.H.)            | ... | ... | ... | ... | ... | ... | ... | 1   | 1     | 1     |
| 28 | E4637      | Right outer cover                           | ... | ... | ... | ... | ... | ... | ... | 1   | 1     | 1     |
| 29 | E4872      | Joint washer                                | ... | ... | ... | ... | ... | ... | ... | 7   | 7     | 7     |
| 30 | E3231      | Screw ( $1\frac{3}{8}$ in. U.H.)            | ... | ... | ... | ... | ... | ... | ... | 1   | 1     | 1     |
| 31 | T1599      | Filler plug                                 | ... | ... | ... | ... | ... | ... | ... | 1   | 1     | 1     |
| 32 | E1465      | Fibre washer                                | ... | ... | ... | ... | ... | ... | ... | 1   | 1     | 1     |
| 33 | E4048      | Blanking plug                               | ... | ... | ... | ... | ... | ... | ... | 1   | 1     | 1     |
| 34 | T1112      | Drain plug (with level tube)                | ... | ... | ... | ... | ... | ... | ... | 1   | 1     | 1     |
| 35 | T1257      | Fibre washer                                | ... | ... | ... | ... | ... | ... | ... | 1   | 1     | 1     |
| 36 | T361       | Level plug                                  | ... | ... | ... | ... | ... | ... | ... | 3   | 3     | 3     |
| 37 | WE170      | Fibre washer                                | ... | ... | ... | ... | ... | ... | ... | 2   | 2     | 2     |
| 38 | DS57       | Screwed plug                                | ... | ... | ... | ... | ... | ... | ... | 1   | 1     | 1     |
| 39 | E4587      | Blanking plug                               | ... | ... | ... | ... | ... | ... | ... | 1   | 1     | 1     |
| 40 | E4593      | Fibre washer                                | ... | ... | ... | ... | ... | ... | ... | 2   | 2     | 2     |
| 41 | E4172      | Hollow dowel                                | ... | ... | ... | ... | ... | ... | ... | 2   | 2     | 2     |
| 42 | E4638      | Outer cover screw ( $\frac{5}{8}$ in. U.H.) | ... | ... | ... | ... | ... | ... | ... | 1   | 1     | 1     |
| 43 | H1466      | Clutch cable access grommet                 | ... | ... | ... | ... | ... | ... | ... | 1   | 1     | 1     |
| 44 | E4568      | Oil seal                                    | ... | ... | ... | ... | ... | ... | ... | 1   | 1     | 1     |

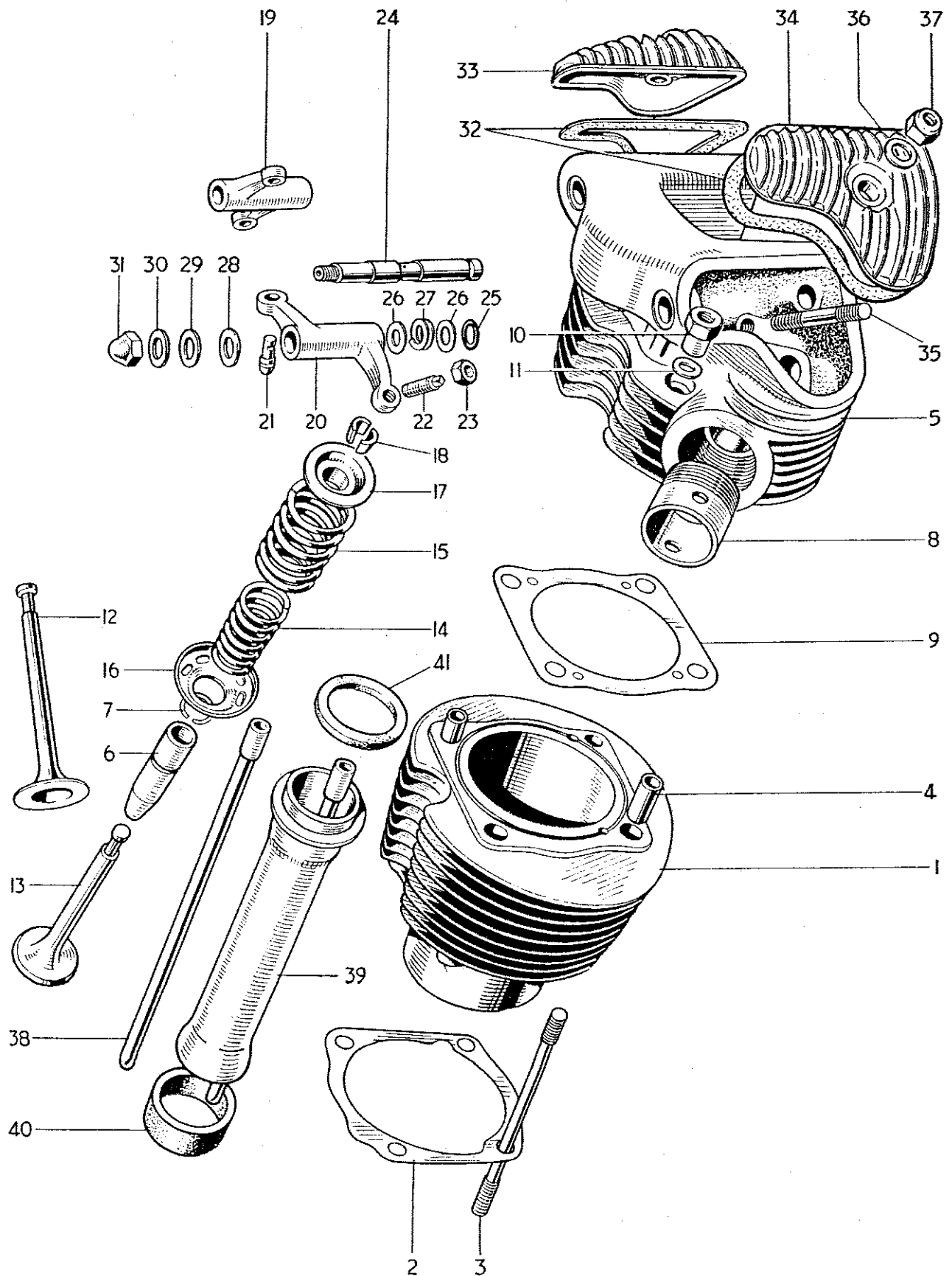


Fig. 3. CYLINDER BARREL AND HEAD

**CYLINDER BARREL AND HEAD**

|    |        |  | T20 | T20SS | T20SH |
|----|--------|--|-----|-------|-------|
| 1  | E3385  | Cylinder Barrel ... ..   | 1   | 1     | 1     |
| 2  | E4037  | Cylinder base washer ... ..  | 1   | 1     | 1     |
| 3  | E3170  | Crankcase to cylinder head stud (4 $\frac{1}{32}$ in. O.A.) ... .. | 4   | 4     | 4     |
| 4  | E3386  | Cylinder head dowel ... ..   | 2   | 2     | 2     |
| 5  | E4049A | CYLINDER HEAD C/W GUIDES ... ..                                    | 1   | 1     | 1     |
| 6  | E3208  | Valve guide ... ..   | 2   | 2     | 2     |
| 7  | E3209  | Valve guide circlip ... ..   | 2   | 2     | 2     |
| 8  | E3207  | Exhaust pipe adaptor ... ..  | 1   | 1     | 1     |
| 9  | E3217  | Cylinder head gasket ... ..  | 1   | 1     | 1     |
| 10 | E4103  | Nut ... ..   | 4   | 4     | 4     |
| 11 | E3446  | Plain washer ... ..  | 4   | 4     | 4     |
| 12 | E3963  | Inlet valve ... ..   | 1   | 1     | 1     |
| 13 | E3147  | Exhaust valve ... ..   | 1   | 1     | 1     |
| 14 | E3214  | Inner valve spring ... ..  | 2   | -     | -     |
| 14 | E3965  | Inner valve spring (red) ... ..                                    | -   | 2     | 2     |
| 15 | E3215  | Outer valve spring ... ..  | 2   | -     | -     |
| 15 | E3966  | Outer valve spring (red) ... ..                                    | -   | 2     | 2     |
| 16 | E3213  | Bottom cup ... ..  | 2   | -     | -     |
| 16 | E3964  | Bottom cup ... ..  | -   | 2     | 2     |
| 17 | E3301  | Top collar ... ..  | 2   | 2     | 2     |
| 18 | WE259A | Split cotter ... ..  | 4   | 4     | 4     |
| 19 | E3251  | INLET ROCKER ... ..  | 1   | 1     | 1     |
| 20 | E3252  | EXHAUST ROCKER ... ..  | 1   | 1     | 1     |
| 21 | E3222  | Rocker ball pin ... ..   | 2   | 2     | 2     |
| 22 | E3223  | Adjuster pin ... ..  | 2   | 2     | 2     |
| 23 | GS662  | Nut ... ..   | 2   | 2     | 2     |
| 24 | E3225  | Rocker spindle ... ..  | 2   | 2     | 2     |
| 25 | E3253  | Sealing ring ... ..  | 2   | 2     | 2     |
| 26 | E2534  | Thrust washer $\frac{7}{16}$ in. ... ..                            | 4   | 4     | 4     |
| 27 | E3224  | Thackeray washer ... ..  | 2   | 2     | 2     |
| 28 | E2594  | Thrust washer $\frac{3}{8}$ in. ... ..                             | 2   | 2     | 2     |
| 29 | E1335  | Copper washer $\frac{3}{8}$ in. ... ..                             | 2   | 2     | 2     |
| 30 | E3249  | Copper washer $\frac{5}{16}$ in. ... ..                            | 2   | 2     | 2     |
| 31 | H400   | Domed nut ... ..   | 2   | 2     | 2     |
| 32 | E3226  | Joint washer ... ..  | 2   | 2     | 2     |
| 33 | E4648  | Inlet rocker cover ... ..  | 1   | 1     | 1     |
| 34 | E4649  | Exhaust rocker cover ... ..  | 1   | 1     | 1     |
| 35 | E3210  | Stud (2 $\frac{5}{32}$ in. O.A.) ... ..                            | 2   | 2     | 2     |
| 36 | E2441  | Copper washer ... ..   | 2   | 2     | 2     |
| 37 | E3290  | Self-locking nut ... ..  | 2   | 2     | 2     |
| 38 | E3372  | Push rod ... ..  | 2   | 2     | 2     |
| 39 | E3537  | Cover tube ... ..  | 1   | 1     | 1     |
| 40 | E3391  | Lower joint washer ... ..  | 1   | 1     | 1     |
| 41 | E3540  | Upper joint washer ... ..  | 1   | 1     | 1     |

OIL PUMP ASSEMBLY REF. N° 1

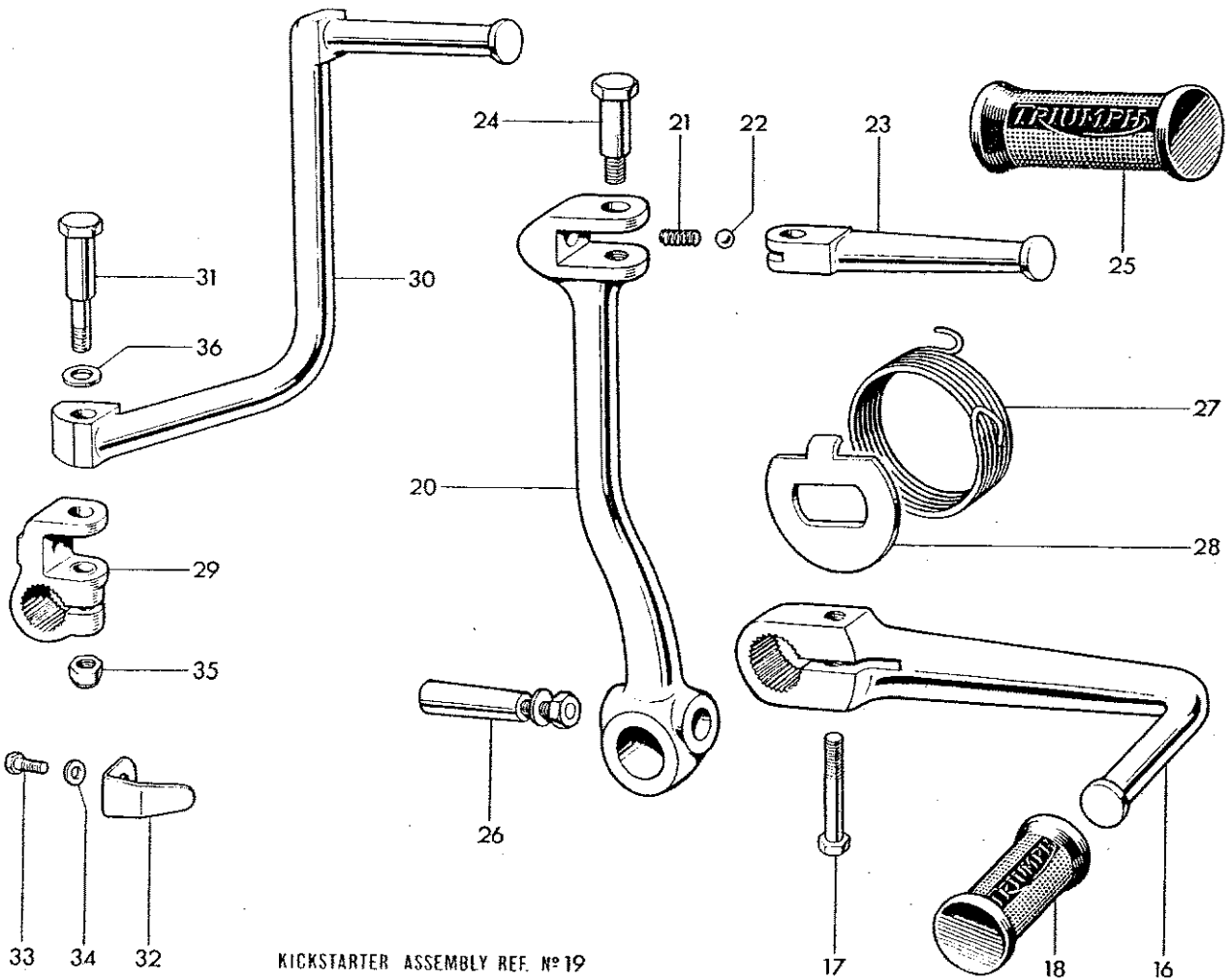
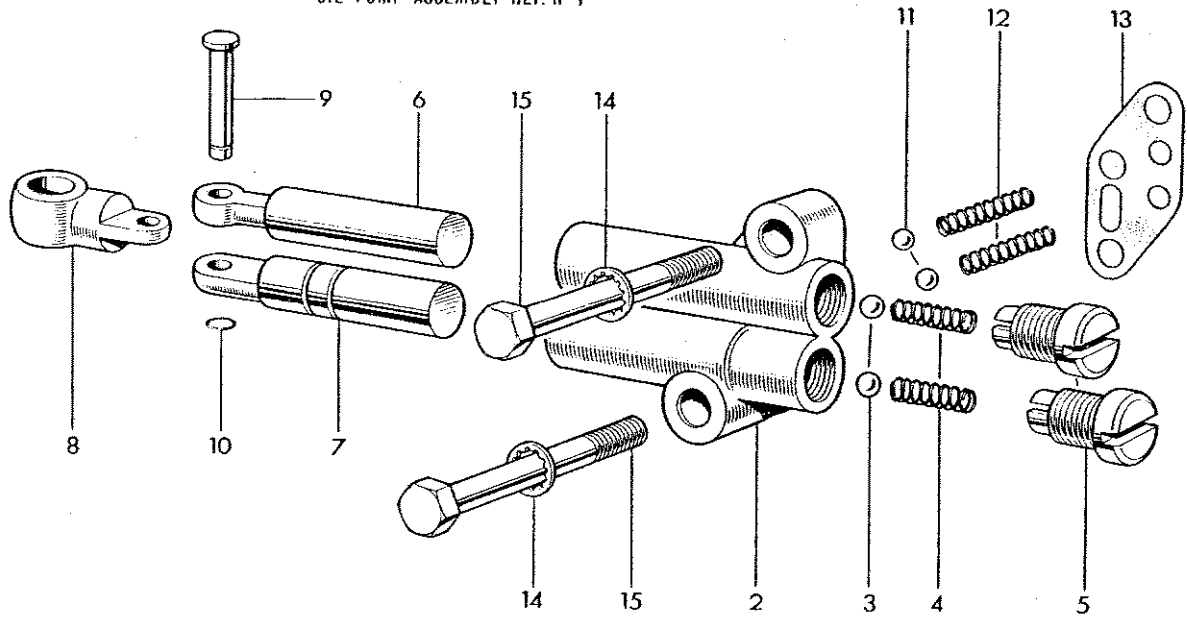


Fig. 4. OIL PUMP AND CONTROL PEDALS

**OIL PUMP AND CONTROL PEDALS**

|    |        |   | T20 | T20SS | T20SH |
|----|--------|---|-----|-------|-------|
| 1  | E4402  | OIL PUMP ASSEMBLY ... ..                                | 1   | 1     | 1     |
| 2  | E4403  | Pump body ... ..  | 1   | 1     | 1     |
| 3  | S70-4  | Steel ball ( $\frac{3}{16}$ in. diam.) ... ..           | 2   | 2     | 2     |
| 4  | E4404  | Spring ... ..   | 2   | 2     | 2     |
| 5  | E4212  | Plug ... ..   | 2   | 2     | 2     |
| 6  | E4210  | Feed plunger ... ..                                     | 2   | 2     | 2     |
| 7  | E4211  | Scavenge plunger ... ..                                 | 1   | 1     | 1     |
| 8  | E3195  | Connecting rod ... ..                                   | 1   | 1     | 1     |
| 9  | E3412  | Pin ... ..  | 1   | 1     | 1     |
| 10 | E3413  | Circlip ... ..  | 1   | 1     | 1     |
| 11 | T1124  | Auxiliary valve ball ( $\frac{5}{32}$ in. diam.) ... .. | 2   | 2     | 2     |
| 12 | E4404  | Spring ... ..   | 2   | 2     | 2     |
| 13 | E3188  | Joint washer ... ..                                     | 1   | 1     | 1     |
| 14 | GS299  | Serrated washer ... ..                                  | 2   | 2     | 2     |
| 15 | E3197  | Bolt ( $\frac{13}{16}$ in. U.H.) ... ..                 | 2   | 2     | 2     |
| 16 | T1164  | Gearchange pedal ... ..                                 | 1   | 1     | 1     |
| 17 | F1369  | Bolt ( $\frac{5}{8}$ in. U.H.) ... ..                   | 1   | 1     | 1     |
| 18 | T449   | Pedal rubber ... ..                                     | 1   | 1     | 1     |
| 19 | T1679  | KICKSTARTER ASSEMBLY ... ..                             | 1   | -     | -     |
| 20 | T1680  | Crank ... ..  | 1   | -     | -     |
| 21 | T1167  | Spring ... ..   | 1   | -     | -     |
| 22 | S70-3  | Steel ball ( $\frac{1}{4}$ in. diam.) ... ..            | 1   | -     | -     |
| 23 | T1168  | Pedal ... ..  | 1   | -     | -     |
| 24 | T1169  | Pivot bolt ... ..                                       | 1   | -     | -     |
| 25 | †F1814 | Pedal rubber ... ..                                     | 1   | 1     | 1     |
| 26 | T1222  | Cotter pin c/w nut and washer ... ..                    | 1   | -     | -     |
| 27 | T1162  | Kickstarter return spring ... ..                        | 1   | 1     | 1     |
| 28 | T1163  | Return spring plate ... ..                              | 1   | 1     | 1     |
| 29 | T1997  | Kickstarter carrier ... ..                              | -   | 1     | 1     |
| 30 | T2008  | Kickstarter pedal ... ..                                | -   | 1     | 1     |
| 31 | T2001  | Pivot bolt ... ..                                       | -   | 1     | 1     |
| 32 | T2002  | Spring ... ..   | -   | 1     | 1     |
| 33 | DS57   | Bolt ( $\frac{7}{16}$ in. U.H.) ... ..                  | -   | 1     | 1     |
| 34 | S25-13 | Plain washer ... ..                                     | -   | 1     | 1     |
| 35 | W1058  | Self-locking nut ... ..                                 | -   | 1     | 1     |
| 36 | E3446  | Plain washer ... ..                                     | -   | 1     | 1     |

† F5468 Pedal rubber for sports models

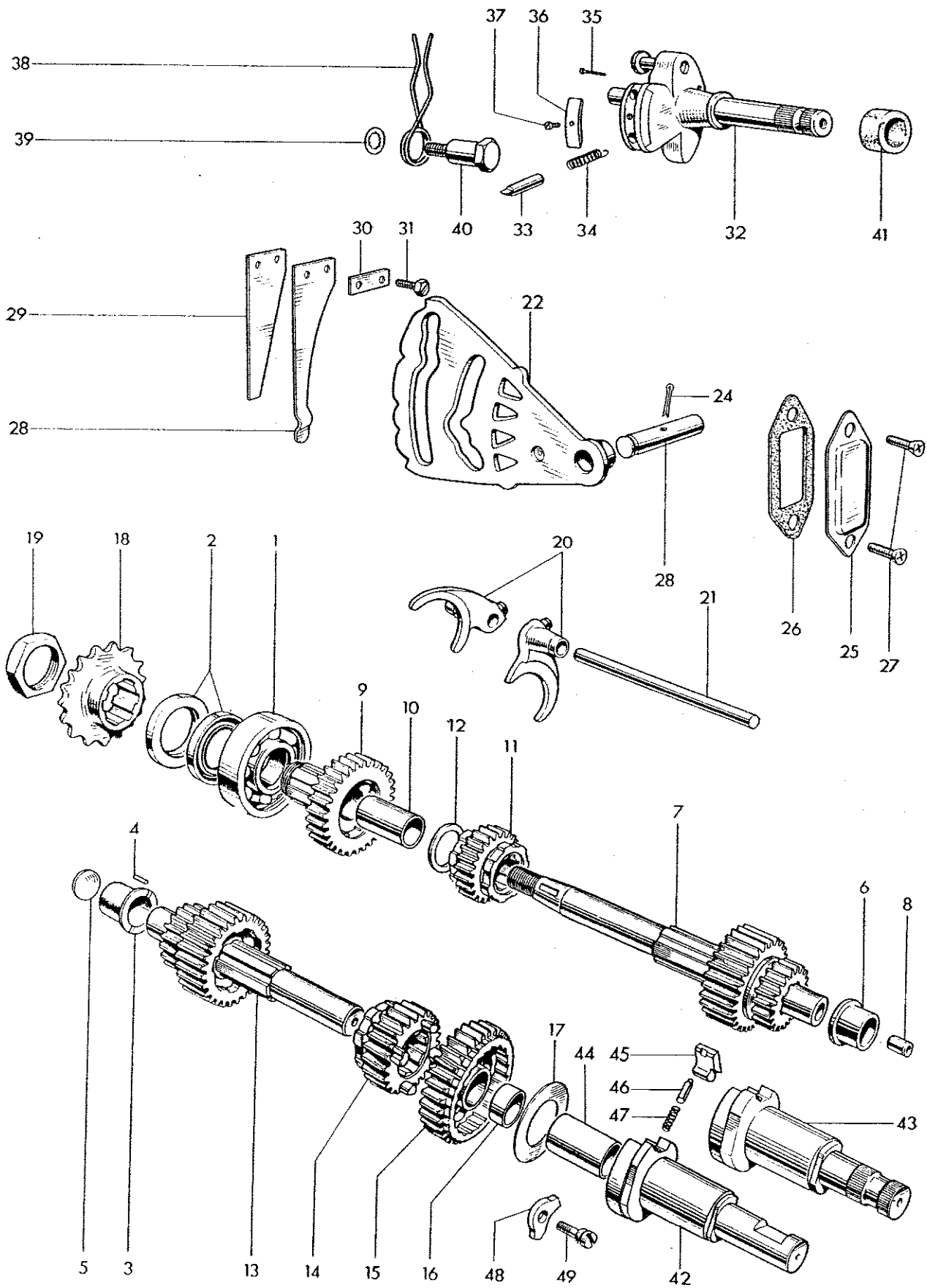


Fig. 5. GEARBOX SHAFTS AND GEARS

### GEARBOX SHAFTS AND GEARS

|    |  |  | T20 | T20SS | T20SH |
|----|--|--|-----|-------|-------|
| 1  | T1070                                  | High gear bearing ... ..               | 1   | 1     | 1     |
| 2  | H1168                                  | Oil seal ... ..                        | 2   | 2     | 2     |
| 3  | T1073                                  | Layshaft bearing bush ... ..           | 1   | 1     | 1     |
| 4  | E3172                                  | Peg ... ..                             | 1   | 1     | 1     |
| 5  | T1269                                  | Blanking disc ... ..                   | 1   | 1     | 1     |
| 6  | T1147                                  | Mainshaft bush ... ..                  | 1   | 1     | 1     |
| 7  | T1588                                  | MAINSHAFT CLUSTER ... ..               | 1   | 1     | 1     |
| 8  | T1085                                  | Clutch rod bush ... ..                 | 1   | 1     | 1     |
| 9  | T1514                                  | HIGH GEAR (28T) Std. ... ..            | 1   | -     | -     |
| 9  | T1565                                  | HIGH GEAR (27T) C.R. ... ..            | -   | 1     | 1     |
| 10 | T1515                                  | High gear bush ... ..                  | 1   | 1     | 1     |
| 11 | T1089                                  | Mainshaft second gear ... ..           | 1   | 1     | 1     |
| 12 | T1090                                  | Mainshaft thrust ring ... ..           | 1   | 1     | 1     |
| 13 | T1591                                  | Layshaft cluster (17T) Std. ... ..     | 1   | -     | -     |
| 13 | T1594                                  | Layshaft cluster (18T) C.R. ... ..     | -   | 1     | 1     |
| 14 | T1094                                  | Layshaft third gear ... ..             | 1   | 1     | 1     |
| 15 | T1095                                  | LAYSHAFT LOW GEAR ... ..               | 1   | 1     | 1     |
| 16 | T1097                                  | Low gear bush ... ..                   | 1   | 1     | 1     |
| 17 | T1274                                  | Pawl retaining disc ... ..             | 1   | 1     | 1     |
| 18 | †T1513/17                              | Gearbox sprocket (17 teeth) ... ..     | 1   | 1     | 1     |
| 19 | T1082                                  | Sprocket nut ... ..                    | 1   | 1     | 1     |
| 20 | T1098                                  | Selector fork ... ..                   | 2   | 2     | 2     |
| 21 | T1102                                  | Selector fork spindle ... ..           | 1   | 1     | 1     |
| 22 | T1066                                  | Camplate ... ..                        | 1   | 1     | 1     |
| 23 | T1069                                  | Camplate spindle ... ..                | 1   | 1     | 1     |
| 24 | $\frac{3}{32}$ in. x $\frac{3}{4}$ in. | Split pin ... ..                       | 1   | 1     | 1     |
| 25 | T1149                                  | Cover plate ... ..                     | 1   | 1     | 1     |
| 26 | T1148                                  | Joint washer ... ..                    | 1   | 1     | 1     |
| 27 | T1150                                  | Screw (0.41 in. U.H.) ... ..           | 2   | 2     | 2     |
| 28 | T1248                                  | Index spring ... ..                    | 1   | 1     | 1     |
| 29 | T1249                                  | Supplementary index spring ... ..      | 1   | 1     | 1     |
| 30 | T1180                                  | Lockplate ... ..                       | 1   | 1     | 1     |
| 31 | T1076                                  | Screw ( $\frac{3}{8}$ in. U.H.) ... .. | 2   | 2     | 2     |
| 32 | T1673                                  | GEARCHANGE QUADRANT ... ..             | 1   | 1     | 1     |
| 33 | T1184                                  | Plunger ... ..                         | 2   | 2     | 2     |
| 34 | T1278                                  | Spring ... ..                          | 2   | 2     | 2     |
| 35 | T1277                                  | Peg ... ..                             | 2   | 2     | 2     |
| 36 | T1675                                  | Keeper plate ... ..                    | 1   | 1     | 1     |
| 37 | T1676                                  | Screw ... ..                           | 1   | 1     | 1     |
| 38 | T1109                                  | Return spring ... ..                   | 1   | 1     | 1     |
| 39 | E2287                                  | Serrated washer ... ..                 | 1   | 1     | 1     |
| 40 | T1077                                  | Bolt ... ..                            | 1   | 1     | 1     |
| 41 | T1181                                  | Felt washer ... ..                     | 1   | 1     | 1     |

(continued on page 25)

† TR20 uses T1513/16 (16T)  
For alternative sprockets see Page 11

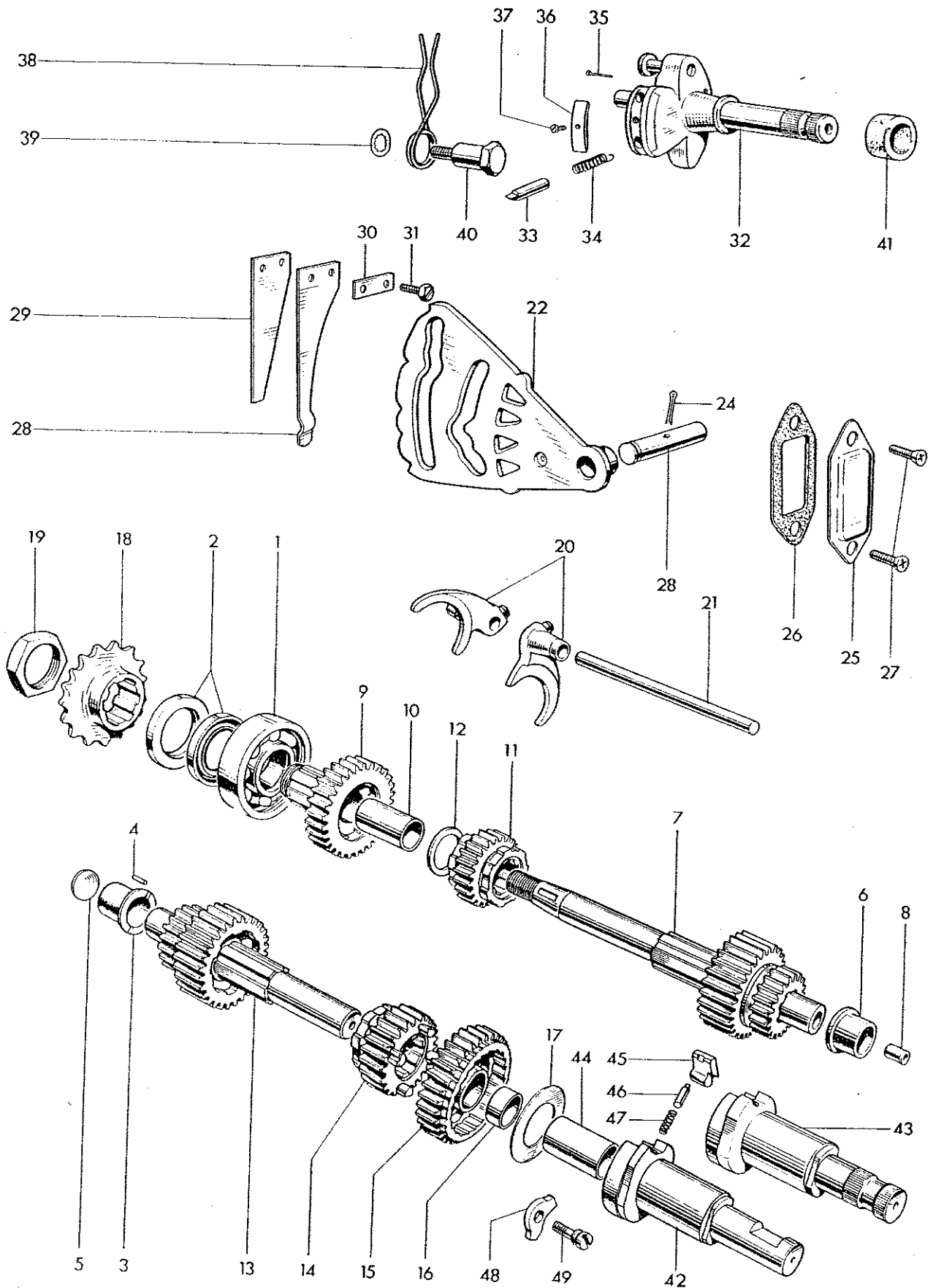


Fig. 5. GEARBOX SHAFTS AND GEARS



**GEARBOX SHAFTS AND GEARS—(continued)**

|    |       |                     |     |     |     |     |     |     | T20 | T20SS | T20SH |
|----|-------|---------------------|-----|-----|-----|-----|-----|-----|-----|-------|-------|
| 42 | T1279 | KICKSTARTER SPINDLE | ... | ... | ... | ... | ... | ... | 1   | -     | -     |
| 43 | T2003 | KICKSTARTER SPINDLE | ... | ... | ... | ... | ... | ... | -   | 1     | 1     |
| 44 | T1118 | Bush                | ... | ... | ... | ... | ... | ... | 1   | 1     | 1     |
| 45 | T1281 | Pawl                | ... | ... | ... | ... | ... | ... | 1   | 1     | 1     |
| 46 | T1282 | Plunger             | ... | ... | ... | ... | ... | ... | 1   | 1     | 1     |
| 47 | T1161 | Spring              | ... | ... | ... | ... | ... | ... | 1   | 1     | 1     |
| 48 | T1157 | Stop plate          | ... | ... | ... | ... | ... | ... | 1   | 1     | 1     |
| 49 | T1158 | Screw               | ... | ... | ... | ... | ... | ... | 1   | 1     | 1     |

**EXTRA CLOSE RATIO GEARS**

|    |       |                              |                               |                      |         |
|----|-------|------------------------------|-------------------------------|----------------------|---------|
| 7  | T1819 | Mainshaft cluster (E.C.R.)   | } Extra close ratio gear set. | } Fitted to:- Export | } T20SR |
| 9  | T1652 | Mainshaft high gear (E.C.R.) |                               |                      |         |
| 11 | T1089 | Mainshaft second gear (Std.) |                               |                      |         |
| 13 | T1657 | Layshaft cluster (E.C.R.)    |                               |                      |         |
| 14 | T1659 | Layshaft third gear (E.C.R.) |                               |                      |         |
| 15 | T1095 | Layshaft low gear (Std.)     |                               |                      |         |

**WIDE RATIO GEARS**

|    |       |                              |   |
|----|-------|------------------------------|---|
| 7  | T1588 | Mainshaft cluster (Std.)     | } Wide ratio gear set as fitted to:- Export T20SC (T20SM) |
| 9  | T1596 | Mainshaft high gear (W.R.)   |   |
| 11 | T1089 | Mainshaft second gear (Std.) |   |
| 13 | T1728 | Layshaft cluster (W.R.)      |   |
| 14 | T1094 | Layshaft third gear (Std.)   |   |
| 15 | T1095 | Layshaft low gear (Std.)     |   |

OPERATING LEVER ASSEMBLY REF. N° 1  
 CLUTCH COMPLETE REF. N° 13

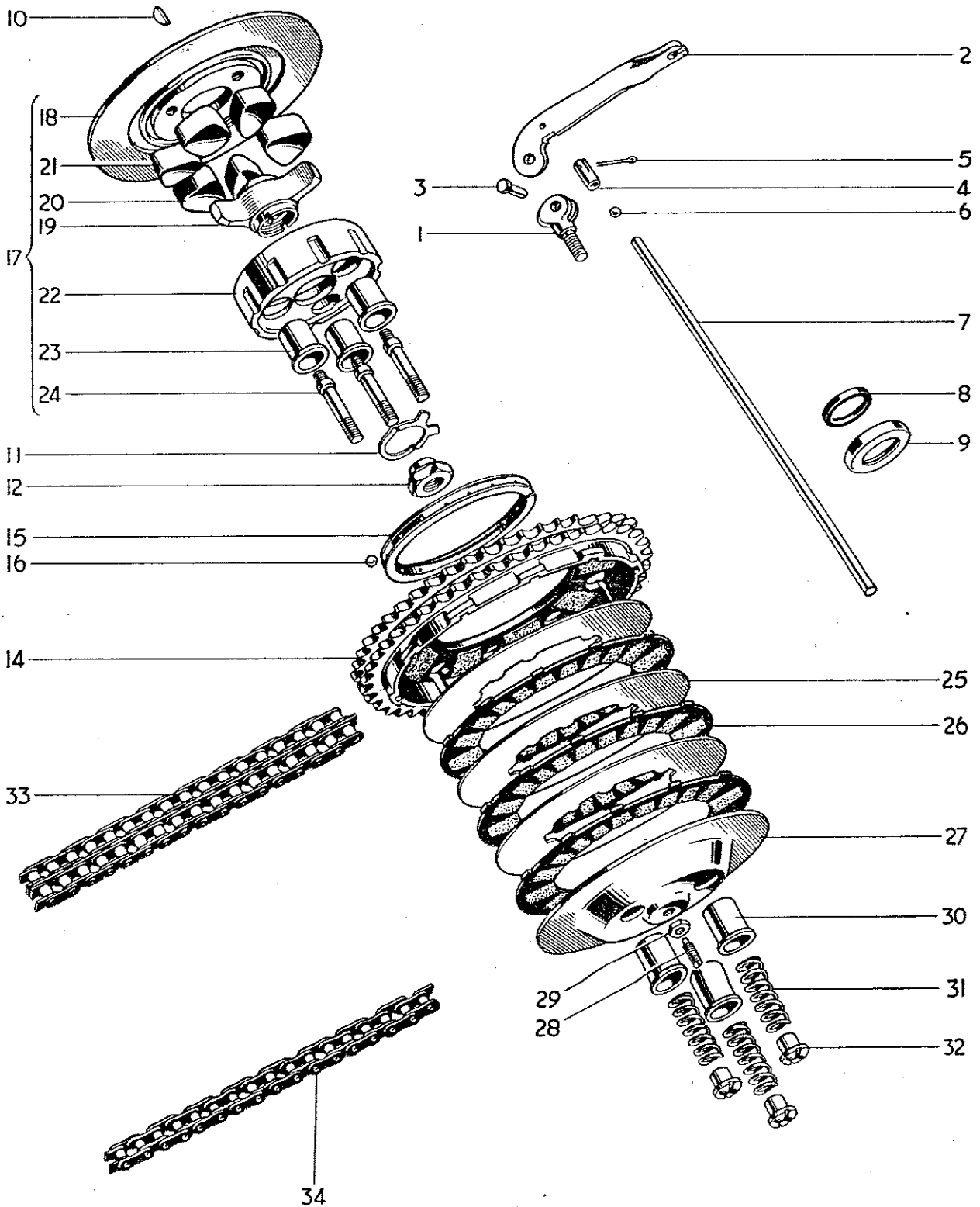


Fig. 6. CLUTCH AND CHAINS

### CLUTCH AND CHAINS

|    |                                       |   | T20 | T20SS | T20SH |
|----|---------------------------------------|---|-----|-------|-------|
| 1  | T1233                                 | CLUTCH OPERATING LEVER ASSEMBLY ... ..  | 1   | 1     | 1     |
| 2  | T1235                                 | Lever ... ..  | 1   | 1     | 1     |
| 3  | T1236                                 | Pin ... ..  | 1   | 1     | 1     |
| 4  | T1155                                 | Cup ... ..  | 1   | 1     | 1     |
| 5  | $\frac{1}{16} \times \frac{3}{8}$ in. | Split pin ... ..  | 1   | 1     | 1     |
| 6  | T1124                                 | Steel ball ( $\frac{5}{32}$ in. diam.) ... ..   | 1   | 1     | 1     |
| 7  | T1140                                 | Clutch operating rod ... ..   | 1   | 1     | 1     |
| 8  | E3932                                 | Mainshaft oil seal ... ..   | 1   | 1     | 1     |
| 9  | E3933                                 | Oil seal retainer ... ..  | 1   | 1     | 1     |
| 10 | T1119                                 | Key ... ..  | 1   | 1     | 1     |
| 11 | T1347                                 | Tab washer ... ..   | 1   | 1     | 1     |
| 12 | T1348                                 | Nut ... ..  | 1   | 1     | 1     |
| 13 | T1924                                 | CLUTCH COMPLETE ... ..  | 1   | 1     | 1     |
| 14 | T1509                                 | Sprocket and housing (48 teeth) ... ..  | 1   | 1     | 1     |
| 15 | T1264                                 | Bearing ring ... ..   | 1   | 1     | 1     |
| 16 | T1124                                 | Steel ball ( $\frac{5}{32}$ in. diam.) ... ..   | 16  | 16    | 16    |
| 17 | T1667                                 | SHOCK ABSORBER ... ..   | 1   | 1     | 1     |
| 18 | T1668                                 | Back plate ... ..   | 1   | 1     | 1     |
| 19 | T1346                                 | Spider ... ..   | 1   | 1     | 1     |
| 20 | T1132                                 | Drive rubber (large) ... ..   | 3   | 3     | 3     |
| 21 | T1318                                 | Rebound rubber (small) ... ..   | 3   | 3     | 3     |
| 22 | T1314                                 | Centre ... ..   | 1   | 1     | 1     |
| 23 | T1669                                 | Cup ... ..  | 3   | 3     | 3     |
| 24 | T1670                                 | Pin ... ..  | 3   | 3     | 3     |
| 25 | T1315                                 | Driven plate ... ..   | 3   | 3     | 3     |
| 26 | T1503                                 | Driving plate c/w linings ... ..  | 3   | 3     | 3     |
| 27 | T1925                                 | Pressure plate ... ..   | 1   | 1     | 1     |
| 28 | T1256                                 | Adjuster ... ..   | 1   | 1     | 1     |
| 29 | GS662                                 | Nut ... ..  | 1   | 1     | 1     |
| 30 | T1927                                 | Cup ... ..  | 3   | 3     | 3     |
| 31 | T1742                                 | Spring ... ..   | 3   | 3     | 3     |
| 32 | T1146                                 | Nut ... ..  | 3   | 3     | 3     |
| 33 | D382                                  | Primary chain ( $\frac{3}{8}$ in. Duplex x 62 links) ... ..                                   | 1   | 1     | 1     |
| 34 | D277                                  | Rear chain ( $\frac{1}{2}$ in. x $\frac{3}{16}$ in. x 112 links) ... ..                       | 1   | -     | -     |
| 34 | †D430                                 | Rear chain ( $\frac{1}{2}$ in. x $\frac{3}{16}$ in. x 113 links) ... ..                       | -   | 1     | 1     |
|    | †D554                                 | Rear chain ( $\frac{1}{2}$ in. x $\frac{3}{16}$ in. x 117 links) with 54 tooth sprocket... .. | -   | A     | -     |
|    | †D467                                 | Rear chain ( $\frac{1}{2}$ in. x $\frac{3}{16}$ in. x 119 links) with 58 tooth sprocket... .. | -   | A     | -     |

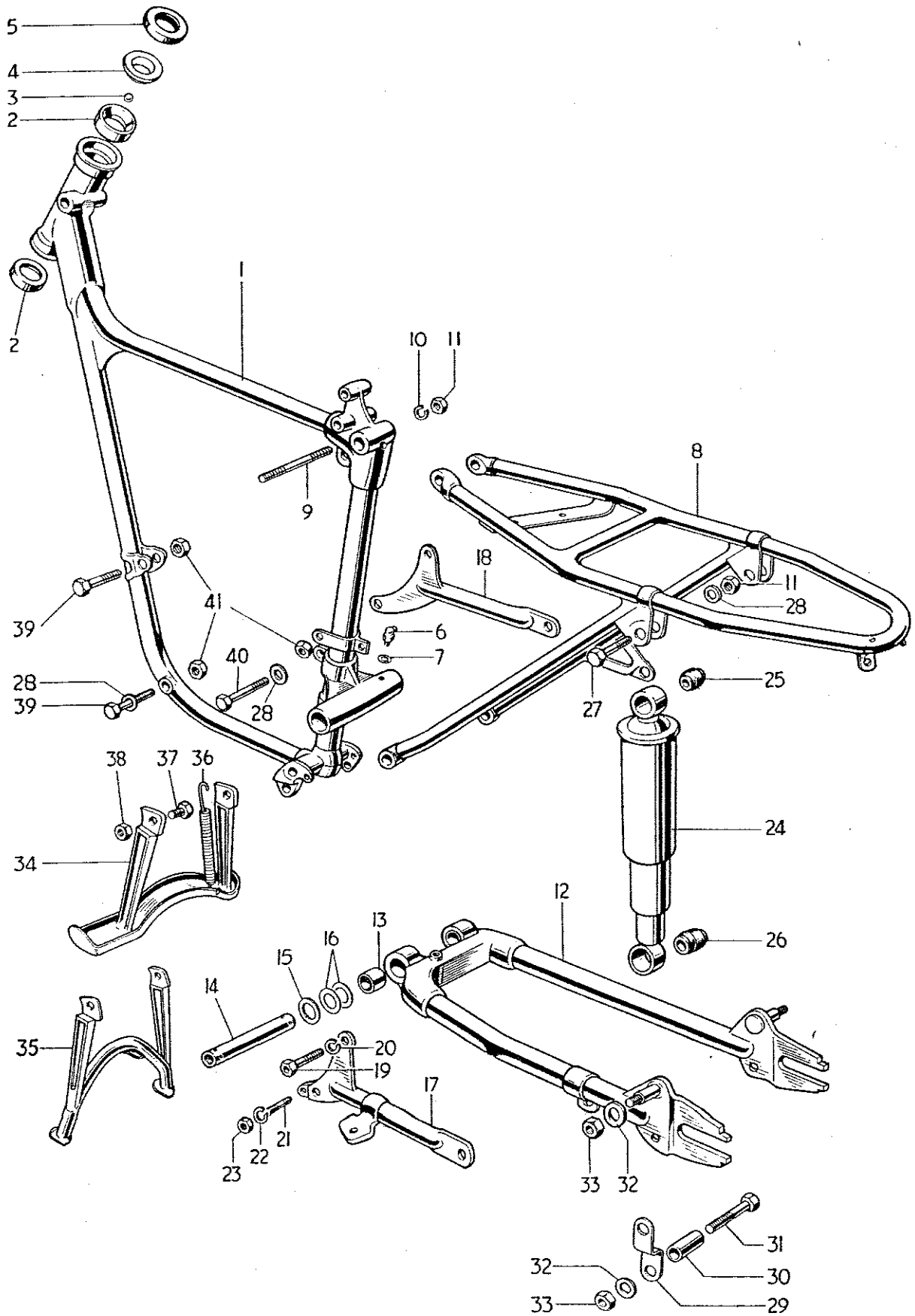


Fig. 7. FRAME COMPLETE

**FRAME COMPLETE**

|    |             |  | T20 | T20SS       | T20SH |
|----|-------------|--|-----|-------------|-------|
| 1  | F4594       | Front frame ... ..                           | 1   | -           | 1     |
| 1  | F5191       | Front frame ... ..                           | -   | 1           | -     |
| 2  | H835        | Steering race cup ... ..                     | 2   | 2           | 2     |
| 3  | S70-3       | Steel ball ( $\frac{1}{4}$ in. diam.) ... .. | 30  | 30          | 30    |
| 4  | H833        | Top cone ... ..                              | 1   | 1           | 1     |
| 5  | H836        | Dust cover ... ..                            | 1   | 1           | 1     |
| 6  | NW100       | Grease nipple ... ..                         | 1   | 1           | 1     |
| 7  | WE170       | Fibre washer ... ..                          | 1   | 1           | 1     |
| 8  | F4051       | Rear frame ... ..                            | 1   | -           | -     |
| 8  | F5164       | Rear frame ... ..                            | -   | 1           | 1     |
| 9  | F4510       | Stud ( $4\frac{3}{8}$ in. O.A.) ... ..       | 1   | -           | -     |
| 9  | E1023       | Stud ( $3\frac{5}{8}$ in. O.A.) ... ..       | -   | 1           | 1     |
| 10 | S26-1       | Spring washer ... ..                         | 2   | 2           | 2     |
| 11 | P0172A      | Nut ... ..                                   | 4   | 4           | 4     |
| 12 | F6192       | SWINGING FORK                                | 1   | 1           | 1     |
| 13 | F4076       | Pivot bush ... ..                            | 2   | 2           | 2     |
| 14 | F4079       | Spindle ... ..                               | 1   | 1           | 1     |
| 15 | F4078       | Spacing washer ... ..                        | 1   | 1           | 1     |
| 16 | F4385       | Shim, 0.003 in. ... ..                       |     | as required |       |
| 16 | F4386       | Shim, 0.005 in. ... ..                       |     | as required |       |
| 17 | F4080       | Left bracket ... ..                          | 1   | -           | -     |
| 17 | †F4278      | Left bracket ... ..                          | -   | 1           | 1     |
| 18 | †F4081      | Right bracket... ..                          | 1   | 1           | 1     |
| 19 | F4509       | Bolt ( $1\frac{1}{2}$ in. U.H.) ... ..       | 2   | -           | -     |
| 19 | F4087       | Bolt ( $1\frac{1}{2}$ in. U.H.) ... ..       | -   | 2           | 2     |
| 20 | PCW73A      | Spring washer ... ..                         | 2   | 2           | 2     |
| 21 | E1396       | Stud ( $1\frac{1}{16}$ in. O.A.) ... ..      | 2   | 2           | 2     |
| 22 | S26-3       | Spring washer ... ..                         | 2   | 2           | 2     |
| 23 | S1-51       | Nut ... ..                                   | 2   | 2           | 2     |
| 24 | SC3/204     | SUSPENSION UNIT                              | 2   | -           | 2     |
| 24 | *640/545/23 | SUSPENSION UNIT                              | -   | 2           | -     |
| 25 | 9054/316A   | Bonded bush ... ..                           | 2   | 2           | 2     |
| 26 | 9054/316J   | Bonded bush ... ..                           | 2   | 2           | 2     |
| 27 | F1760       | Bolt ( $1\frac{1}{16}$ in. U.H.) ... ..      | 2   | -           | 2     |
| 27 | E2113       | Bolt ( $1\frac{1}{16}$ in. U.H.) ... ..      | -   | 2           | -     |
| 28 | S25-2       | Washer ... ..                                | 4   | 4           | 4     |
| 29 | F4311       | Bracket ... ..                               | -   | 2           | 2     |
| 30 | F3207       | Spacer ... ..                                | -   | 2           | 2     |
| 31 | H622        | Bolt ( $1\frac{1}{32}$ in. U.H.) ... ..      | -   | 2           | 2     |
| 32 | E1330C      | Plain washer ... ..                          | 2   | 4           | 4     |
| 33 | S1-52       | Nut ... ..                                   | 2   | 4           | 4     |
| 34 | F3763       | Centre stand ... ..                          | 1   | -           | -     |
| 35 | F5041       | Centre stand ... ..                          | -   | 1           | 1     |
| 36 | F3747       | Return spring ... ..                         | 1   | 1           | 1     |
| 37 | F3520       | Pivot bolt ... ..                            | 2   | 2           | 2     |
| 38 | H193        | Nut ... ..                                   | 2   | 2           | 2     |
| 39 | F1245       | Bolt ( $1\frac{5}{16}$ in. U.H.) ... ..      | 2   | 2           | 2     |
| 40 | F3191       | Bolt ( $2\frac{1}{16}$ in. U.H.) ... ..      | 1   | 1           | 1     |
| 41 | F3955       | Self-locking nut ... ..                      | 3   | 3           | 3     |

\* T20SC, TS20 and TR20 use 640/544/41

† TR20 uses F5158 left bracket and F4086 right bracket

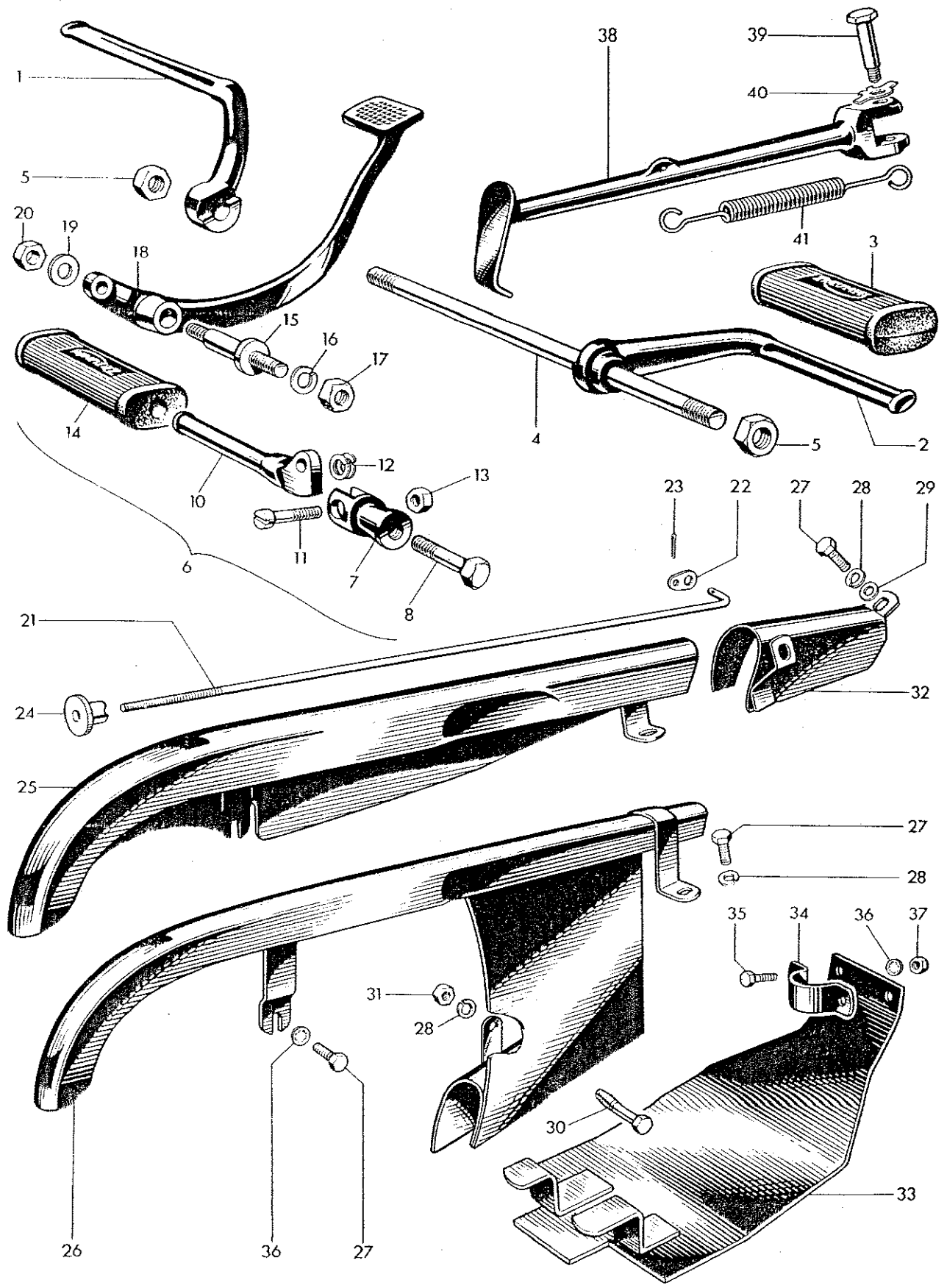


Fig. 8. FOOTRESTS, CHAINGUARD, PROPSTAND, ETC.

**FOOTRESTS, CHAINGUARD, PROPSTAND, ETC.**

|    |                                       |  | T20 | T20SS | T20SH |
|----|---------------------------------------|--|-----|-------|-------|
| 1  | †F4383                                | Left footrest ...                                  | 1   | 1     | 1     |
| 2  | †F3450                                | Right footrest ...                                 | 1   | 1     | 1     |
| 3  | F1695                                 | Pedal rubber ...                                   | 2   | 2     | 2     |
| 4  | F3448                                 | Footrest hanger rod (6 $\frac{3}{4}$ in. O.A.) ... | 1   | 1     | 1     |
| 5  | †H193                                 | Nut ...  | 2   | 2     | 2     |
| 6  | F5552                                 | PILLION FOOTREST ...                               | 2   | 2     | 2     |
| 7  | F2268                                 | Footrest hanger ...                                | 2   | 2     | 2     |
| 8  | F5535                                 | Bolt ( $\frac{1}{8}$ in. U.H.) ...                 | 2   | 2     | 2     |
| 9  | S26-1                                 | Spring washer ...                                  | 2   | 2     | 2     |
| 10 | F1694                                 | Pedal ...  | 2   | 2     | 2     |
| 11 | F2271                                 | Pivot bolt ...                                     | 2   | 2     | 2     |
| 12 | F2277                                 | Spring washer ...                                  | 2   | 2     | 2     |
| 13 | S1-51                                 | Nut ...  | 2   | 2     | 2     |
| 14 | F1695                                 | Pedal rubber ...                                   | 2   | 2     | 2     |
| 15 | F4090                                 | Brake pedal spindle ...                            | 1   | 1     | 1     |
| 16 | S26-1                                 | Spring washer ...                                  | 1   | 1     | 1     |
| 17 | P0172A                                | Nut ...  | 1   | 1     | 1     |
| 18 | F4091                                 | Brake pedal ...                                    | 1   | 1     | 1     |
| 19 | S25-3                                 | Plain washer ...                                   | 1   | 1     | 1     |
| 20 | T224                                  | Nut ...  | 1   | 1     | 1     |
| 21 | †F4093                                | Brake rod ...                                      | 1   | 1     | 1     |
| 22 | F3461                                 | Washer ...   | 1   | 1     | 1     |
| 23 | $\frac{1}{8}$ in. x $\frac{3}{8}$ in. | Split pin ...                                      | 1   | 1     | 1     |
| 24 | F3463                                 | Adjuster nut ...                                   | 1   | 1     | 1     |
| 25 | F4089                                 | Rear chainguard ...                                | 1   | -     | -     |
| 26 | F5053                                 | Rear chainguard ...                                | -   | 1     | 1     |
| 27 | DS57                                  | Bolt ( $\frac{7}{16}$ in. U.H.) ...                | 3   | 2     | 2     |
| 28 | S26-2                                 | Spring washer ...                                  | 3   | 2     | 2     |
| 29 | S25-1                                 | Plain washer ...                                   | 1   | -     | -     |
| 30 | F1369                                 | Bolt ( $\frac{5}{8}$ in. U.H.) ...                 | -   | 1     | 1     |
| 31 | F879                                  | Nut ...  | -   | 1     | 1     |
| 32 | F4152                                 | Front chainguard ...                               | 1   | -     | -     |
| 33 | F4258                                 | Crankcase shield ...                               | -   | 1     | -     |
| 34 | F4260                                 | Clip ...   | -   | 1     | -     |
| 35 | DS57                                  | Bolt ( $\frac{7}{16}$ in. U.H.) ...                | -   | 3     | 1     |
| 36 | E1612                                 | Serrated washer ...                                | -   | 2     | -     |
| 37 | F879                                  | Nut ...  | -   | 2     | -     |
| 38 | F4277                                 | PROP STAND COMPLETE ...                            | 1   | 1     | 1     |
| 39 | F3097                                 | Pivot bolt ...                                     | 1   | 1     | 1     |
| 40 | F3096                                 | Tab washer ...                                     | 1   | 1     | 1     |
| 41 | F2610                                 | Return spring ...                                  | 1   | 1     | 1     |

- † TR20 uses the following:
- 1. F5156 Left footrest 1
  - 2. F5157 Right footrest 1
  - 5. DS47 Nut 2
  - 21. F5161 Brake rod 1

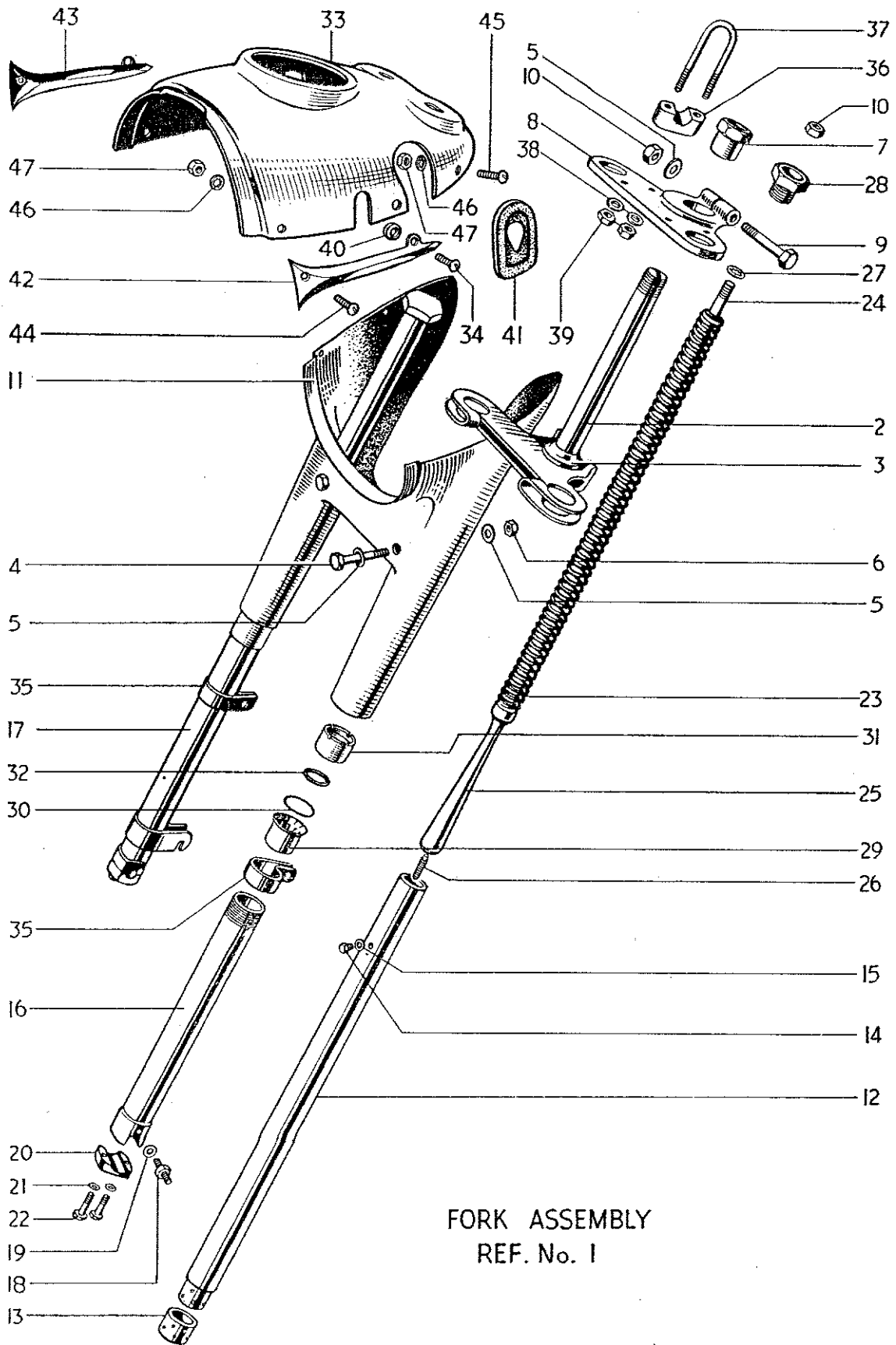


Fig. 9. TELESCOPIC FRONT FORK T20



TELESCOPIC FRONT FORK T20

| Ref. No. | Part No. | DESCRIPTION                                      | QUANTITY |
|----------|----------|--|----------|
|          |          |  | T20      |
|          |          |  | 1        |
| 1        | H1535    | FORK ASSEMBLY ... ..                             | 1        |
| 2        | H1231    | Middle lug and stem ... ..                       | 1        |
| 3        | H833     | Bottom cone ... ..                               | 2        |
| 4        | H834     | Pinch bolt (2 $\frac{3}{8}$ in. U.H.) ... ..     | 5        |
| 5        | S25-3    | Plain washer ... ..                              | 2        |
| 6        | H518     | Nut ... ..                                       | 1        |
| 7        | H840     | Fork stem sleeve nut ... ..                      | 1        |
| 8        | H837     | Top lug ... ..                                   | 1        |
| 9        | H570     | Pinch bolt (2 $\frac{1}{8}$ in. U.H.) ... ..     | 3        |
| 10       | S1-51    | Nut ... ..                                       | 1        |
| 11       | H823     | Nacelle bottom unit ... ..                       | 2        |
| 12       | H1035    | STANCHION C/W BEARING ... ..                     | 2        |
| 13       | H845     | Lower bearing ... ..                             | 2        |
| 14       | H519     | Oil filler plug ( $\frac{3}{8}$ in. U.H.) ... .. | 2        |
| 15       | H430     | Fibre washer ... ..                              | 1        |
| 16       | H1040    | LEFT BOTTOM MEMBER C/W CAP ... ..                | 1        |
| 17       | H1043    | RIGHT BOTTOM MEMBER C/W CAP ... ..               | 2        |
| 18       | H1042    | Oil drain stud ( $\frac{3}{32}$ in. O.A.) ... .. | 2        |
| 19       | WE170    | Fibre washer ... ..                              | 2        |
| 20       | H856     | Spindle cap... ..                                | 4        |
| 21       | E1612    | Serrated washer ... ..                           | 4        |
| 22       | W932     | Bolt (1 in. U.H.) ... ..                         | 2        |
| 23       | H1037    | SPRING ASSEMBLY ... ..                           | 2        |
| 24       | H850     | Stud (1 $\frac{1}{16}$ in. O.A.) ... ..          | 2        |
| 25       | H1047    | Restrictor rod ... ..                            | 2        |
| 26       | H1048    | Stud (1 $\frac{7}{32}$ in. O.A.) ... ..          | 2        |
| 27       | E2287    | Serrated washer ... ..                           | 2        |
| 28       | H846     | Cap nut ... ..                                   | 2        |
| 29       | H1046    | Top bearing ... ..                               | 2        |
| 30       | H862     | Steel washer ... ..                              | 2        |
| 31       | H1045    | Dust excluder sleeve nut ... ..                  | 2        |
| 32       | H1044    | Oil seal ... ..                                  | 1        |
| 33       | H1446    | Nacelle top ... ..                               | 2        |
| 34       | H916     | Screw ( $\frac{9}{32}$ in. U.H.) ... ..          | 2        |
| 35       | H873     | Mudguard clip ... ..                             | 2        |
| 36       | H864     | Handlebar support ... ..                         | 2        |
| 37       | H865     | Handlebar "U" bolt ... ..                        | 4        |
| 38       | S25-13   | Plain washer ... ..                              | 4        |
| 39       | F879     | Nut ... ..                                       | 3        |
| 40       | H961     | Rubber grommet ... ..                            | 2        |
| 41       | H881     | Rubber grommet ... ..                            | 1        |
| 42       | H877     | Left motif ... ..                                | 1        |
| 43       | H878     | Right motif ... ..                               | 3        |
| 44       | H688     | Screw ( $\frac{5}{16}$ in. U.H.) ... ..          | 4        |
| 45       | H689     | Screw ( $\frac{1}{4}$ in. U.H.) ... ..           | 4        |
| 46       | E2880    | Serrated washer ... ..                           | 4        |
| 47       | H691     | Nut ... ..                                       | 4        |

FORK ASSEMBLY REF. N° 1

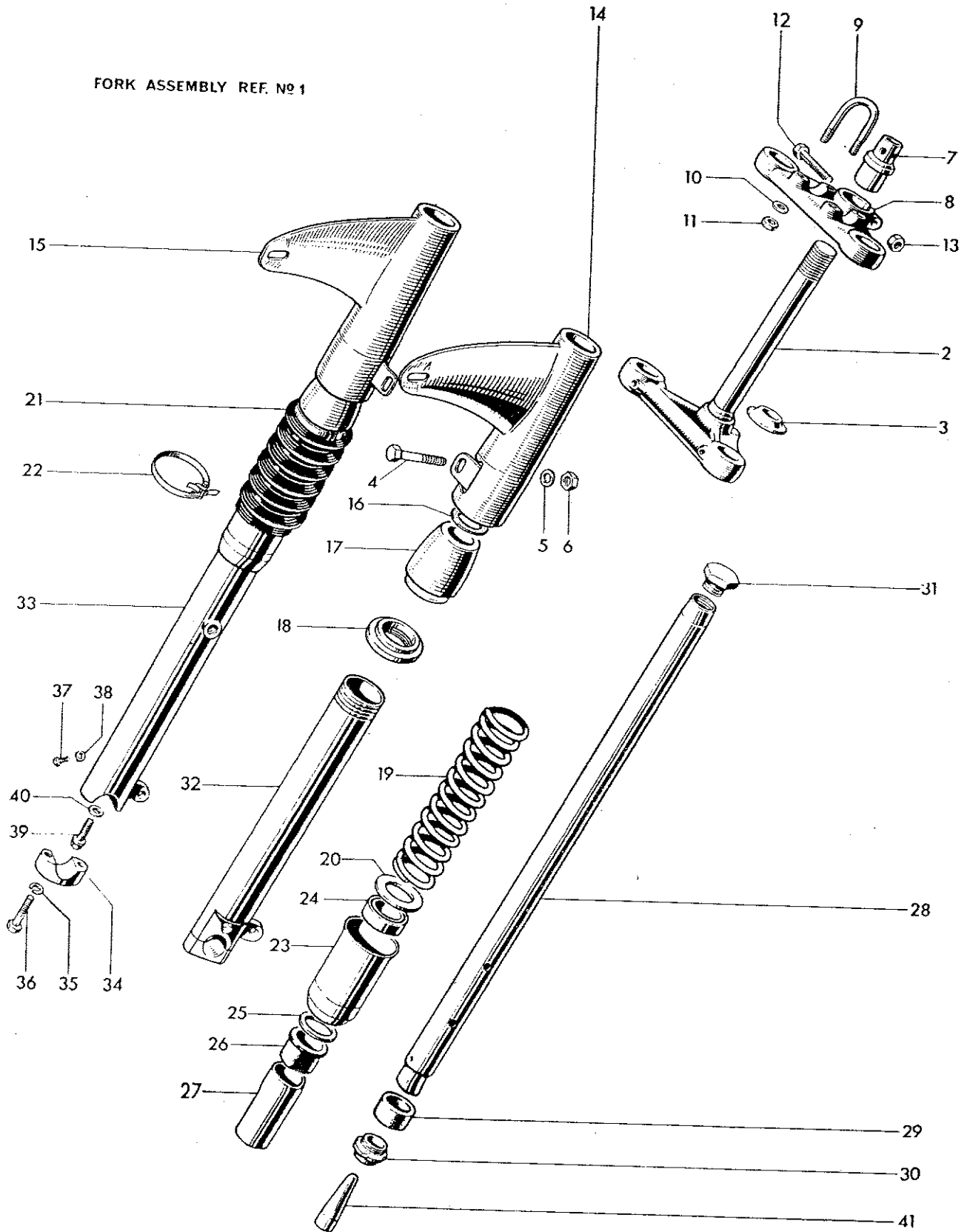


Fig. 10. TELESCOPIC FRONT FORK T20SS and T20SH

### TELESCOPIC FRONT FORK T20SS AND T20SH

|    |       |                                    | T20SS | T20SH |
|----|-------|------------------------------------|-------|-------|
|    |       |                                    | 1     | 1     |
| 1  | H1880 | FORK ASSEMBLY ... ..               | 1     | 1     |
| 2  | H1257 | Middle lug and stem ... ..         | 1     | 1     |
| 3  | H833  | Bottom cone ... ..                 | 1     | 1     |
| 4  | H941  | Pinch bolt (2¼ in. U.H.) ... ..    | 2     | 2     |
| 5  | S25-2 | Plain washer ... ..                | 2     | 2     |
| 6  | †H975 | Nut ... ..                         | 2     | 2     |
| 7  | H1260 | Fork stem sleeve nut ... ..        | 1     | 1     |
| 8  | H1108 | Top lug ... ..                     | 1     | 1     |
| 9  | H660  | Handlebar 'U' bolt ... ..          | 2     | 2     |
| 10 | S25-3 | Plain washer ... ..                | 4     | 4     |
| 11 | E1310 | Nut ... ..                         | 4     | 4     |
| 12 | F1760 | Pinch bolt (1⅞ in. U.H.) ... ..    | 1     | 1     |
| 13 | H379  | Seated nut ... ..                  | 1     | 1     |
| 14 | H1899 | Left top cover ... ..              | 1     | 1     |
| 15 | H1898 | Right top cover ... ..             | 1     | 1     |
| 16 | F4047 | Cork washer ... ..                 | 2     | 2     |
| 17 | H1867 | Spring abutment ... ..             | 2     | 2     |
| 18 | H1866 | Spring cup ... ..                  | 2     | 2     |
| 19 | H1865 | Main spring—Black/Yellow ... ..    | 2     | 2     |
| 20 | H1656 | Plain washer ... ..                | 2     | 2     |
| 21 | H1645 | Telescopic gaiter ... ..           | 2     | 2     |
| 22 | D340  | Gaiter clip ... ..                 | 4     | 4     |
| 23 | H1654 | DUST EXCLUDER SLEEVE NUT ... ..    | 2     | 2     |
| 24 | H1500 | Oil seal ... ..                    | 2     | 2     |
| 25 | H431  | Plain washer ... ..                | 2     | 2     |
| 26 | H441  | Top bearing ... ..                 | 2     | 2     |
| 27 | H1896 | Damping sleeve ... ..              | 2     | 2     |
| 28 | H1928 | STANCHION C/W BEARING ... ..       | 2     | 2     |
| 29 | H443  | Lower bearing ... ..               | 2     | 2     |
| 30 | H1058 | Bearing nut ... ..                 | 2     | 2     |
| 31 | H1658 | Cap nut ... ..                     | 2     | 2     |
| 32 | H1842 | LEFT BOTTOM MEMBER C/W CAP ... ..  | 1     | 1     |
| 33 | H1843 | RIGHT BOTTOM MEMBER C/W CAP ... .. | 1     | 1     |
| 34 | H1844 | Spindle cap ... ..                 | 2     | 2     |
| 35 | S26-3 | Spring washer ... ..               | 4     | 4     |
| 36 | H1070 | Bolt (1-7/8 in. U.H.) ... ..       | 4     | 4     |
| 37 | H1071 | Drain plug ... ..                  | 2     | 2     |
| 38 | H430  | Fibre washer ... ..                | 2     | 2     |
| 39 | H1063 | Flanged bolt (3/8 in. U.H.) ... .. | 2     | 2     |
| 40 | H1062 | Aluminium washer ... ..            | 2     | 2     |
| 41 | H1499 | Restrictor ... ..                  | 2     | 2     |

† H1329 Nut used on Export TS20  
 H1435 Competition front number plate TR20

WHEEL COMPLETE REF. N° 1  
RIM, SPOKES & HUB REF. N° 2

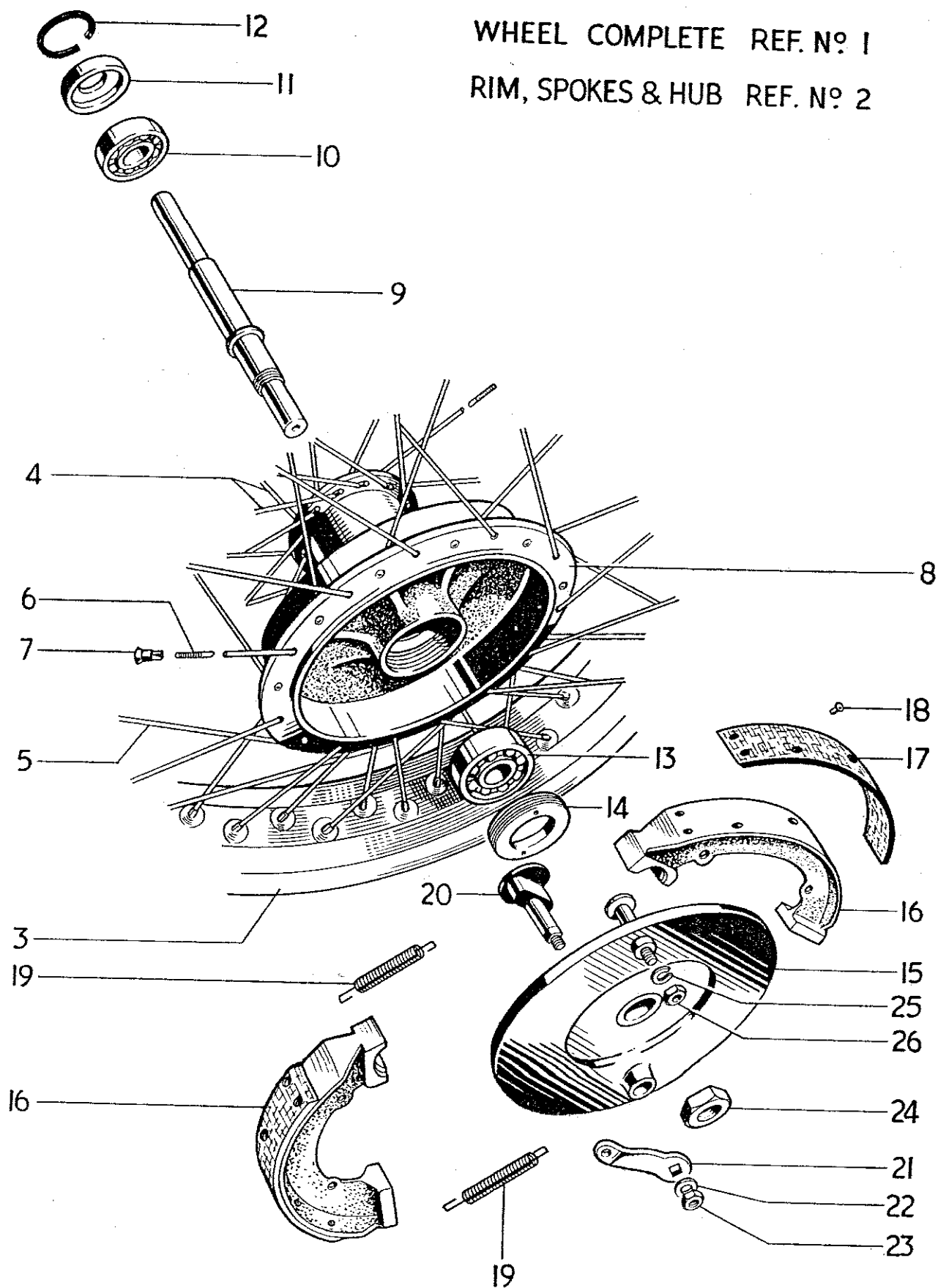
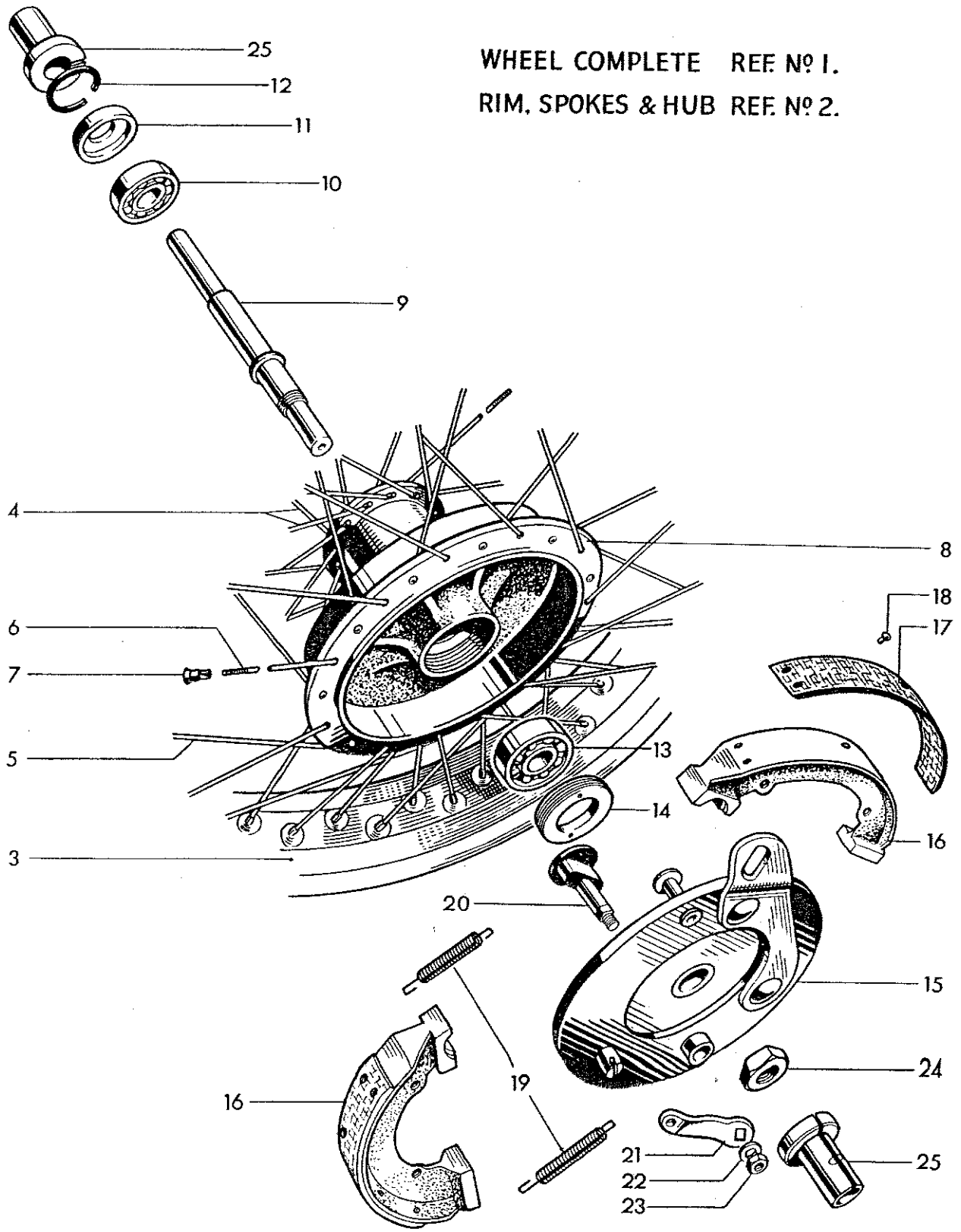


Fig. 11. FRONT WHEEL, T20.

**FRONT WHEEL T20**

| Ref. No. | Part No. | DESCRIPTION  | QUANTITY |
|----------|----------|--|----------|
|          |          |  | T20      |
| 1        | W1379    | FRONT WHEEL COMPLETE   | 1        |
| 2        | W1380    | RIM, SPOKES AND HUB ASSEMBLY                                       | 1        |
| 3        | W1397    | Front wheel rim WM2-17   | 1        |
| 4        | W1381    | Spoke (10/12G x 7 <sup>7</sup> / <sub>16</sub> in. 90°) c/w nipple | 20       |
| 5        | W1382    | Spoke (10/12G x 5 <sup>7</sup> / <sub>8</sub> in. 100°) c/w nipple | 10       |
| 6        | W1383    | Spoke (10/12G x 5 <sup>7</sup> / <sub>8</sub> in. 80°) c/w nipple  | 10       |
| 7        | W965     | Nipple   | 40       |
| 8        | W1286    | Hub and brake drum   | 1        |
| 9        | W967     | Wheel spindle  | 1        |
| 10       | T530     | Left bearing   | 1        |
| 11       | W966     | Dust cover   | 1        |
| 12       | T532     | Circlip  | 1        |
| 13       | H826     | Right bearing  | 1        |
| 14       | W968     | Retaining ring   | 1        |
| 15       | W1065    | Brake anchor plate   | 1        |
| 16       | W977     | BRAKE SHOE C/W LINING  | 2        |
| 17       | W978     | Brake lining   | 2        |
| 18       | W979     | Brass rivet  | 12       |
| 19       | W200     | Shoe return spring   | 2        |
| 20       | W1128    | Brake cam  | 1        |
| 21       | W1133    | Brake cam lever  | 1        |
| 22       | S25-71   | Plain washer   | 1        |
| 23       | T224     | Nut  | 1        |
| 24       | W1093    | Anchor plate nut   | 1        |
| 25       | S26-1    | Spring washer  | 1        |
| 26       | S1-52    | Nut  | 1        |



WHEEL COMPLETE REF. N° 1.  
 RIM, SPOKES & HUB REF. N° 2.

Fig. 12. FRONT WHEEL, T20SS & T20SH.

### FRONT WHEEL T20SS AND T20SH

|    |        |   | T20SS | T20SH |
|----|--------|---|-------|-------|
| 1  | W1655  | FRONT WHEEL COMPLETE                    | 1     | 1     |
| 2  | W1285  | RIM, SPOKES AND HUB ASSEMBLY            | 1     | 1     |
| 3  | W1002  | Front wheel rim, WM1-19                 | 1     | 1     |
| 4  | W1289  | Spoke (10/12G x 8½ in. 90°) c/w nipple  | 20    | 20    |
| 5  | W1205  | Spoke (10/12G x 6¾ in. 100°) c/w nipple | 10    | 10    |
| 6  | W1206  | Spoke (10/12G x 6¾ in. 80°) c/w nipple  | 10    | 10    |
| 7  | W965   | Nipple                                  | 40    | 40    |
| 8  | W1286  | Hub and brake drum                      | 1     | 1     |
| 9  | W1350  | Wheel spindle                           | 1     | 1     |
| 10 | T530   | Left bearing                            | 1     | 1     |
| 11 | W966   | Dust cover                              | 1     | 1     |
| 12 | T532   | Circlip                                 | 1     | 1     |
| 13 | H826   | Right bearing                           | 1     | 1     |
| 14 | W968   | Retaining ring                          | 1     | 1     |
| 15 | W1650  | Brake anchor plate                      | 1     | 1     |
| 16 | W977   | BRAKE SHOE C/W LINING                   | 2     | 2     |
| 17 | W978   | Brake lining                            | 2     | 2     |
| 18 | W979   | Brass rivet                             | 12    | 12    |
| 19 | W200   | Shoe return spring                      | 1     | 1     |
| 20 | W1128  | Brake cam                               | 1     | 1     |
| 21 | W1653  | Brake cam lever                         | 1     | 1     |
| 22 | S25-71 | Plain washer                            | 1     | 1     |
| 23 | T224   | Nut                                     | 1     | 1     |
| 24 | W1093  | Anchor plate nut                        | 1     | 1     |
| 25 | W1649  | Spindle sleeve                          | 2     | 2     |

N.B.: TR20 model uses the following items:-

|        |       |                                       | TR20 |
|--------|-------|---------------------------------------|------|
| 1      | W1656 | FRONT WHEEL COMPLETE                  | 1    |
| 2      | W1448 | RIM, SPOKES AND HUB ASSEMBLY          | 1    |
| 3      | W1449 | Front wheel rim WM1-21                | 1    |
| 4      | W354  | Spoke (10G x 9¾ in. x 78°) c/w nipple | 20   |
| 5 or 6 | W1465 | Spoke (10G x 7¾ in. x 90°) c/w nipple | 20   |
| 7      | S79-2 | Nipple                                | 40   |
| 10     | W1431 | Left bearing                          | 1    |
| 16     | W1457 | BRAKE SHOE C/W LINING                 | 2    |
| 17     | W1458 | Brake lining                          | 2    |

WHEEL COMPLETE REF. N° 1  
RIM, SPOKES & HUB REF. N° 2

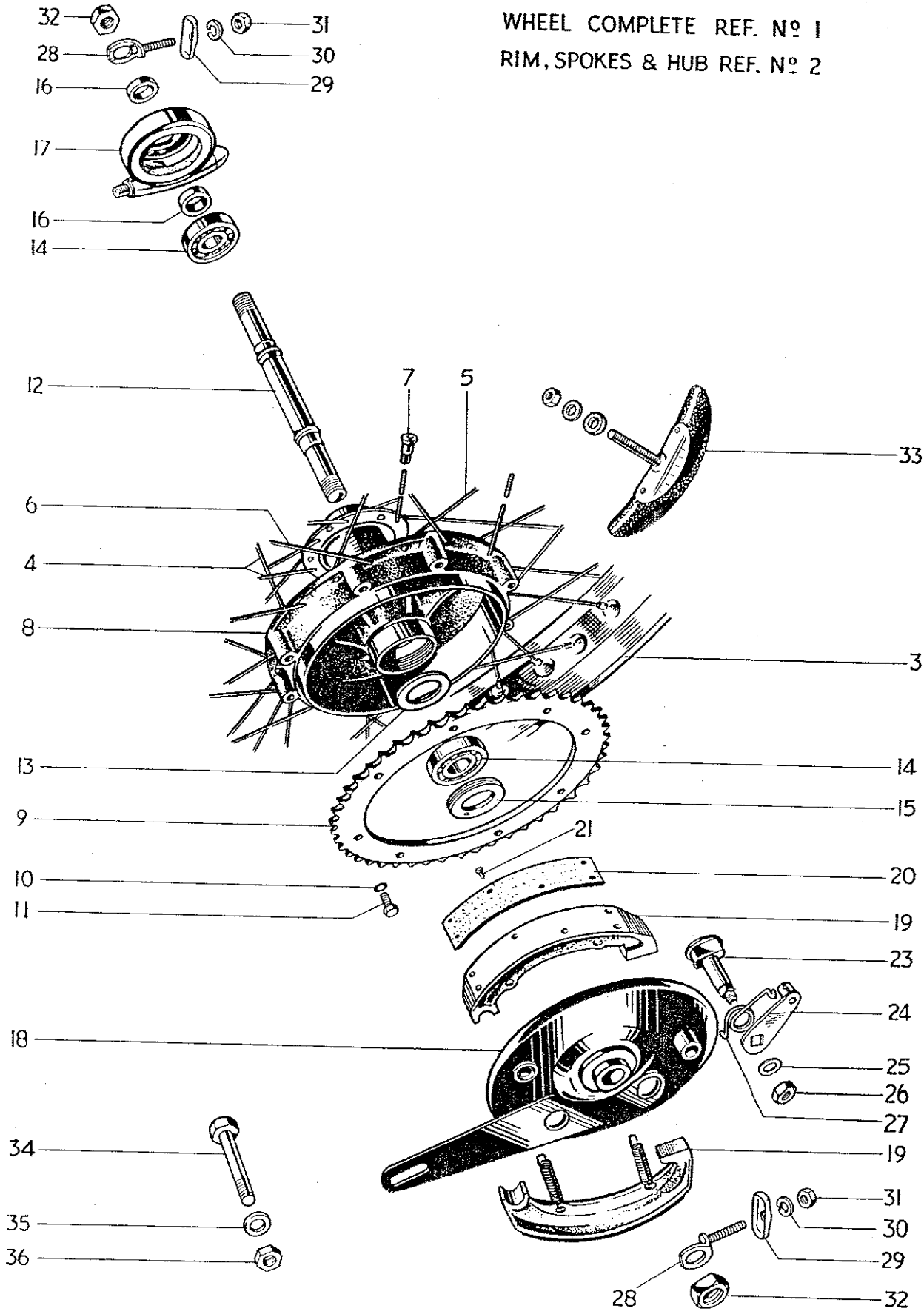


Fig. 13. REAR WHEEL



REAR WHEEL

|    |       |   |     |     |     |     | T20 | T20SS | T20SH |
|----|-------|---|-----|-----|-----|-----|-----|-------|-------|
| 1  | W1384 | REAR WHEEL COMPLETE                                   | ... | ... | ... | ... | 1   | -     | -     |
| 1  | W1418 | REAR WHEEL COMPLETE                                   | ... | ... | ... | ... | -   | -     | 1     |
| 1  | W1446 | REAR WHEEL COMPLETE                                   | ... | ... | ... | ... | -   | 1     | -     |
| 2  | W1385 | RIM, SPOKES AND HUB ASSEMBLY                          | ... | ... | ... | ... | 1   | -     | -     |
| 2  | W1368 | RIM, SPOKES AND HUB ASSEMBLY                          | ... | ... | ... | ... | -   | -     | 1     |
| 2  | W1447 | RIM, SPOKES AND HUB ASSEMBLY                          | ... | ... | ... | ... | -   | 1     | -     |
| 3  | W1397 | Rear wheel rim WM 2 - 17                              | ... | ... | ... | ... | 1   | -     | -     |
| 3  | W1296 | Rear wheel rim WM 2 - 18                              | ... | ... | ... | ... | -   | -     | 1     |
| 3  | W1007 | Rear wheel rim WM 3 - 18                              | ... | ... | ... | ... | -   | 1     | -     |
| 4  | W1381 | Spoke (10/12G x 7 $\frac{7}{16}$ in. 90°) c/w nipple  | ... | ... | ... | ... | 20  | -     | -     |
| 4  | W1293 | Spoke (10/12G x 7 $\frac{15}{16}$ in. 90°) c/w nipple | ... | ... | ... | ... | -   | -     | 20    |
| 4  | W1465 | Spoke (10G x 7 $\frac{3}{8}$ in. 90°) c/w nipple      | ... | ... | ... | ... | -   | 20    | -     |
| 5  | W1382 | Spoke (10/12G x 5 $\frac{7}{8}$ in. 100°) c/w nipple  | ... | ... | ... | ... | 10  | -     | -     |
| 5  | W1294 | Spoke (10/12G x 6 $\frac{3}{8}$ in. 100°) c/w nipple  | ... | ... | ... | ... | -   | -     | 10    |
| 5  | W934  | Spoke (10G x 6 $\frac{3}{8}$ in. 94°) c/w nipple      | ... | ... | ... | ... | -   | 10    | -     |
| 6  | W1383 | Spoke (10/12G x 5 $\frac{7}{8}$ in. 80°) c/w nipple   | ... | ... | ... | ... | 10  | -     | -     |
| 6  | W1295 | Spoke (10/12G x 6 $\frac{3}{8}$ in. 80°) c/w nipple   | ... | ... | ... | ... | -   | -     | 10    |
| 6  | W933  | Spoke (10G x 6 $\frac{3}{8}$ in. 83°) c/w nipple      | ... | ... | ... | ... | -   | 10    | -     |
| 7  | W965  | Nipple  | ... | ... | ... | ... | 40  | -     | 40    |
| 7  | S79-2 | Nipple  | ... | ... | ... | ... | -   | 40    | -     |
| 8  | W1362 | Hub and brake drum                                    | ... | ... | ... | ... | 1   | 1     | 1     |
| 9  | W1320 | *Sprocket (46T)                                       | ... | ... | ... | ... | 1   | -     | -     |
| 9  | W984  | *Sprocket (48T)                                       | ... | ... | ... | ... | -   | 1     | 1     |
| 10 | W1122 | Spring washer   | ... | ... | ... | ... | 8   | 8     | 8     |
| 11 | W1322 | Bolt ( $\frac{5}{8}$ in. U.H.)                        | ... | ... | ... | ... | 8   | 8     | 8     |
| 12 | W989  | Spindle   | ... | ... | ... | ... | 1   | 1     | 1     |
| 13 | W987  | Backing ring...                                       | ... | ... | ... | ... | 1   | 1     | 1     |
| 14 | †H826 | Bearing   | ... | ... | ... | ... | 2   | 2     | 2     |
| 15 | W988  | Retaining ring  | ... | ... | ... | ... | 1   | 1     | 1     |
| 16 | W1223 | Distance piece  | ... | ... | ... | ... | 2   | 2     | 2     |
| 17 | D175  | Speedometer gearbox (TS20 uses W1454 spacer)          | ... | ... | ... | ... | -   | 1     | 1     |
| 17 | D489  | Speedometer gearbox                                   | ... | ... | ... | ... | 1   | -     | -     |
| 18 | W1365 | Brake anchor plate                                    | ... | ... | ... | ... | 1   | 1     | 1     |

\* For alternative sprockets see Page 11.

(continued on Page 43)

WHEEL COMPLETE REF. N° 1  
RIM, SPOKES & HUB REF. N° 2

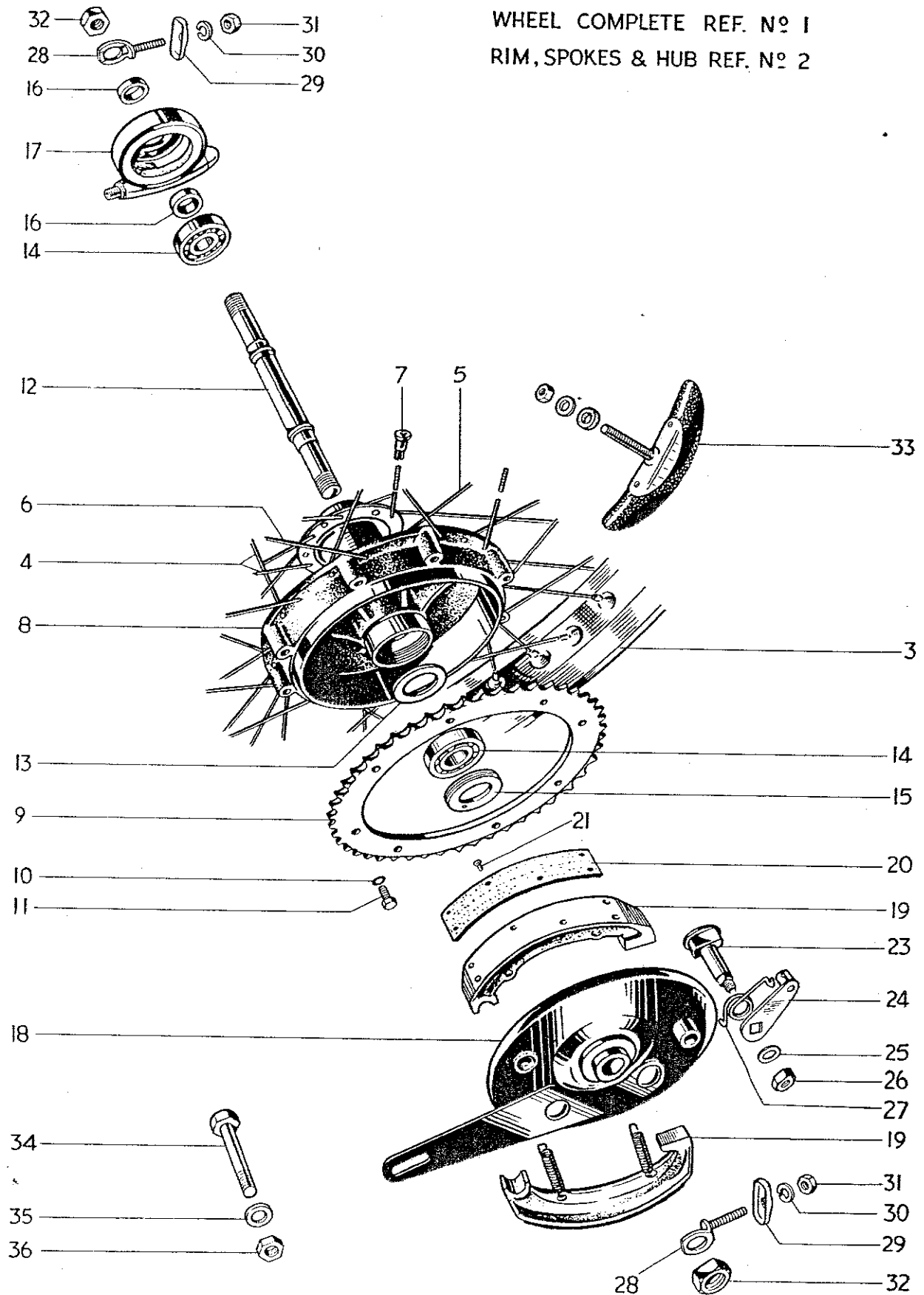


Fig. 13. REAR WHEEL

REAR WHEEL—(continued)

|    |        |                                 |     |     |     |     |     | T20 | T20SS | T20SH |
|----|--------|---------------------------------|-----|-----|-----|-----|-----|-----|-------|-------|
| 19 | †W977  | BRAKE SHOE C/W LINING           | ... | ... | ... | ... | ... | 2   | 2     | 2     |
| 20 | †W978  | Brake lining                    | ... | ... | ... | ... | ... | 2   | 2     | 2     |
| 21 | W979   | Brass rivet                     | ... | ... | ... | ... | ... | 12  | 12    | 12    |
| 22 | W200   | Shoe return spring              | ... | ... | ... | ... | ... | 2   | 2     | 2     |
| 23 | W1128  | Brake cam                       | ... | ... | ... | ... | ... | 1   | 1     | 1     |
| 24 | W1221  | Brake cam lever                 | ... | ... | ... | ... | ... | 1   | 1     | 1     |
| 25 | S25-71 | Plain washer                    | ... | ... | ... | ... | ... | 1   | 1     | 1     |
| 26 | T224   | Nut                             | ... | ... | ... | ... | ... | 1   | 1     | 1     |
| 27 | W592   | Return spring                   | ... | ... | ... | ... | ... | -   | 1     | -     |
| 28 | W1224  | Chain adjuster                  | ... | ... | ... | ... | ... | 2   | 2     | 2     |
| 29 | W1227  | End plate                       | ... | ... | ... | ... | ... | 2   | 2     | 2     |
| 30 | S26-2  | Spring washer                   | ... | ... | ... | ... | ... | 2   | 2     | 2     |
| 31 | F879   | Nut                             | ... | ... | ... | ... | ... | 2   | 2     | 2     |
| 32 | W1000  | Nut                             | ... | ... | ... | ... | ... | 2   | 2     | 2     |
| 33 | D106   | Tyre security bolt              | ... | ... | ... | ... | ... | -   | -     | 1     |
| 33 | WM-3   | Tyre security bolt              | ... | ... | ... | ... | ... | -   | 2     | -     |
| 34 | H211   | Bolt ( $\frac{5}{16}$ in. U.H.) | ... | ... | ... | ... | ... | 1   | 1     | 1     |
| 35 | F2184  | Plain washer                    | ... | ... | ... | ... | ... | 1   | 1     | 1     |
| 36 | F3955  | Self-locking nut                | ... | ... | ... | ... | ... | 1   | 1     | 1     |

† TR20 uses the following:—

- 14 W1432 Right bearing
- 19 W1457 BRAKE SHOE C/W LINING
- 20 W1458 Brake lining

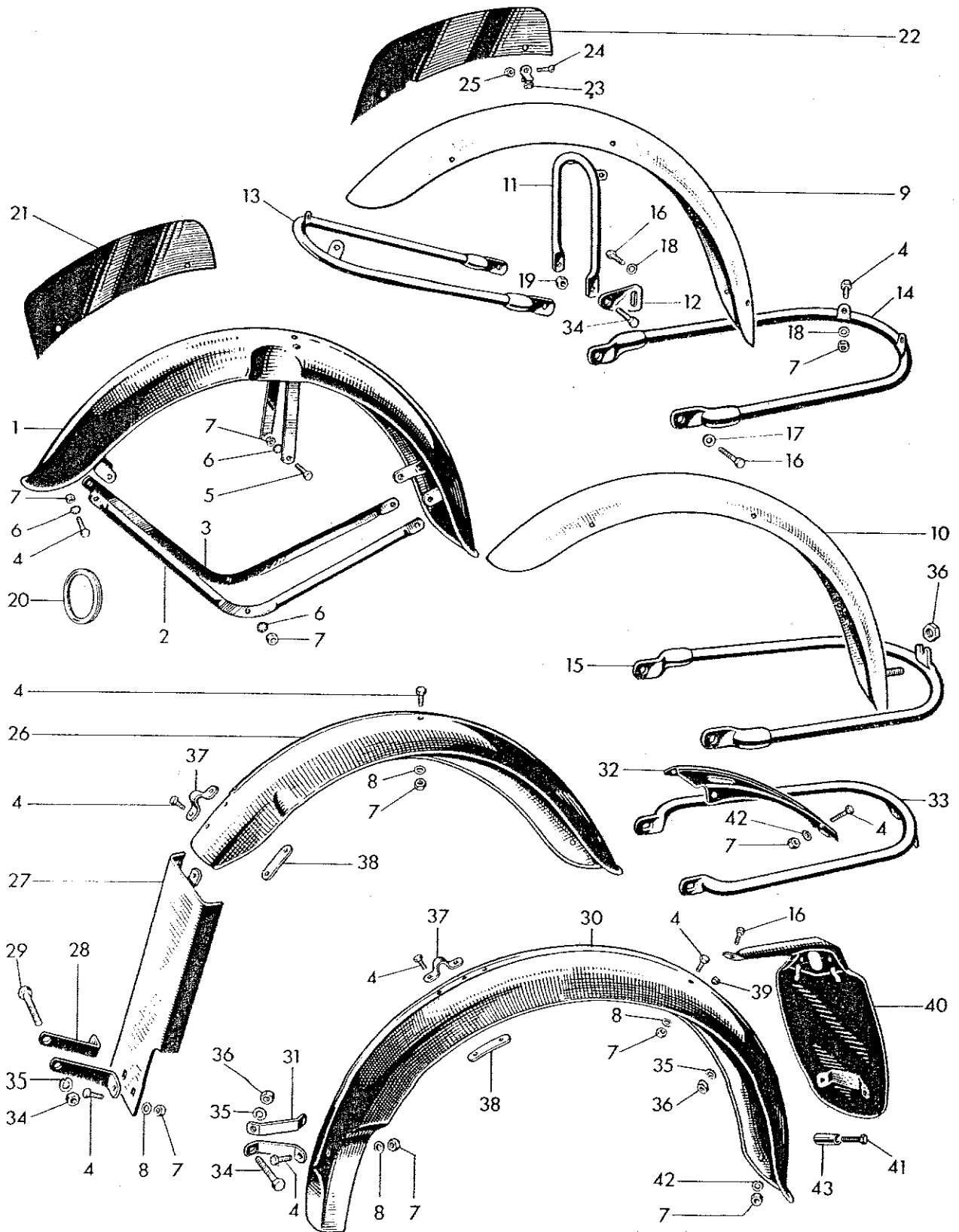


Fig. 14. MUDGUARDS AND NUMBER PLATES

MUDGUARDS AND NUMBER PLATES

|    |       |  |     |     |     |     |     |     |     | T20 | T20SS | T20SH |
|----|-------|--|-----|-----|-----|-----|-----|-----|-----|-----|-------|-------|
| 1  | H929  | Front mudguard (without number plate holes H.1546) | ... | ... | ... | ... | ... | ... | ... | 1   | -     | -     |
| 2  | H871  | Left stay  | ... | ... | ... | ... | ... | ... | ... | 1   | -     | -     |
| 3  | H872  | Right stay   | ... | ... | ... | ... | ... | ... | ... | 1   | -     | 1     |
| 4  | DS57  | Bolt ( $\frac{7}{16}$ in. U.H.)                    | ... | ... | ... | ... | ... | ... | ... | 10  | 14    | 14    |
| 5  | GS218 | Bolt ( $\frac{9}{16}$ in. U.H.)                    | ... | ... | ... | ... | ... | ... | ... | 2   | -     | -     |
| 6  | E1612 | Serrated washer                                    | ... | ... | ... | ... | ... | ... | ... | 8   | -     | -     |
| 7  | F879  | Nut  | ... | ... | ... | ... | ... | ... | ... | 14  | 14    | 14    |
| 8  | S25-1 | Plain washer                                       | ... | ... | ... | ... | ... | ... | ... | 6   | 12    | 12    |
| 9  | H1687 | Mudguard blade (Polished)                          | ... | ... | ... | ... | ... | ... | ... | -   | A     | -     |
| 10 | H1675 | Mudguard blade (without number plate holes H1677)  | ... | ... | ... | ... | ... | ... | ... | -   | A     | 1     |
| 11 | H1683 | Bridge   | ... | ... | ... | ... | ... | ... | ... | -   | 1     | 1     |
| 12 | H1685 | Bracket (use H1688 with 21 in. wheel)              | ... | ... | ... | ... | ... | ... | ... | -   | 2     | 2     |
| 13 | H1681 | Front stay (not required with 21 in. wheel)        | ... | ... | ... | ... | ... | ... | ... | -   | 1     | 1     |
| 14 | H1273 | Lower stay (with H1687 Mudguard)                   | ... | ... | ... | ... | ... | ... | ... | -   | 1     | -     |
| 15 | H1678 | Lower stay (with H1675 or H1677 Mudguard)          | ... | ... | ... | ... | ... | ... | ... | -   | A     | 1     |
| 16 | F929  | Bolt ( $\frac{1}{2}$ in. U.H.)                     | ... | ... | ... | ... | ... | ... | ... | 1   | 5     | 5     |
| 17 | S25-3 | Plain washer                                       | ... | ... | ... | ... | ... | ... | ... | -   | 2     | 2     |
| 18 | F4299 | Plain washer                                       | ... | ... | ... | ... | ... | ... | ... | -   | 2     | 2     |
| 19 | T224  | Nut  | ... | ... | ... | ... | ... | ... | ... | -   | 2     | 2     |
| 20 | D261  | Licence holder                                     | ... | ... | ... | ... | ... | ... | ... | 1   | 1     | 1     |
| 21 | H874  | Number plate                                       | ... | ... | ... | ... | ... | ... | ... | 1   | -     | -     |
| 22 | F2996 | Number plate                                       | ... | ... | ... | ... | ... | ... | ... | -   | 1     | 1     |
| 23 | H741  | Clip assembly                                      | ... | ... | ... | ... | ... | ... | ... | 2   | 2     | 2     |
| 24 | H687  | Screw ( $\frac{3}{8}$ in. U.H.)                    | ... | ... | ... | ... | ... | ... | ... | 2   | 2     | 2     |
| 25 | H745  | Nut  | ... | ... | ... | ... | ... | ... | ... | 2   | 2     | 2     |
| 26 | F5914 | Mudguard   | ... | ... | ... | ... | ... | ... | ... | 1   | -     | -     |
| 27 | F4499 | Mudshield  | ... | ... | ... | ... | ... | ... | ... | 1   | -     | -     |
| 28 | F4502 | Stay   | ... | ... | ... | ... | ... | ... | ... | 2   | -     | -     |
| 29 | F4531 | Bolt ( $1\frac{1}{8}$ in. U.H.)                    | ... | ... | ... | ... | ... | ... | ... | 1   | -     | -     |
| 30 | F6524 | Mudguard   | ... | ... | ... | ... | ... | ... | ... | -   | 1     | 1     |
| 30 | F6380 | Mudguard (Polished)                                | ... | ... | ... | ... | ... | ... | ... | -   | A     | -     |
| 31 | F5640 | Stay   | ... | ... | ... | ... | ... | ... | ... | -   | 2     | 2     |
| 32 | F6381 | Backing plate (for F6380 Mudguard)                 | ... | ... | ... | ... | ... | ... | ... | -   | 1     | -     |
| 33 | F6383 | Lifting handle (for F6380 Mudguard)                | ... | ... | ... | ... | ... | ... | ... | -   | 1     | -     |
| 34 | DS55  | Bolt ( $1\frac{3}{16}$ in. U.H.)                   | ... | ... | ... | ... | ... | ... | ... | -   | 3     | 3     |
| 35 | S26-3 | Spring washer                                      | ... | ... | ... | ... | ... | ... | ... | 2   | 2     | 2     |
| 36 | S1-51 | Nut  | ... | ... | ... | ... | ... | ... | ... | 2   | 2     | 4     |
| 37 | PF204 | Clip   | ... | ... | ... | ... | ... | ... | ... | 1   | 1     | 1     |
| 38 | F444  | Backing plate                                      | ... | ... | ... | ... | ... | ... | ... | 1   | 1     | 1     |
| 39 | E3203 | Grommet  | ... | ... | ... | ... | ... | ... | ... | 2   | 2     | 2     |
| 40 | F5924 | Number plate                                       | ... | ... | ... | ... | ... | ... | ... | 1   | -     | 1     |
| 40 | F6435 | Number plate                                       | ... | ... | ... | ... | ... | ... | ... | -   | 1     | -     |
| 41 | F1149 | Bolt ( $\frac{7}{8}$ in. U.H.)                     | ... | ... | ... | ... | ... | ... | ... | 2   | 2     | 2     |
| 42 | S26-2 | Spring washer                                      | ... | ... | ... | ... | ... | ... | ... | 2   | 4     | 4     |
| 43 | F5410 | Distance piece                                     | ... | ... | ... | ... | ... | ... | ... | 2   | 2     | 2     |

TWINSEAT ASSY. REF. N° 1

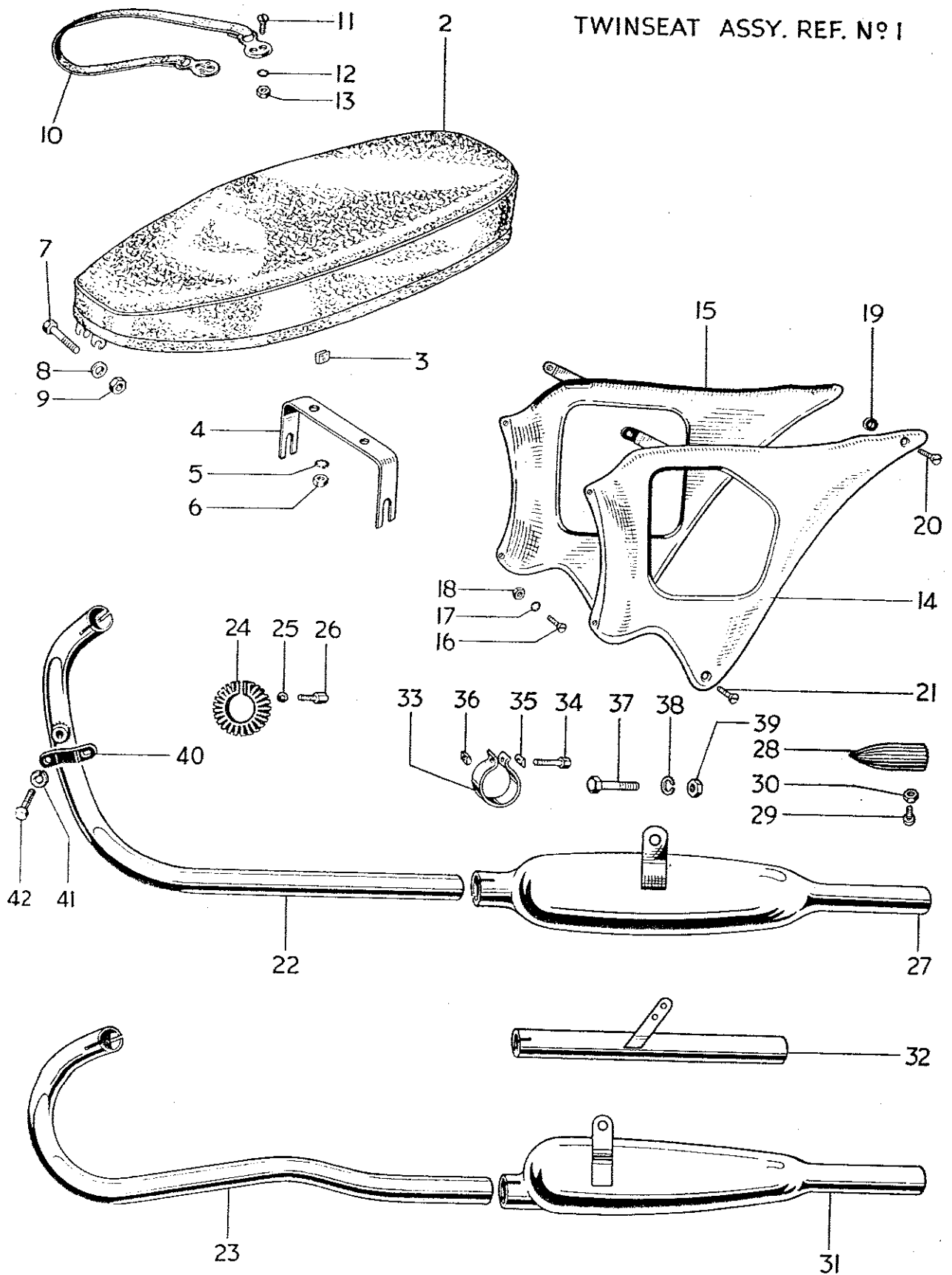


Fig. 15. TWINSEAT, REAR PANELS AND EXHAUST SYSTEM

**TWINSEAT, REAR PANELS AND EXHAUST SYSTEM**

|    |         |   | T20         | T20SS | T20SH |
|----|---------|---|-------------|-------|-------|
| 1  | F4516   | TWINSEAT COMPLETE ... ..                  | 1           | -     | -     |
| 1  | †F4272  | TWINSEAT COMPLETE ... ..                  | -           | 1     | 1     |
| 2  | *F4104  | Cover c/w Clips ... ..                    | 1           | 1     | 1     |
| 3  | F4475   | Clip ... ..                               | as required |       |       |
| 4  | F4105   | Rear bracket ... ..                       | 1           | -     | -     |
| 4  | F4261   | Rear bracket ... ..                       | -           | 1     | 1     |
| 5  | E1612   | Serrated washer ... ..                    | 2           | 2     | 2     |
| 6  | F879    | Nut ... ..                                | 2           | 2     | 2     |
| 7  | E3181   | Bolt (2¼ in. U.H.) ... ..                 | 1           | -     | -     |
| 7  | E667A   | Bolt (1½ in. U.H.) ... ..                 | -           | 1     | 1     |
| 8  | S25-3   | Plain washer ... ..                       | 1           | 1     | 1     |
| 9  | E1310   | Nut ... ..                                | 1           | 1     | 1     |
| 10 | F4361   | Safety strap ... ..                       | A           | A     | A     |
| 11 | F4129   | Screw (½ in. U.H.) ... ..                 | 4           | 4     | 4     |
| 12 | GS299   | Serrated washer ... ..                    | 4           | 4     | 4     |
| 13 | H745    | Nut ... ..                                | 4           | 4     | 4     |
| 14 | F4503   | Left panel ... ..                         | 1           | -     | -     |
| 15 | F4505   | Right panel ... ..                        | 1           | -     | -     |
| 16 | H687    | Screw (⅜ in. U.H.) ... ..                 | 2           | -     | -     |
| 17 | E2351   | Serrated washer ... ..                    | 2           | -     | -     |
| 18 | F3799   | Nut ... ..                                | 2           | -     | -     |
| 19 | F4512   | Rubber washer ... ..                      | 2           | -     | -     |
| 20 | F4483   | Self-tapping screw ... ..                 | 2           | -     | -     |
| 21 | F4511   | Screw (⅝ in. U.H.) ... ..                 | 2           | -     | -     |
| 22 | E4738   | Exhaust pipe ... ..                       | 1           | -     | 1     |
| 23 | E4930   | Exhaust pipe (upswept) ... ..             | -           | -     | A     |
| 23 | E4497   | Exhaust pipe (upswept) ... ..             | -           | 1     | -     |
| 24 | E3259   | Clip ... ..                               | 1           | 1     | 1     |
| 24 | E4932   | Clip (chrome) ... ..                      | A           | A     | A     |
| 25 | S25-13  | Plain washer ... ..                       | 1           | 1     | 1     |
| 26 | E3260   | Bolt (⅞ in. U.H.) ... ..                  | 1           | 1     | 1     |
| 27 | E3928   | Silencer ... ..                           | 1           | 1     | 1     |
| 28 | E4076   | Silencer mute ... ..                      | 1           | A     | A     |
| 29 | H689    | Screw (¼ in. U.H.) ... ..                 | 1           | A     | A     |
| 30 | H691    | Nut ... ..                                | 1           | A     | A     |
| 31 | E3840   | Silencer (upswept) ... ..                 | -           | -     | A     |
| 31 | E4496   | Silencer (upswept) ... ..                 | -           | 1     | -     |
| 32 | **E3967 | Extension pipe ... ..                     | A           | -     | A     |
| 33 | E3269   | Clip ... ..                               | 1           | 1     | 1     |
| 34 | TE164E  | Bolt ... ..                               | 1           | 1     | 1     |
| 35 | TE164D  | "D" washer ... ..                         | 1           | 1     | 1     |
| 36 | TE164C  | "D" nut ... ..                            | 1           | 1     | 1     |
| 37 | F1031   | Bolt (½ in. U.H.), silencer hanger ... .. | -           | A     | A     |
| 38 | S26-1   | Spring washer ... ..                      | -           | A     | A     |
| 39 | P0172A  | Nut ... ..                                | -           | A     | A     |
| 40 | E4737   | Bracket ... ..                            | 1           | 1     | 1     |
| 41 | S26-3   | Spring washer ... ..                      | 1           | 1     | 1     |
| 42 | F929    | Bolt ... ..                               | 1           | 1     | 1     |

† F5126 Trials seat used on T20SC, TS20 and TR20 models

\* F5128 Trials seat cover c/w clips used on T20SC, TS20 and TR20 models

\*\* E4498 Extension pipe used on TS20 models

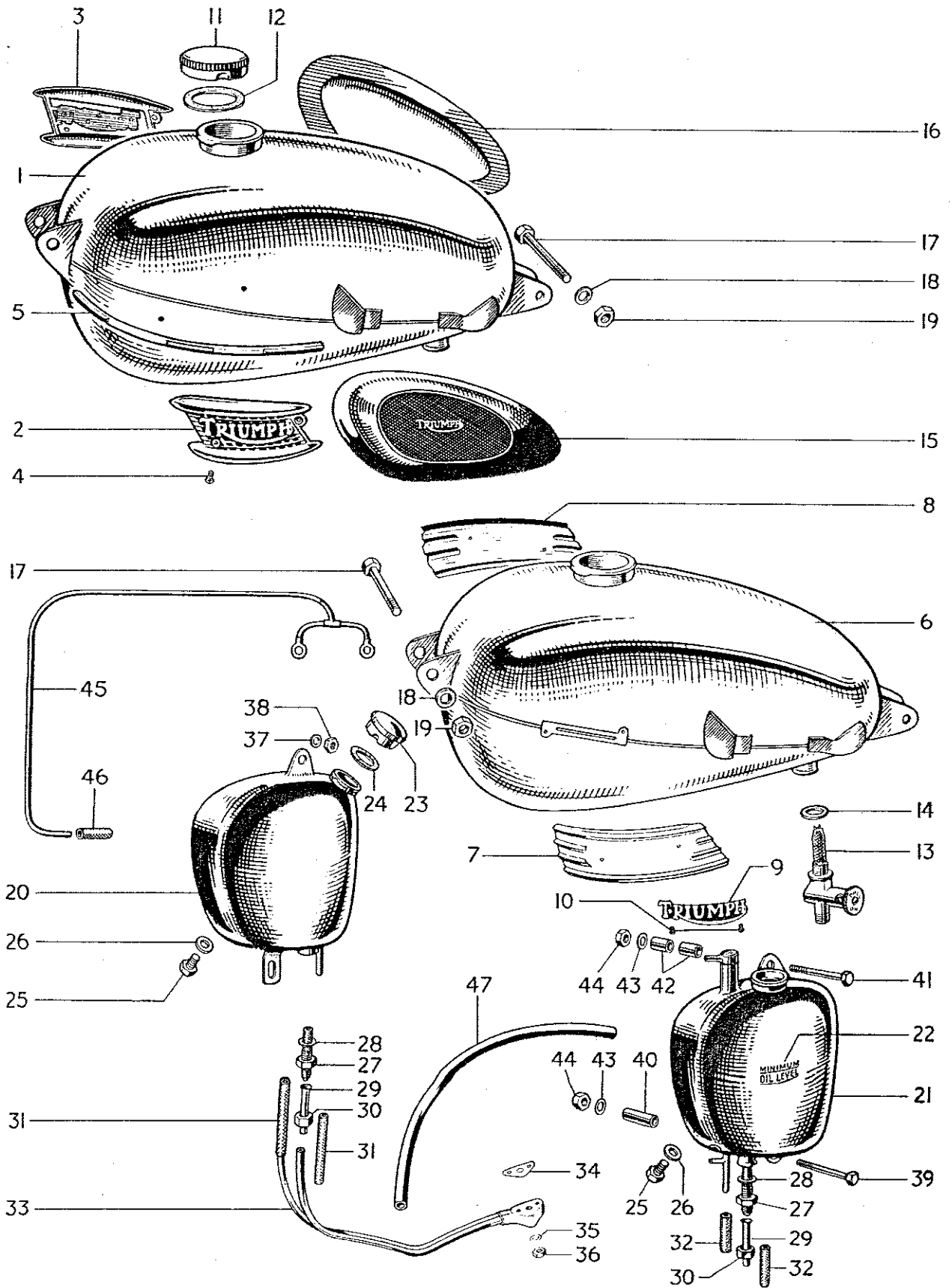


Fig. 16. PETROL AND OIL TANKS



**PETROL AND OIL TANKS**

|    |        |                                       | T20 | T20SS | T20SH |
|----|--------|---------------------------------------|-----|-------|-------|
| 1  | F4496  | Petrol tank (3 gallons)               | 1   | -     | 1     |
| 2  | F4570  | Left styling unit                     | 1   | -     | 1     |
| 3  | F4571  | Right styling unit                    | 1   | -     | 1     |
| 4  | F4468  | Screw ( $\frac{3}{16}$ in. U.H.)      | 4   | -     | 4     |
| 5  | F5100  | Styling strip                         | 2   | -     | 2     |
| 6  | F3505  | Petrol tank ( $2\frac{1}{2}$ gallons) | -   | 1     | -     |
| 7  | F3494  | Left styling band                     | -   | 1     | -     |
| 8  | F3495  | Right styling band                    | -   | 1     | -     |
| 9  | F3496  | Nameplate                             | -   | 2     | -     |
| 10 | F3497  | Screw ( $\frac{1}{8}$ in. U.H.)       | -   | 4     | -     |
| 11 | F3220  | FILLER CAP                            | 1   | 1     | 1     |
| 12 | F4048  | Joint washer                          | 1   | 1     | 1     |
| 13 | F4908  | Petrol tap                            | 1   | 1     | 1     |
| 14 | E697   | Fibre washer                          | 1   | 1     | 1     |
| 15 | F1606  | Left knee grip                        | 1   | 1     | 1     |
| 16 | F1605  | Right knee grip                       | 1   | 1     | 1     |
| 17 | F3498  | Bolt ( $2\frac{5}{8}$ in. U.H.)       | 2   | 2     | 2     |
| 18 | S25-3  | Plain washer                          | 2   | 2     | 2     |
| 19 | S1-51  | Nut                                   | 2   | 2     | 2     |
| 20 | F5491  | OIL TANK                              | 1   | -     | -     |
| 21 | F4572  | OIL TANK                              | -   | 1     | 1     |
| 22 | A3     | Transfer (Minimum oil level)          | -   | 1     | 1     |
| 23 | F5155  | FILLER CAP                            | 1   | -     | -     |
| 23 | F3216  | FILLER CAP                            | 1   | 1     | 1     |
| 24 | F4047  | Joint washer                          | 1   | 1     | 1     |
| 25 | F5343  | Drain plug                            | 1   | 1     | 1     |
| 26 | PT104B | Fibre washer                          | 1   | 1     | 1     |
| 27 | F3876  | Filter                                | 1   | 1     | 1     |
| 28 | F1511  | Fibre washer                          | 1   | 1     | 1     |
| 29 | F3503  | Upper feed pipe                       | 1   | 1     | 1     |
| 30 | F3504  | Union nut                             | 1   | 1     | 1     |
| 31 | F4530  | Rubber connector                      | 2   | -     | -     |
| 32 | F3077  | Rubber connector                      | -   | 2     | -     |
| 32 | E4524  | Rubber connector                      | -   | -     | 2     |
| 33 | E3270  | Oil pipes and junction block          | 1   | 1     | -     |
| 33 | E4519  | Oil pipes and junction block          | -   | -     | 1     |
| 34 | E3274  | Joint washer                          | 1   | 1     | 1     |
| 35 | S25-13 | Plain washer                          | 1   | 1     | 1     |
| 36 | F879   | Nut                                   | 1   | 1     | 1     |
| 37 | S25-2  | Plain washer                          | 1   | -     | -     |
| 38 | S1-52  | Nut                                   | 1   | -     | -     |
| 39 | F2596  | Bolt ( $1\frac{7}{8}$ in. U.H.)       | -   | 1     | 1     |
| 40 | F3477  | Distance piece                        | -   | 1     | 1     |
| 41 | F3468  | Bolt ( $2\frac{1}{16}$ in. U.H.)      | -   | -     | 1     |
| 41 | †F3805 | Bolt ( $1\frac{5}{16}$ in. U.H.)      | -   | 1     | -     |
| 42 | F3476  | Distance piece                        | -   | 2     | 2     |
| 43 | S25-3  | Plain washer                          | -   | 2     | 2     |
| 44 | S1-51  | Nut                                   | -   | 2     | 2     |
| 45 | E3244  | Rocker oil feed pipe                  | 1   | 1     | 1     |
| 46 | E3383  | Rubber connector                      | 1   | 1     | 1     |
| 47 | T1203  | Flexible vent pipe                    | 1   | 1     | 1     |
| 48 | F3098  | Cable clip                            | 2   | 2     | 2     |

† TR20 uses F3468 Bolt

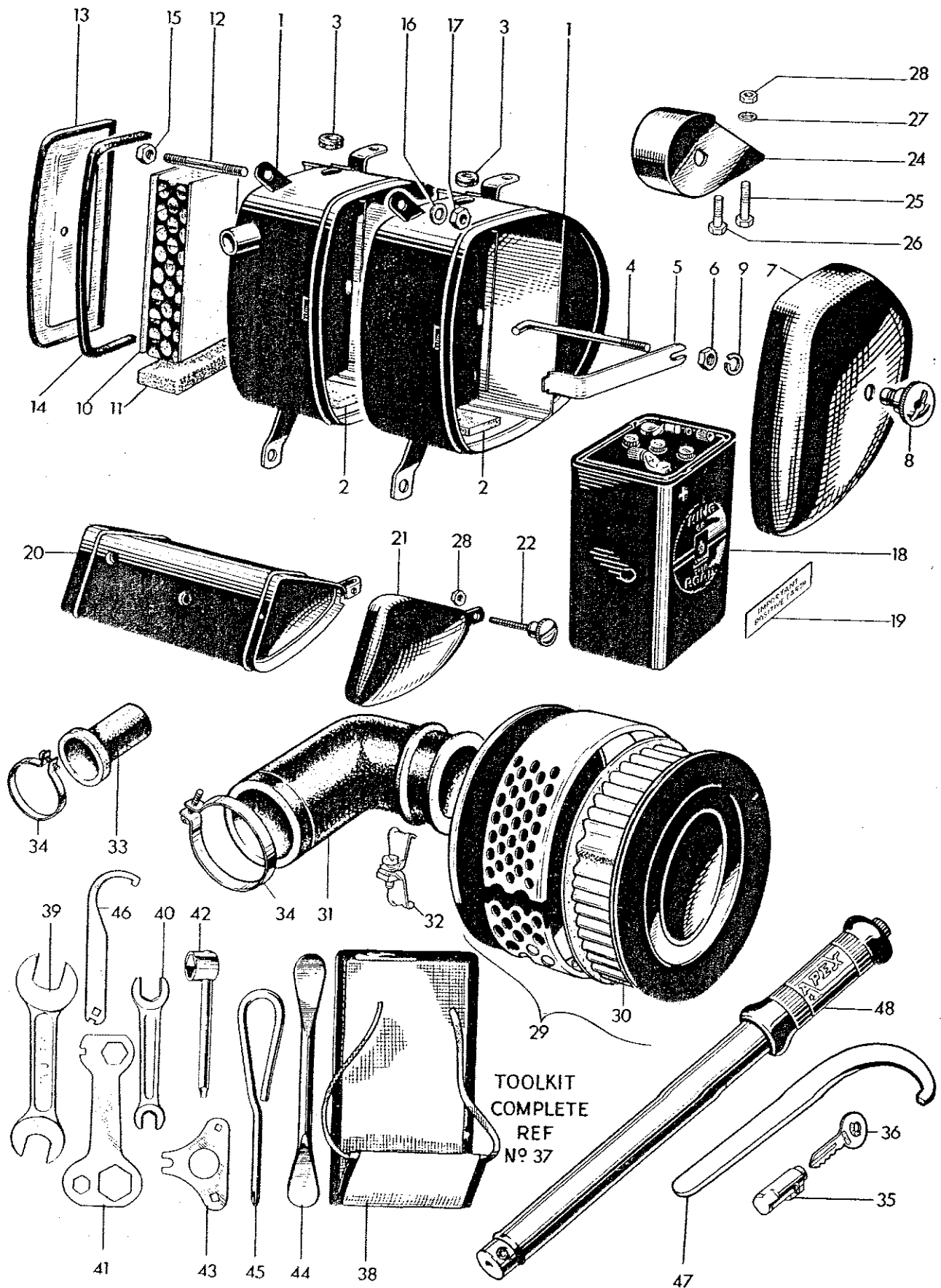
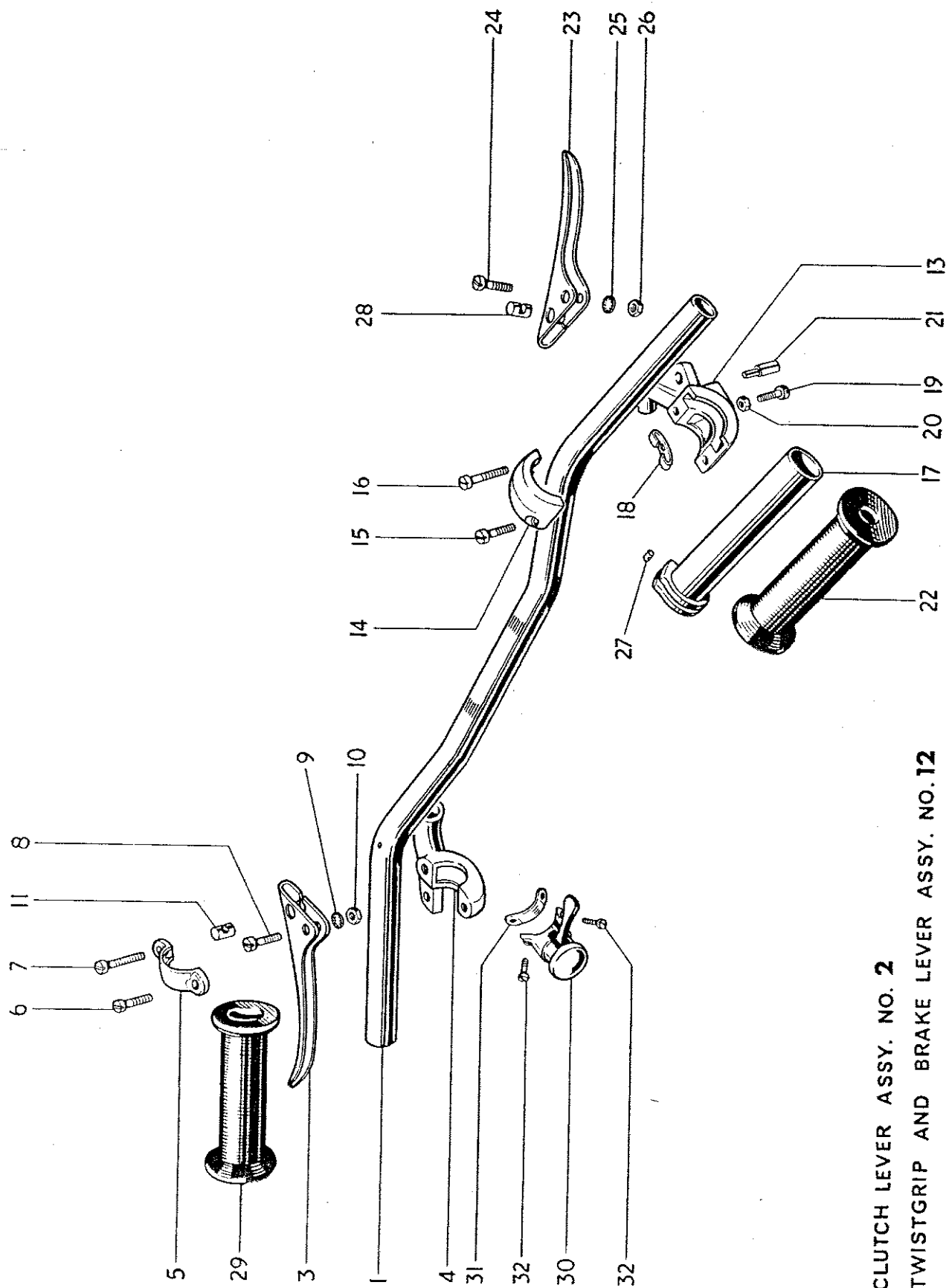


Fig. 17. BATTERY CASE, TOOLBOX AND AIR FILTER

**BATTERY CASE, TOOLBOX AND AIR FILTER**

|    |        |   | T20 | T20SS | T20SH |
|----|--------|---|-----|-------|-------|
| 1  | F4515  | BATTERY CASE AND TOOLBOX                                    | 1   | -     | -     |
| 1  | F5139  | BATTERY CASE, AIR FILTER AND TOOL BOX                       | -   | -     | 1     |
| 2  | F3470  | Rubber pad  | 2   | -     | 2     |
| 3  | 199002 | Grommet   | 1   | -     | 1     |
| 4  | F3472  | Hook bolt   | 1   | -     | 1     |
| 5  | F3473  | Strap   | 1   | -     | 1     |
| 6  | F879   | Nut   | 1   | -     | 1     |
| 7  | F3493  | Lid c/w knob  | 1   | -     | 1     |
| 8  | F3474  | Knob  | 1   | -     | 1     |
| 9  | F3475  | Circlip   | 1   | -     | 1     |
| 10 | F5137  | Air filter element  | -   | -     | 1     |
| 11 | F5140  | Rubber pad  | -   | -     | 1     |
| 12 | F3656  | Stud (1½ in. O.A.)  | -   | -     | 1     |
| 13 | F5141  | Lid   | -   | -     | 1     |
| 14 | H251   | Beading   | -   | -     | 1     |
| 15 | H745   | Nut   | -   | -     | 1     |
| 16 | S25-2  | Plain washer  | 1   | -     | -     |
| 17 | S1-52  | Nut   | 1   | -     | -     |
| 18 | 408200 | Battery PUZ5E/11  | 1   | -     | 1     |
| 19 | A52    | Transfer "Positive earth"                                   | 1   | -     | 1     |
| 20 | F4877  | TOOLBOX   | -   | 1     | -     |
| 21 | F4882  | Toolbox lid   | -   | 1     | -     |
| 22 | F4885  | Fastener screw  | -   | 1     | -     |
| 23 | F4717  | Self locking nut  | -   | 1     | -     |
| 24 | F5143  | Switch bracket  | -   | -     | 2     |
| 25 | F1369  | Bolt (5/8 in. U.H.)   | -   | -     | 1     |
| 26 | DS57   | Bolt (7/16 in. U.H.)  | -   | -     | 3     |
| 27 | E1612  | Serrated washer   | -   | -     | 4     |
| 28 | F879   | Nut   | -   | -     | 4     |
| 29 | †F6428 | AIR FILTER  | -   | 1     | -     |
| 30 | F5694  | Element and back plate assembly (paper element)             | -   | 1     | -     |
| 31 | F5038  | Rubber connector  | -   | 1     | -     |
| 32 | F4810  | Clip  | -   | 1     | -     |
| 33 | F5142  | Rubber connector  | -   | -     | 1     |
| 34 | F3859  | Clip  | -   | 1     | 1     |
| 35 | D402/3 | FRAME LOCK C/W 2 KEYS                                       | 1   | 1     | 1     |
| 36 | D403   | Key (state number)  | 1   | 1     | 1     |
| 37 | D290   | TOOLKIT   | 1   | -     | 1     |
| 37 | D533   | TOOLKIT   | -   | 1     | -     |
| 38 | D291   | Toolbag   | 1   | 1     | 1     |
| 39 | D299   | Open spanner, 3/8 in. x 7/16 in. Whit.                      | 1   | 1     | 1     |
| 40 | D292   | Open spanner, 1/8 in. x 3/16 in. x 1/4 in. x 5/16 in. Whit. | 1   | 1     | 1     |
| 41 | D293   | Combination spanner, 3/16 in. x 5/16 in. x 1/2 in. Whit.    | 1   | 1     | 1     |
| 42 | D294   | Screwdriver and 1/4 in. Whit. spanner                       | 1   | 1     | 1     |
| 43 | DA70   | Clutch key  | 1   | 1     | 1     |
| 44 | NA14A  | Tyre lever  | 1   | 1     | 1     |
| 45 | D335   | Phillips No. 2 screwdriver                                  | 1   | 1     | 1     |
| 46 | D362   | "C" spanner   | -   | 1     | -     |
| 47 | D527   | Fork sleeve nut spanner                                     | -   | A     | A     |
| 48 | D296   | Tyre inflator   | 1   | -     | 1     |

† TR20 uses F4550 air cleaner, E4214 connector and E4215 carburettor adaptor



CLUTCH LEVER ASSY. NO. 2  
 TWISTGRIP AND BRAKE LEVER ASSY. NO. 12

Fig. 18. HANDLEBARS AND CONTROL LEVERS. T20

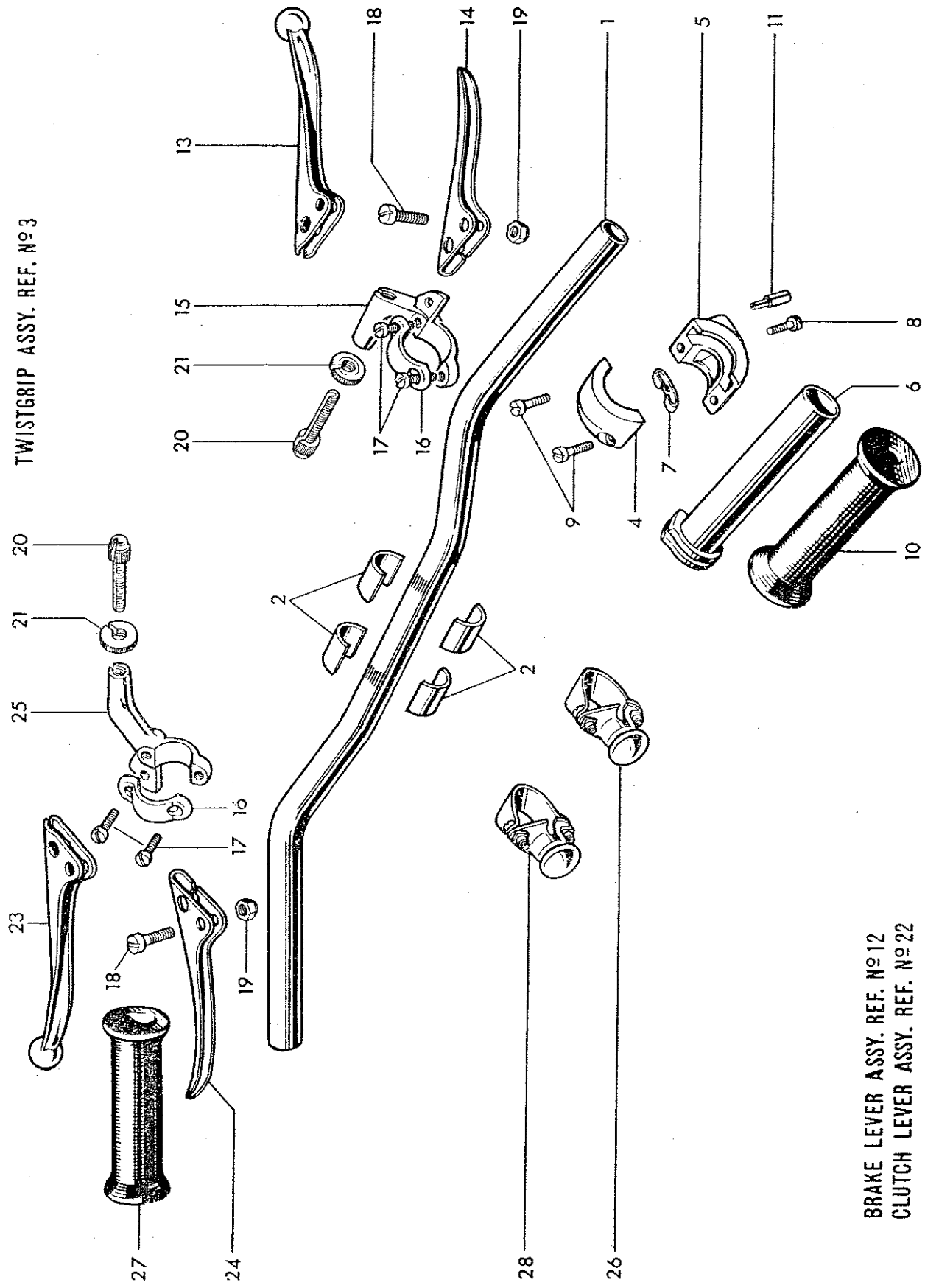
## HANDLEBARS AND CONTROL LEVERS T20

| Ref. No. | Part No. | DESCRIPTION  | QUANTITY |
|----------|----------|--|----------|
|          |          |  | T20      |
| 1        | †H1672   | Handlebar bend ... ..                                    | 1        |
| 2        | †18/1058 | CLUTCH LEVER ASSEMBLY ... ..                             | 1        |
| 3        | 18/1051  | Clutch lever ... ..                                      | 1        |
| 4        | 18/1059  | Clutch lever bracket ... ..                              | 1        |
| 5        | 12/595   | Clamp ... ..   | 1        |
| 6        | 11/013   | Clamp screw ... ..                                       | 1        |
| 7        | 11/014   | Clamp screw ... ..                                       | 1        |
| 8        | 18/087   | Fulcrum screw ... ..                                     | 1        |
| 9        | 70/016   | Spring washer ... ..                                     | 1        |
| 10       | 18/717   | Nut ... ..   | 1        |
| 11       | 18/615   | Barrel nipple (D.506) ... ..                             | 1        |
| 12       | 368/20   | COMBINED TWISTGRIP AND FRONT BRAKE LEVER ASSEMBLY ... .. | 1        |
| 13       | 368/014  | Body bottom half ... ..                                  | 1        |
| 14       | 368/013  | Body top half ... ..                                     | 1        |
| 15       | 11/013   | Clamp screw ... ..                                       | 1        |
| 16       | 11/014   | Clamp screw ... ..                                       | 1        |
| 17       | 366/004  | Rotor ... ..   | 1        |
| 18       | 366/007  | Friction spring ... ..                                   | 1        |
| 19       | 16/009   | Friction spring screw ... ..                             | 1        |
| 20       | 16/010   | Lock nut ... ..  | 1        |
| 21       | 366/006  | Cable stop ... ..  | 1        |
| 22       | 16/070   | Handlebar grip ... ..                                    | 1        |
| 23       | 368/015  | Front brake lever ... ..                                 | 1        |
| 24       | 18/087   | Fulcrum screw ... ..                                     | 1        |
| 25       | 70/016   | Spring washer ... ..                                     | 1        |
| 26       | 18/717   | Nut ... ..   | 1        |
| 27       | 366/005  | Barrel nipple (D.411) for throttle cable ... ..          | 1        |
| 28       | 18/615   | Barrel nipple (D.506) for brake cable ... ..             | 1        |
| 29       | 16/069   | Handlebar grip ... ..                                    | 1        |
| 30       | 31563    | Dipper switch and horn push (25SA) ... ..                | 1        |
| 31       | 380/459  | Backing rubber ... ..                                    | 1        |
| 32       | H713     | Screw ( $\frac{3}{8}$ in. U.H.) ... ..                   | 2        |

† Note. U.S. T20 model uses the following items:-

|   |        |   |
|---|--------|---|
| 1 | H1874  | Handlebar bend (see page 57 for control cables) |
| 2 | 18/798 | CLUTCH LEVER ASSEMBLY                           |

TWISTGRIP ASSY. REF. N°3



BRAKE LEVER ASSY. REF. N°12  
CLUTCH LEVER ASSY. REF. N°22

Fig. 19. HANDLEBARS AND CONTROL LEVERS. T20SS AND T20SH

**HANDLEBARS AND CONTROL LEVERS T20SS AND T20SH**

|    |         |  |     |     |     |     |     |     |     |     | T20SS | T20SH |
|----|---------|--|-----|-----|-----|-----|-----|-----|-----|-----|-------|-------|
| 1  | †H1519  | Handlebar bend                           | ... | ... | ... | ... | ... | ... | ... | ... | 1     | -     |
| 1  | H527    | Handlebar bend                           | ... | ... | ... | ... | ... | ... | ... | ... | -     | 1     |
| 2  | H1425   | Packing piece                            | ... | ... | ... | ... | ... | ... | ... | ... | 4     | 4     |
| 3  | 366/2   | TWISTGRIP                                | ... | ... | ... | ... | ... | ... | ... | ... | 1     | 1     |
| 4  | 366/001 | Body top half                            | ... | ... | ... | ... | ... | ... | ... | ... | 1     | 1     |
| 5  | 366/002 | Body bottom half                         | ... | ... | ... | ... | ... | ... | ... | ... | 1     | 1     |
| 6  | 366/004 | Rotor                                    | ... | ... | ... | ... | ... | ... | ... | ... | 1     | 1     |
| 7  | 366/007 | Friction spring                          | ... | ... | ... | ... | ... | ... | ... | ... | 1     | 1     |
| 8  | 366/008 | Friction spring screw                    | ... | ... | ... | ... | ... | ... | ... | ... | 1     | 1     |
| 9  | 376/079 | Screw                                    | ... | ... | ... | ... | ... | ... | ... | ... | 2     | 2     |
| 10 | 16/070  | Handlebar grip                           | ... | ... | ... | ... | ... | ... | ... | ... | 1     | 1     |
| 11 | 366/006 | Cable stop                               | ... | ... | ... | ... | ... | ... | ... | ... | 1     | 1     |
| 12 | 18/1065 | FRONT BRAKE LEVER ASSEMBLY (Ball end)... | ... | ... | ... | ... | ... | ... | ... | ... | 1     | -     |
| 12 | 18/999  | FRONT BRAKE LEVER ASSEMBLY               | ... | ... | ... | ... | ... | ... | ... | ... | -     | 1     |
| 13 | 18/754  | Brake lever (Ball end)                   | ... | ... | ... | ... | ... | ... | ... | ... | 1     | -     |
| 14 | 18/535  | Brake lever                              | ... | ... | ... | ... | ... | ... | ... | ... | -     | 1     |
| 15 | 18/1013 | Brake lever bracket                      | ... | ... | ... | ... | ... | ... | ... | ... | 1     | 1     |
| 16 | 12/595  | Clamp                                    | ... | ... | ... | ... | ... | ... | ... | ... | 1     | 1     |
| 17 | 11/014  | Screw                                    | ... | ... | ... | ... | ... | ... | ... | ... | 2     | 2     |
| 18 | 18/087  | Fulcrum screw                            | ... | ... | ... | ... | ... | ... | ... | ... | 1     | 1     |
| 19 | 18/053  | Self-locking nut                         | ... | ... | ... | ... | ... | ... | ... | ... | 1     | 1     |
| 20 | 18/1005 | Cable adjuster                           | ... | ... | ... | ... | ... | ... | ... | ... | 1     | 1     |
| 21 | 18/1006 | Thumb nut                                | ... | ... | ... | ... | ... | ... | ... | ... | 1     | 1     |
| 22 | 18/1066 | CLUTCH LEVER ASSEMBLY (Ball end)         | ... | ... | ... | ... | ... | ... | ... | ... | 1     | -     |
| 22 | 18/1000 | CLUTCH LEVER ASSEMBLY                    | ... | ... | ... | ... | ... | ... | ... | ... | -     | 1     |
| 23 | 18/752  | Clutch lever (Ball end)...               | ... | ... | ... | ... | ... | ... | ... | ... | 1     | -     |
| 24 | 18/528  | Clutch lever                             | ... | ... | ... | ... | ... | ... | ... | ... | -     | 1     |
| 25 | 18/1009 | Clutch lever bracket                     | ... | ... | ... | ... | ... | ... | ... | ... | 1     | 1     |
| 16 | 12/595  | Clamp                                    | ... | ... | ... | ... | ... | ... | ... | ... | 1     | 1     |
| 17 | 11/014  | Screw                                    | ... | ... | ... | ... | ... | ... | ... | ... | 2     | 2     |
| 18 | 18/087  | Fulcrum screw                            | ... | ... | ... | ... | ... | ... | ... | ... | 1     | 1     |
| 19 | 18/053  | Self-locking nut                         | ... | ... | ... | ... | ... | ... | ... | ... | 1     | 1     |
| 20 | 18/1005 | Cable adjuster                           | ... | ... | ... | ... | ... | ... | ... | ... | 1     | -     |
| 21 | 18/1006 | Thumb nut                                | ... | ... | ... | ... | ... | ... | ... | ... | 1     | -     |
| 26 | 76204   | Horn push or cut-out button, type 4A     | ... | ... | ... | ... | ... | ... | ... | ... | 2     | 1     |
| 27 | 16/069  | Handlebar grip                           | ... | ... | ... | ... | ... | ... | ... | ... | 1     | 1     |
| 28 | D553    | Horn button, Clear Hooters No. 10        | ... | ... | ... | ... | ... | ... | ... | ... | 1     | -     |

† H1436 Handlebar bend for TR20

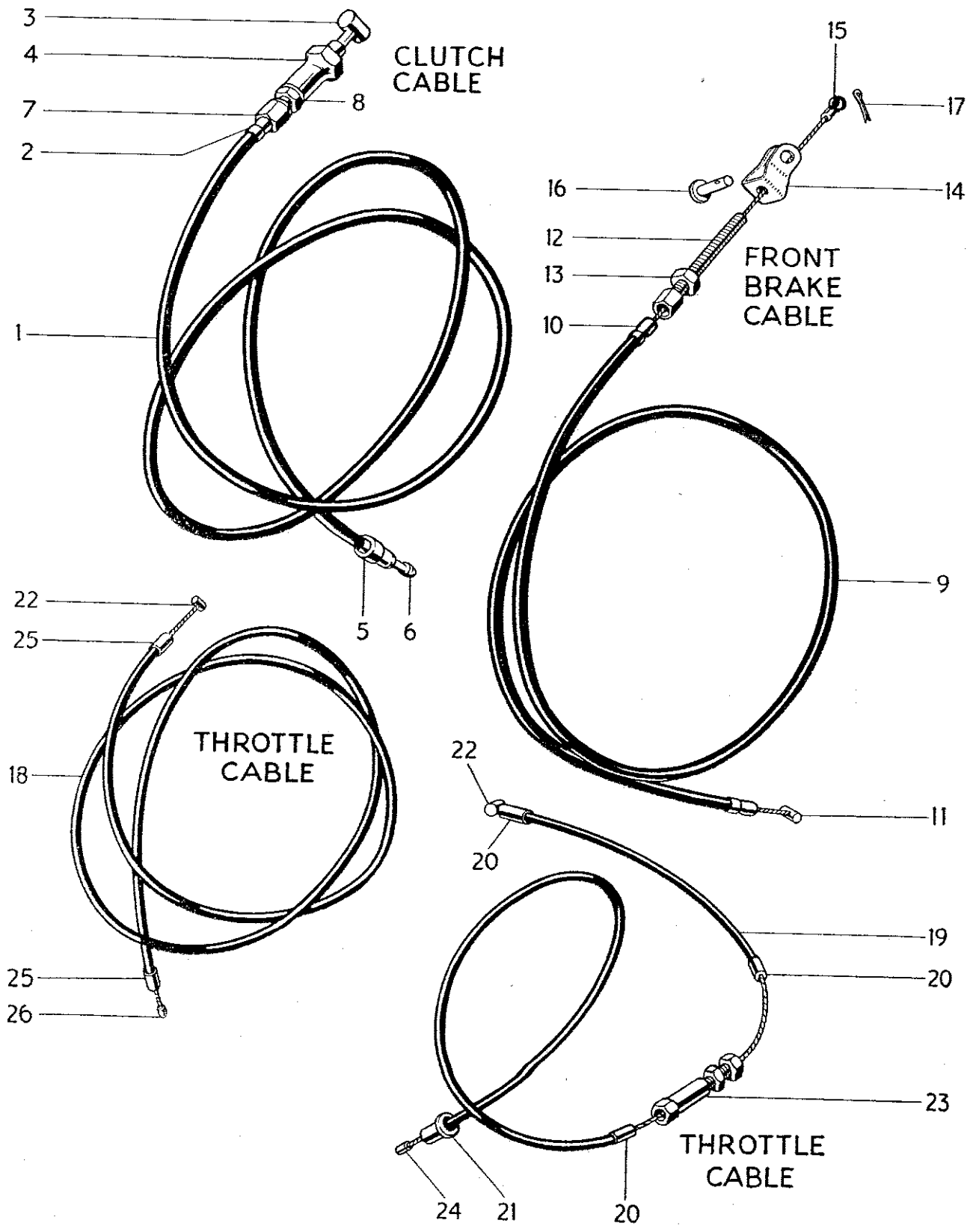


Fig. 20. CONTROL CABLES



**CONTROL CABLES**

|    |                                       |                           | T20 | T20SS | T20SH |
|----|---------------------------------------|---------------------------|-----|-------|-------|
| 1  | *D504                                 | CLUTCH CABLE ... ..       | 1   | -     | -     |
| 1  | D568                                  | CLUTCH CABLE ... ..       | -   | 1     | 1     |
| 2  | D103                                  | Ferrule ... ..            | 2   | 2     | 2     |
| 3  | D506                                  | Nipple (H/Bar end) ... .. | 1   | 1     | 1     |
| 4  | D288                                  | Abutment ... ..           | 1   | -     | -     |
| 5  | D333                                  | Abutment ... ..           | 1   | 1     | 1     |
| 6  | D334                                  | Nipple ... ..             | 1   | 1     | 1     |
| 7  | D319                                  | Cable adjuster ... ..     | 1   | -     | -     |
| 8  | D268                                  | Nut ... ..                | 1   | -     | -     |
| 9  | D505                                  | FRONT BRAKE CABLE ... ..  | 1   | -     | -     |
| 9  | *D564                                 | FRONT BRAKE CABLE ... ..  | -   | 1     | -     |
| 9  | D569                                  | FRONT BRAKE CABLE ... ..  | -   | -     | 1     |
| 10 | D103                                  | Ferrule ... ..            | 2   | 2     | 2     |
| 11 | D506                                  | Nipple (H/Bar end) ... .. | 1   | 1     | 1     |
| 12 | D279                                  | Cable adjuster ... ..     | 1   | -     | -     |
| 13 | F879                                  | Nut ... ..                | 1   | -     | -     |
| 14 | D280                                  | Clevis ... ..             | 1   | 1     | 1     |
| 15 | DS73                                  | Nipple ... ..             | 1   | 1     | 1     |
| 16 | D281                                  | Clevis pin ... ..         | 1   | 1     | 1     |
| 17 | $\frac{1}{8}$ in. x $\frac{3}{8}$ in. | Split pin ... ..          | 1   | 1     | 1     |
| 18 | D453                                  | THROTTLE CABLE ... ..     | 1   | -     | -     |
| 19 | D420                                  | THROTTLE CABLE ... ..     | -   | 1     | 1     |
| 20 | 12/083                                | Ferrule ... ..            | -   | 3     | 3     |
| 21 | 6/132A                                | Ferrule ... ..            | -   | 1     | 1     |
| 22 | D411                                  | Nipple (H/Bar end) ... .. | 1   | 1     | 1     |
| 23 | D104                                  | Adjuster ... ..           | -   | 1     | 1     |
| 24 | NS191                                 | Nipple ... ..             | -   | 1     | 1     |
| 25 | 18/145                                | Ferrule ... ..            | 2   | -     | -     |
| 26 | D407                                  | Nipple ... ..             | 1   | -     | -     |

\*Use alternative shown with "overseas" type handlebars H1874

|   |      |                          |   |   |   |
|---|------|--------------------------|---|---|---|
| 1 | D562 | CLUTCH CABLE ... ..      | 1 | - | - |
| 9 | D563 | FRONT BRAKE CABLE ... .. | 1 | - | - |

# CARBURETTER COMPLETE REF. No. 1

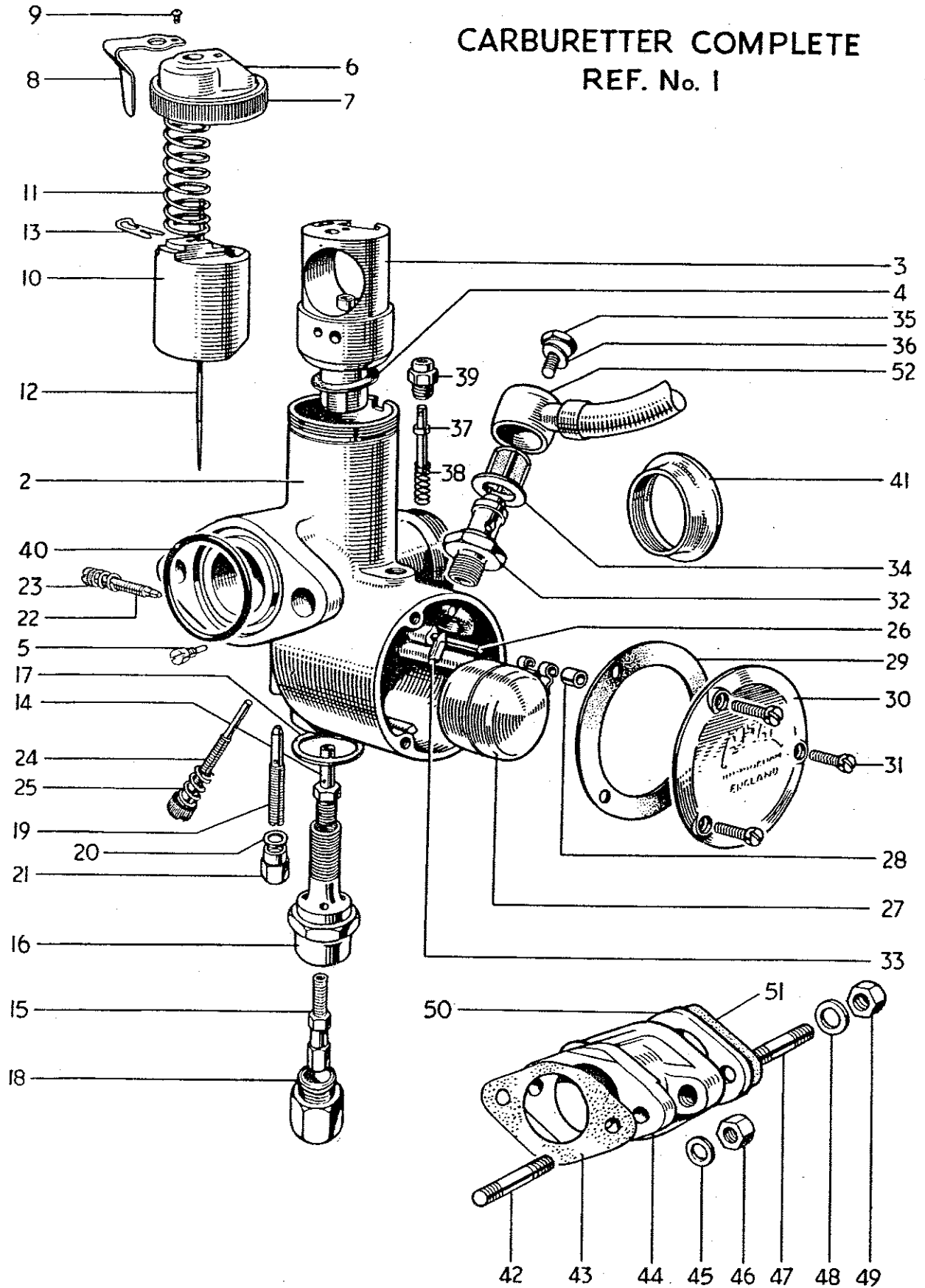


Fig. 21. AMAL CARBURETTER, TYPE 376

**AMAL CARBURETTER, TYPE 376**

T20SS T20SH

|    |          |   |   |   |
|----|----------|---|---|---|
| 1  | 376/272  | CARBURETTER COMPLETE (T20 SM 376/314) ...             | 1 | 1 |
| 2  | 376/001  | Mixing chamber ...                                    | 1 | 1 |
| 3  | 376/055  | Jet block ...   | 1 | 1 |
| 4  | 376/067  | Joint washer ...                                      | 1 | 1 |
| 5  | 376/070  | Peg screw ...   | 1 | 1 |
| 6  | 376/155  | Mixing chamber top ...                                | 1 | 1 |
| 7  | 376/065  | Cap ring ...  | 1 | 1 |
| 8  | 29/308   | Spring ...  | 1 | 1 |
| 9  | 4/241    | Screw ...   | 1 | 1 |
| 10 | 376/060  | Throttle valve (No. 3 Cutaway) (T20SM—2½ Cutaway) ... | 1 | 1 |
| 11 | 376/061  | Spring ...  | 1 | 1 |
| 12 | 376/063  | Needle (Type C) ...                                   | 1 | 1 |
| 13 | 4/230    | Clip ...  | 1 | 1 |
| 14 | 376/072  | Needle jet (106) (T20SM—105) ...                      | 1 | 1 |
| 15 | 376/100  | Main jet (140) ...                                    | 1 | 1 |
| 16 | 376/073  | Jet holder ...  | 1 | 1 |
| 17 | 376/074  | Fibre washer ...                                      | 1 | 1 |
| 18 | 376/075  | Cover nut ...   | 1 | 1 |
| 19 | 376/076  | Pilot jet (20) (T20SM—15) ...                         | 1 | 1 |
| 20 | 116/162  | Fibre washer ...                                      | 1 | 1 |
| 21 | 376/095  | Cover nut ...   | 1 | 1 |
| 22 | 332/017  | Air adjusting screw ...                               | 1 | 1 |
| 23 | 4/148    | Spring ...  | 1 | 1 |
| 24 | 376/068  | Throttle stop screw ...                               | 1 | 1 |
| 25 | 376/069  | Spring ...  | 1 | 1 |
| 26 | 376/085  | Float spindle ...                                     | 1 | 1 |
| 27 | 376/083  | Float ...   | 1 | 1 |
| 28 | 376/094  | Bush ...  | 1 | 1 |
| 29 | 376/078  | Joint washer ...                                      | 1 | 1 |
| 30 | 376/077  | Cover ...   | 1 | 1 |
| 31 | 376/079  | Screw ...   | 3 | 3 |
| 32 | 376/088  | Needle seating ...                                    | 1 | 1 |
| 33 | 376/089  | Needle ...  | 1 | 1 |
| 34 | 376/093  | Filter ...  | 1 | 1 |
| 35 | 376/091  | Bolt ...  | 1 | 1 |
| 36 | 376/092  | Fibre washer ...                                      | 1 | 1 |
| 37 | 376/086  | Tickler ...   | 1 | 1 |
| 38 | 376/087  | Spring ...  | 1 | 1 |
| 39 | 343/011  | Tickler body ...                                      | 1 | 1 |
| 40 | 244/1048 | "O" ring seal ...                                     | 1 | 1 |
| 41 | 376/066  | Air intake tube ...                                   | A | A |
| 42 | E3956    | Stud (1 in. O.A.) ...                                 | 2 | 2 |
| 43 | E4051    | Joint washer ...                                      | 1 | 1 |
| 44 | E4213    | Adaptor ...   | 1 | 1 |
| 45 | E2728    | Plain washer ...                                      | 2 | 2 |
| 46 | W103     | Nut ...   | 2 | 2 |
| 47 | E1553    | Stud (1½ in. O.A.) ...                                | 2 | 2 |
| 48 | S25-3    | Plain washer ...                                      | 2 | 2 |
| 49 | S1-51    | Nut ...   | 2 | 2 |
| 50 | E4504    | Insulating block ...                                  | 1 | 1 |
| 51 | NA43     | Joint washer ...                                      | 1 | 1 |
| 52 | F4886    | Petrol pipe ...                                       | 1 | 1 |

CARBURETTER COMPLETE  
REF. N° 1

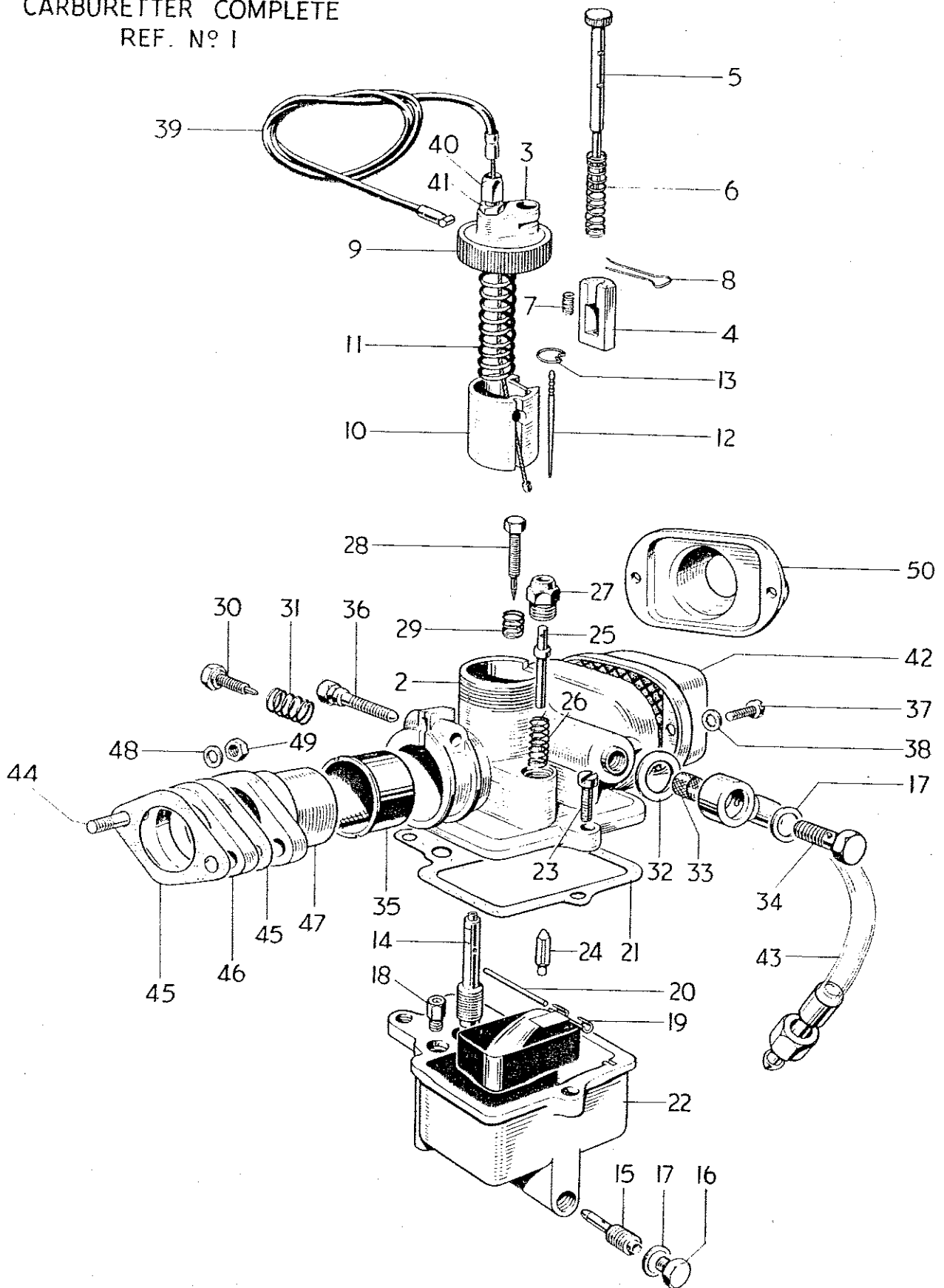


Fig. 22. AMAL CARBURETTER, TYPE 32

## AMAL CARBURETTER, TYPE 32

T20

| Ref. No. | Part No. | DESCRIPTION                      | QUANTITY |
|----------|----------|----------------------------------|----------|
| 1        | †32/1    | CARBURETTER C/W THROTTLE CABLE   | 1        |
| 2        | 32/001   | Mixing chamber                   | -        |
| 3        | 363/094  | Mixing chamber top               | 1        |
| 4        | 32/045   | Air valve                        | 1        |
| 5        | 32/048   | Air valve rod                    | 1        |
| 6        | 332/009  | Return spring                    | 1        |
| 7        | 332/008  | Bottom spring                    | 1        |
| 8        | 32/050   | Click spring                     | 1        |
| 9        | 332/012  | Cap ring                         | 1        |
| 10       | 32/046   | Throttle valve (No. 4 Cutaway)   | 1        |
| 11       | 332/021  | Throttle return spring           | 1        |
| 12       | 32/028   | Needle                           | 1        |
| 13       | 363/093  | Needle clip                      | 1        |
| 14       | 32/033   | Needle jet (103)                 | 1        |
| 15       | 32/023   | Main jet (85)                    | 1        |
| 16       | 335/024  | Plug screw                       | 1        |
| 17       | 116/124  | Fibre washer                     | 2        |
| 18       | 4/042    | Pilot jet (15)                   | 1        |
| 19       | 32/041   | Float                            | 1        |
| 20       | 32/032   | Float spindle                    | 1        |
| 21       | 32/021   | Joint washer                     | 1        |
| 22       | 32/020   | Float chamber                    | 1        |
| 23       | 32/038   | Screw                            | 2        |
| 24       | 376/089  | Float needle                     | 1        |
| 25       | 343/012  | Tickler                          | 1        |
| 26       | 376/087  | Tickler spring                   | 1        |
| 27       | 343/011  | Tickler body                     | 1        |
| 28       | 376/119  | Pliot air screw                  | 1        |
| 29       | 4/148    | Spring                           | 1        |
| 30       | 32/066   | Throttle stop screw              | 1        |
| 31       | 198/012  | Spring                           | 1        |
| 32       | 391/026  | Fibre washer                     | 1        |
| 33       | 32/026   | Filter gauze                     | 1        |
| 34       | 32/027   | Banjo bolt                       | 1        |
| 35       | 32/029   | Insulating sleeve                | 1        |
| 36       | 4/048    | Clamping screw                   | 1        |
| 37       | 32/044   | Screw                            | 2        |
| 38       | 32/043   | Serrated washer                  | 2        |
| 39       | D453     | Throttle cable                   | 1        |
| 40       | 4/035    | Cable adjuster                   | 1        |
| 41       | 5/077    | Adjuster locknut                 | 1        |
| 42       | †E3981   | Filter                           | 1        |
| 43       | F5089    | Petrol pipe                      | 1        |
| 44       | E3171    | Stud (1 $\frac{5}{32}$ in. O.A.) | 2        |
| 45       | E3250    | Joint washer                     | 2        |
| 46       | E3254    | Insulating block                 | 1        |
| 47       | E3954    | Carburetter adaptor              | 1        |
| 48       | S25-13   | Plain washer                     | 2        |
| 49       | F879     | Nut                              | 2        |
| 50       | E3955    | Air intake adaptor               | -        |

† 32/3 Carburetter fitted to U.S.A. export machines has No. 2 throttle valve, 110 main jet and F6429 air filter (element No. E4063)

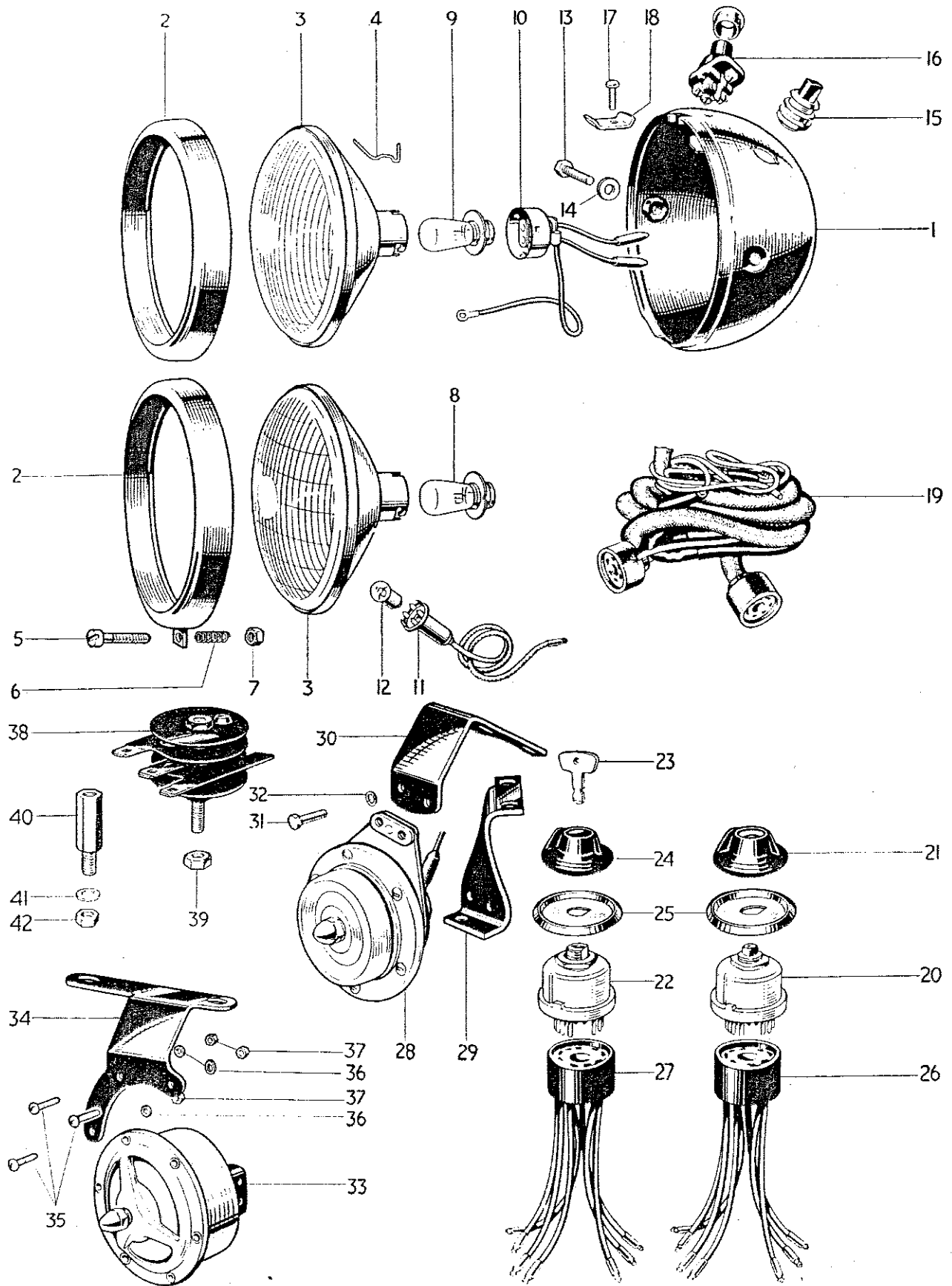


Fig. 23. ELECTRICAL EQUIPMENT, T20, T20SS AND T20SH

| Ref. No. | Part No. | DESCRIPTION | QUANTITY |  |  |
|----------|----------|-------------|----------|--|--|
|----------|----------|-------------|----------|--|--|

### ELECTRICAL EQUIPMENT

|    |          |  | T20 | T20SS | T20SH |
|----|----------|--|-----|-------|-------|
| 1  | †58975   | HEADLAMP ASSEMBLY, MCF 575P            | 1   | -     | -     |
| 1  | 58395    | HEADLAMP ASSEMBLY, MCH 66              | -   | 1     | -     |
| 1  | 58935    | HEADLAMP ASSEMBLY, MCH 66              | -   | -     | 1     |
| 2  | 516723   | Rim                                    | 1   | -     | -     |
| 2  | 534343   | Rim                                    | -   | 1     | 1     |
| 3  | 54520452 | Light unit                             | -   | 1     | -     |
| 3  | 516828   | Light unit                             | 1   | -     | 1     |
| 4  | 500291   | Fixing wire                            | 5   | -     | -     |
| 4  | 504665   | Fixing wire                            | -   | 6     | 6     |
| 5  | 516710   | Screw (H876)                           | 1   | -     | -     |
| 6  | 552373   | Spring (H875)                          | 1   | -     | -     |
| 7  | 166014   | Nut (H745)                             | 1   | -     | -     |
| 8  | 312      | Bulb (30/24W. Pre-focus, Vertical Dip) | 1   | -     | -     |
| 9  | 166      | Bulb (24/24W. Pre-focus, Vertical Dip) | -   | 1     | 1     |
| 10 | 554602   | Adaptor                                | 1   | 1     | 1     |
| 11 | 554710   | Pilot bulbholder                       | 1   | -     | 1     |
| 12 | 988      | Bulb (3W. M.C.C.)                      | 1   | -     | 1     |
| 13 | 112201   | Bolt                                   | -   | 2     | 2     |
| 14 | 137499   | Washer                                 | -   | 2     | 2     |
| 15 | 31356    | Lighting switch                        | -   | 1     | -     |
| 16 | 31620    | Dip switch                             | -   | 1     | 1     |
| 17 | 144921   | Screw                                  | -   | 1     | 1     |
| 18 | 534296   | Plate                                  | -   | 1     | 1     |
| 19 | 54094418 | Wiring harness                         | 1   | -     | -     |
| 19 | 54094433 | Wiring harness                         | -   | 1     | -     |
| 19 | 54933224 | Wiring harness                         | -   | -     | 1     |
| 20 | 34289    | Lighting switch, type 88SA             | 1   | -     | 1     |
| 21 | 54330934 | Knob c/w screw                         | 1   | -     | 1     |
| 22 | 34427    | IGNITION SWITCH c/w KEY, TYPE 88SA     | 1   | -     | 1     |
| 23 | 54336176 | Ignition key                           | 1   | -     | 1     |
| 24 | 54336178 | Ignition switch cover                  | 1   | -     | 1     |
| 25 | 54330485 | Switch bezel plate                     | 2   | -     | -     |
| 26 | 54930007 | Replacement harness socket (lighting)  | A   | -     | A     |
| 27 | 54930008 | Replacement harness socket (ignition)  | A   | -     | A     |
| 28 | 70178    | Horn, type 8H                          | 1   | -     | 1     |
| 29 | F5359    | Bracket                                | 1   | -     | -     |
| 30 | H1429    | Bracket                                | -   | -     | 1     |
| 31 | F4771    | Bolt (1/2 in. U.H.)                    | 2   | -     | 2     |
| 32 | GS299    | Serrated washer                        | 2   | -     | 2     |
| 33 | 70145    | Horn, type HF 1950                     | -   | 1     | -     |
| 34 | H1304    | Bracket                                | -   | 1     | -     |
| 35 | F5008    | Screw (7/8 in. U.H.)                   | -   | 3     | -     |
| 36 | E2880    | Serrated washer                        | -   | 3     | -     |
| 37 | H691     | Nut                                    | -   | 3     | -     |
| 38 | 49072    | Rectifier, type DS 506                 | 1   | -     | 1     |
| 39 | F5338    | Nut                                    | 1   | -     | -     |
| 40 | F5431    | Extended nut                           | -   | -     | 1     |
| 41 | E2287    | Serrated washer                        | -   | -     | 1     |
| 42 | S1-51    | Nut                                    | -   | -     | 1     |

See Page 65 for connectors

† 59004 Headlamp used on U.S.A. T20 model

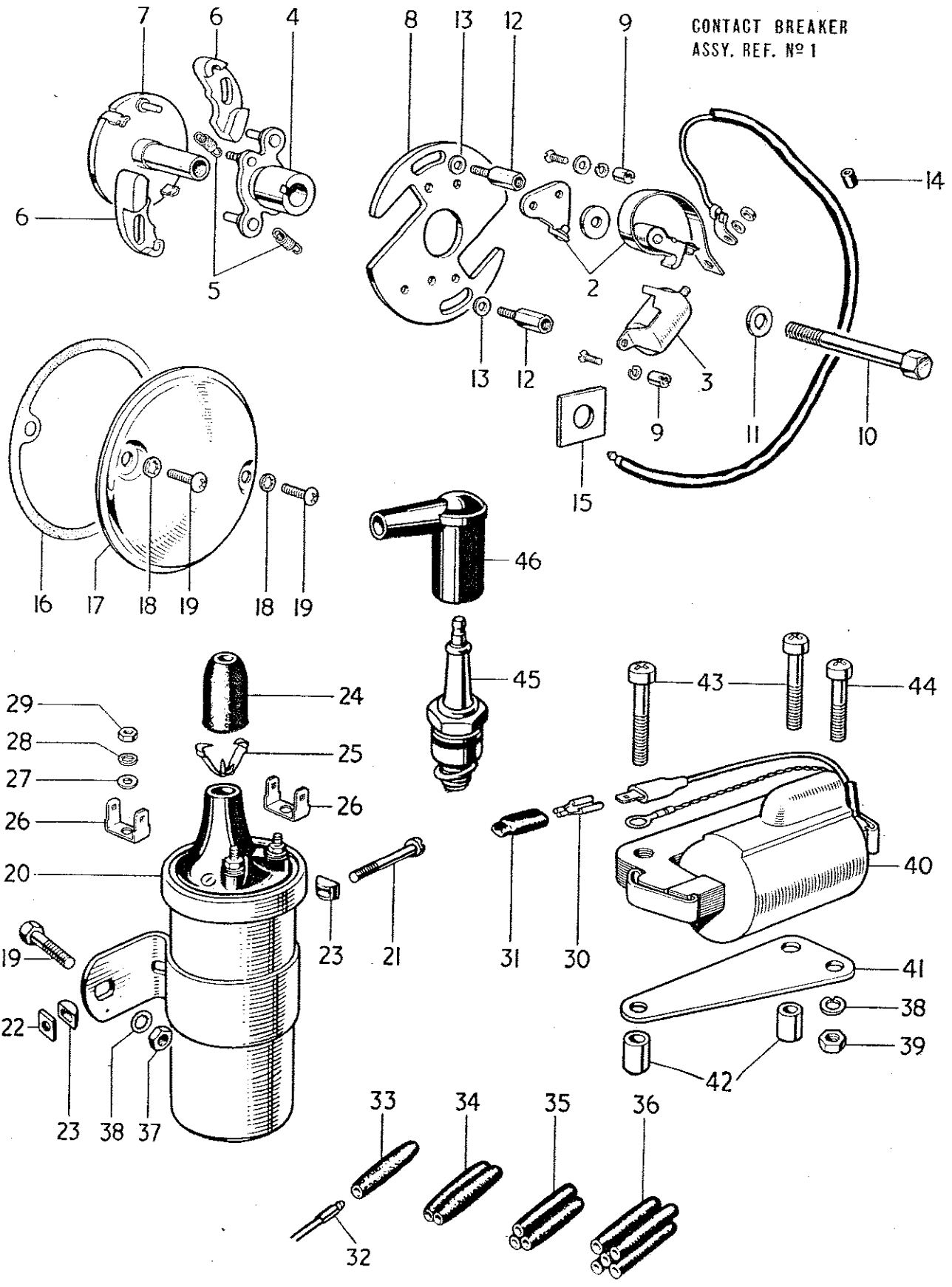


Fig. 24. CONTACT BREAKER AND IGNITION COILS



### CONTACT BREAKER AND IGNITION COIL

|    |          |   | T20 | T20SS       | T20SH |
|----|----------|---|-----|-------------|-------|
| 1  | 47604    | CONTACT BREAKER, type 4CA               | 1   | -           | 1     |
| 1  | 47603    | CONTACT BREAKER, type 4CA               | -   | 1           | -     |
| 2  | 54415803 | Contact set                             | 1   | 1           | 1     |
| 3  | 425377   | Condenser                               | 1   | 1           | 1     |
| 4  | 54440029 | Cam                                     | 1   | -           | 1     |
| 4  | 54415053 | Cam                                     | -   | 1           | -     |
| 5  | 425768   | Spring set                              | 1   | -           | 1     |
| 5  | 54415640 | Spring set                              | -   | 1           | -     |
| 6  | 54440031 | Weight                                  | 2   | 2           | 2     |
| 7  | 54415655 | Sleeve and action plate                 | 1   | -           | 1     |
| 7  | 54415749 | Sleeve and action plate                 | -   | 1           | -     |
| 8  | 425370   | Base plate                              | 1   | 1           | 1     |
| 9  | 169194   | Slotted nut                             | 2   | 2           | 2     |
| 10 | E5451    | Bolt (2 in. U.H.)                       | 1   | 1           | 1     |
| 11 | S25-43   | Plain washer                            | 1   | 1           | 1     |
| 12 | E4747    | Pillar bolt ( $\frac{13}{32}$ in. U.H.) | 2   | 2           | 2     |
| 13 | E2351    | Plain washer                            | 2   | 2           | 2     |
| 14 | E4750    | Grommet                                 | 1   | 1           | 1     |
| 15 | E5050    | Cable clip                              | 1   | 1           | 1     |
| 16 | E5049    | Joint washer                            | 1   | 1           | 1     |
| 17 | E4571    | Cover                                   | 1   | 1           | 1     |
| 18 | GS299    | Serrated washer                         | 2   | 2           | 2     |
| 19 | F4715    | Screw ( $\frac{13}{32}$ in. U.H.)       | 2   | 2           | 2     |
| 20 | 45152    | COIL, type MA.6                         | 1   | -           | 1     |
| 21 | 100104   | Clip screw                              | 1   | -           | 1     |
| 22 | 169160   | Square nut                              | 1   | -           | 1     |
| 23 | 422369   | "D" washer                              | 2   | -           | 2     |
| 24 | 421554   | Grommet                                 | 1   | -           | 1     |
| 25 | 421863   | Clip                                    | 1   | -           | 1     |
| 26 | 54190108 | Lucar terminal                          | 2   | -           | 2     |
| 27 | 131023   | Plain washer (E2351)                    | 2   | -           | 2     |
| 28 | 188330   | Serrated washer (GS299)                 | 2   | -           | 2     |
| 29 | 166043   | Nut (F3799)                             | 2   | -           | 2     |
| 30 | 54942078 | Lucar connector                         |     | As required |       |
| 31 | 54190042 | Insulating cover                        |     | As required |       |
| 32 | 900269   | Snap connector terminal                 |     | As required |       |
| 33 | 900288   | Single snap connector                   |     | As required |       |
| 34 | 850641   | Double snap connector                   |     | As required |       |
| 35 | 850844   | Triple snap connector                   |     | As required |       |
| 36 | 850832   | Quintuple snap connector                |     | As required |       |
| 37 | DS57     | Bolt ( $\frac{7}{16}$ in. U.H.)         | 2   | -           | 2     |
| 38 | E1612    | Serrated washer                         | 2   | 1           | 2     |
| 39 | F879     | Nut                                     | 2   | 1           | 2     |
| 40 | 45149    | Ignition coil, type 3 ET                | -   | 1           | -     |
| 41 | F5396    | Bracket                                 | -   | 1           | -     |
| 42 | F4374    | Spacer                                  | -   | 2           | -     |
| 43 | E3800    | Screw ( $\frac{7}{8}$ in. U.H.)         | -   | 2           | -     |
| 44 | E3668    | Screw ( $\frac{5}{16}$ in. U.H.)        | -   | 1           | -     |
| 45 | -        | Sparking plug (Champion L7)             | 1   | 1           | 1     |
| 46 | D297     | Plug cover and suppressor               | 1   | 1           | 1     |
| 46 | D262     | Plug cover                              | A   | A           | A     |

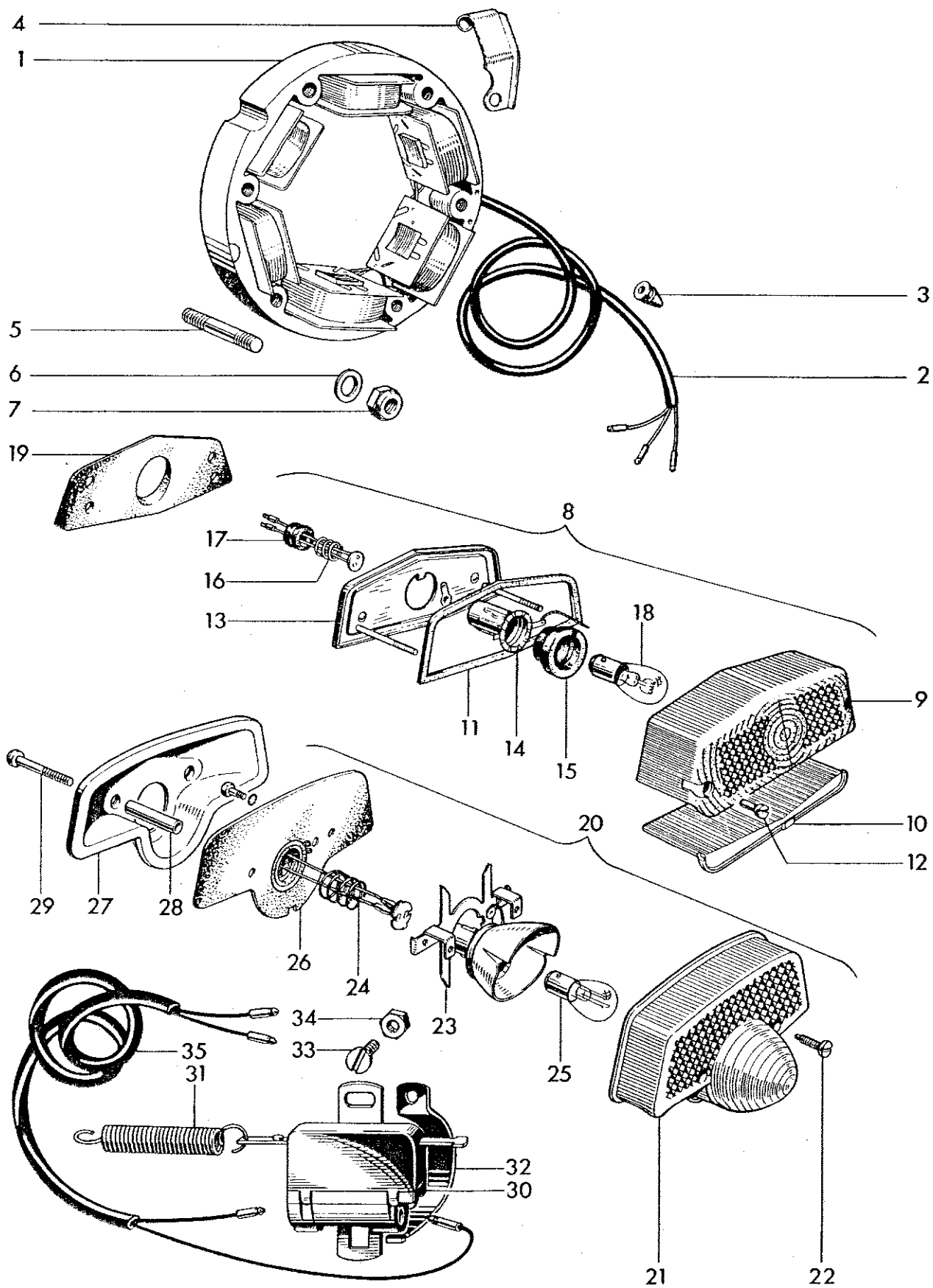


Fig. 25. STATOR, TAIL LAMP AND STOP LAMP SWITCH

STATOR, TAIL LAMP AND STOP LAMP SWITCH

|    |          |                                  |     |     |     |     |     |     |     | T20 | T20SS | T20SH |
|----|----------|----------------------------------|-----|-----|-----|-----|-----|-----|-----|-----|-------|-------|
| 1  | 47161    | STATOR, type RM18                | ... | ... | ... | ... | ... | ... | ... | 1   | -     | 1     |
| 1  | 47173    | STATOR, type RM19                | ... | ... | ... | ... | ... | ... | ... | -   | 1     | -     |
| 2  | 54942271 | Stator output cable              | ... | ... | ... | ... | ... | ... | ... | 1   | -     | 1     |
| 2  | 54944251 | Stator output cable              | ... | ... | ... | ... | ... | ... | ... | -   | 1     | -     |
| 3  | D455     | Grommet                          | ... | ... | ... | ... | ... | ... | ... | 1   | 1     | 1     |
| 4  | E4485    | Clip                             | ... | ... | ... | ... | ... | ... | ... | 1   | 1     | 1     |
| 5  | E3171    | Stud (1 $\frac{5}{32}$ in. O.A.) | ... | ... | ... | ... | ... | ... | ... | 5   | -     | 5     |
| 5  | E3718    | Stud (1 $\frac{5}{16}$ in. O.A.) | ... | ... | ... | ... | ... | ... | ... | -   | 5     | -     |
| 6  | E3302    | Plain washer                     | ... | ... | ... | ... | ... | ... | ... | 4   | -     | 4     |
| 6  | S25-13   | Plain washer                     | ... | ... | ... | ... | ... | ... | ... | -   | 5     | -     |
| 7  | E5269    | Self-locking nut                 | ... | ... | ... | ... | ... | ... | ... | 5   | 5     | 5     |
| 8  | 53394    | STOP AND TAIL LAMP, Type 564     | ... | ... | ... | ... | ... | ... | ... | 1   | -     | 1     |
| 9  | 573839   | Lens                             | ... | ... | ... | ... | ... | ... | ... | 1   | -     | 1     |
| 10 | 575200   | Window                           | ... | ... | ... | ... | ... | ... | ... | 1   | -     | 1     |
| 11 | 575208   | Lens seating gasket              | ... | ... | ... | ... | ... | ... | ... | 1   | -     | 1     |
| 12 | 575219   | Sleeve nut                       | ... | ... | ... | ... | ... | ... | ... | 2   | -     | 2     |
| 13 | 576002   | Base assembly                    | ... | ... | ... | ... | ... | ... | ... | 1   | -     | 1     |
| 14 | 575209   | Bulbholder                       | ... | ... | ... | ... | ... | ... | ... | 1   | -     | 1     |
| 15 | 575207   | Grommet                          | ... | ... | ... | ... | ... | ... | ... | 1   | -     | 1     |
| 16 | 573828   | Contact assembly                 | ... | ... | ... | ... | ... | ... | ... | 1   | -     | 1     |
| 17 | 573825   | Grommet                          | ... | ... | ... | ... | ... | ... | ... | 1   | -     | 1     |
| 18 | 352      | Bulb (3/18W. Offset pin)         | ... | ... | ... | ... | ... | ... | ... | 1   | -     | 1     |
| 19 | F6437    | Adaptor wedge                    | ... | ... | ... | ... | ... | ... | ... | 1   | -     | 1     |
| 20 | 53972    | STOP AND TAIL LAMP TYPE, L679    | ... | ... | ... | ... | ... | ... | ... | -   | 1     | -     |
| 21 | 54572932 | Lens                             | ... | ... | ... | ... | ... | ... | ... | -   | 1     | -     |
| 22 | 572289   | Screw                            | ... | ... | ... | ... | ... | ... | ... | -   | 2     | -     |
| 23 | 54574348 | Bulb holder with reflector       | ... | ... | ... | ... | ... | ... | ... | -   | 1     | -     |
| 24 | 573828   | Contact assembly                 | ... | ... | ... | ... | ... | ... | ... | -   | 1     | -     |
| 25 | 384      | Bulb (6/18W. Offset pin)         | ... | ... | ... | ... | ... | ... | ... | -   | 1     | -     |
| 26 | 54571677 | Gasket                           | ... | ... | ... | ... | ... | ... | ... | -   | 1     | -     |
| 27 | F6436    | Adaptor housing                  | ... | ... | ... | ... | ... | ... | ... | -   | 1     | -     |
| 28 | F6438    | Distance tube                    | ... | ... | ... | ... | ... | ... | ... | -   | 2     | -     |
| 29 | F6439    | Screw (13 in. U.H.)              | ... | ... | ... | ... | ... | ... | ... | -   | 2     | -     |
| 30 | 31437    | Stop lamp switch                 | ... | ... | ... | ... | ... | ... | ... | A   | A     | A     |
| 31 | 315738   | Stop lamp switch spring          | ... | ... | ... | ... | ... | ... | ... | 1   | 1     | 1     |
| 32 | F4114    | Switch bracket                   | ... | ... | ... | ... | ... | ... | ... | 1   | 1     | 1     |
| 33 | H687     | Bolt ( $\frac{3}{8}$ in. U.H.)   | ... | ... | ... | ... | ... | ... | ... | 1   | 1     | 1     |
| 34 | H745     | Nut                              | ... | ... | ... | ... | ... | ... | ... | 1   | 1     | 1     |
| 35 | 54941045 | Stop switch lead                 | ... | ... | ... | ... | ... | ... | ... | 1   | 1     | 1     |

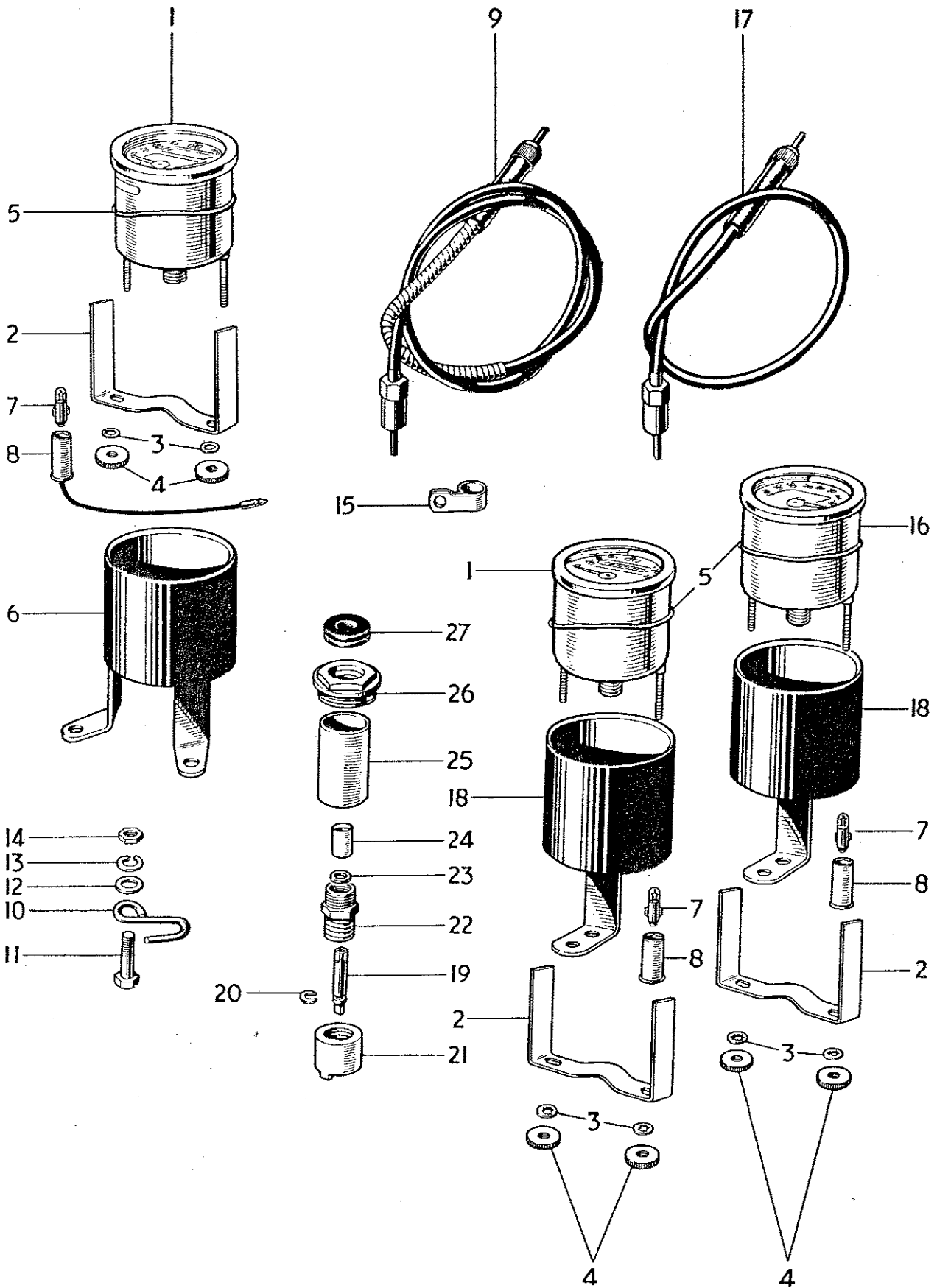


Fig. 26. SPEEDOMETER AND TACHOMETER EQUIPMENT

### SPEEDOMETER AND TACHOMETER EQUIPMENT

| SPEEDOMETER EQUIPMENT ONLY                    |               |   | T20 | T20SS | T20SH |
|---|---------------|---|-----|-------|-------|
| 1   | †SSM2001/00   | SPEEDOMETER 80 M.P.H.                       | 1   | 1     | 1     |
| 1   | SSM2001/03    | SPEEDOMETER 140 K.P.H.                      | A   | A     | A     |
| 2   | 31-647-187-01 | Fixing strap                                | 1   | 1     | 1     |
| 3   | 30-283-014-11 | Serrated washer                             | 2   | 2     | 2     |
| 4   | 30-271-014-11 | Nut   | 2   | 2     | 2     |
| 5   | 31-753-720    | Rubber ring                                 | 1   | 1     | 1     |
| 6   | H1468         | Speedometer cover                           | -   | 1     | 1     |
| 7   | 282           | Bulb 0.6W BA7S                              | 1   | 1     | 1     |
| 8   | 54935300      | Bulbholder                                  | 1   | 1     | 1     |
| 9   | D490          | Speedometer cable                           | 1   | 1     | 1     |
| 10  | F5404         | Speedometer cable steady                    | 1   | -     | -     |
| 11  | F1369         | Bolt ( $\frac{5}{8}$ in. U.H.) cable steady | 1   | -     | -     |
| 12  | S25-13        | Plain washer, cable steady                  | 1   | -     | -     |
| 13  | S26-2         | Spring washer, cable steady                 | 1   | -     | -     |
| 14  | F879          | Nut, cable steady                           | 1   | -     | -     |
| 15  | F3098         | Speedometer cable clip                      | 1   | -     | -     |
| TACHOMETER EQUIPMENT ONLY                     |               |   |     |       |       |
| 16  | RSM2002/00    | TACHOMETER HEAD 10,000 R.P.M.               | -   | 1     | 1     |
| 2   | 31-647-187-01 | Fixing strap                                | -   | 1     | 1     |
| 3   | 30-283-014-11 | Serrated washer                             | -   | 2     | 2     |
| 4   | 30-271-014-11 | Nut   | -   | 2     | 2     |
| 5   | 31-753-720    | Rubber ring                                 | -   | 1     | 1     |
| 6   | H1468         | Tachometer cover                            | -   | 1     | 1     |
| 7   | 282           | Bulb 0.6W BA7S                              | -   | 1     | 1     |
| 8   | 54935300      | Bulbholder                                  | -   | 1     | 1     |
| 17  | D529          | Tachometer cable                            | -   | 1     | 1     |
| COMBINED SPEEDOMETER AND TACHOMETER EQUIPMENT |               |   |     |       |       |
| 1   | SSM2001/00    | SPEEDOMETER 80 M.P.H.                       | -   | 1     | 1     |
| 1   | SSM2001/03    | SPEEDOMETER 140 K.P.H.                      | -   | A     | A     |
| 16  | RSM2002/00    | TACHOMETER HEAD                             | -   | 1     | 1     |
| 2   | 31-647-187-01 | Fixing strap                                | -   | 2     | 2     |
| 3   | 30-283-014-11 | Serrated washer                             | -   | 4     | 4     |
| 4   | 30-271-014-11 | Nut   | -   | 4     | 4     |
| 5   | 31-753-720    | Rubber ring                                 | -   | 2     | 2     |
| 18  | H1605         | Instrument cover                            | -   | 2     | 2     |
| 7   | 282           | Bulb 0.6W BA7S                              | -   | 2     | 2     |
| 8   | 54935300      | Bulbholder                                  | -   | 2     | 2     |
| 9   | D490          | Speedometer cable                           | -   | 1     | 1     |
| 17  | D529          | Tachometer cable                            | -   | 1     | 1     |
| TACHOMETER DRIVE AT CRANKCASE                 |               |   |     |       |       |
| 19  | D493          | Tachometer cable spade                      | -   | 1     | 1     |
| 20  | D494          | Retaining washer                            | -   | 1     | 1     |
| 21  | E4692         | Adaptor for crankcase                       | -   | 1     | 1     |
| 22  | E5667         | UNION                                       | -   | 1     | 1     |
| 23  | E4803         | "O" Ring                                    | -   | 1     | 1     |
| 24  | E5669         | Nylon bush                                  | -   | 1     | 1     |
| 25  | E4691         | Spacer                                      | -   | 1     | 1     |
| 26  | E4690         | Plug  | -   | 1     | 1     |
| 27  | F5332         | Grommet                                     | -   | 1     | 1     |

† N.B. Speedometer equipment not used on TS20 model

