

# TRIUMPH TIGER CUB

## REPLACEMENT PARTS

CATALOGUE No. 6

*for*

Models T20, T20C and T20S

(For T20S see Page 56)

---

From Engine No. 45312

---

TRIUMPH ENGINEERING CO. LTD.  
Meriden Works, Allesley  
COVENTRY.

## PREFACE

**B**EFORE ordering parts for your machine, please read very carefully the instructions contained in the next paragraph. In many cases the information given in the order is insufficient to enable us to identify the customers' requirements with certainty. Delay is frequently occasioned by our having to refer the order back for further particulars before we can supply.

**HOW TO ORDER.** Every part is indicated by a number and this should be quoted together with the description. In order to assist customers, parts where possible have been listed in order of assembly and exploded illustrations show the assembly order also. By each illustration, is an index quoting the part numbers of the various items and a cross reference to enable the customer to recognise the part by description (See page 69 for further details). With these aids there should be no difficulty in identifying the parts you require. Always quote the engine number and prefix letter stamped on the front engine fixing lug. Always use a separate sheet of writing paper for your order if you are sending a letter as well.

### SPECIMEN ORDER

2/6/59

To Triumph Engineering Co. Ltd.,  
Spares Department,  
Meriden Works,  
Allesley,  
Coventry.

Engine No. T.20-46282

Please supply :—

1 — GST20/56 — Gasket Set  
1 — E3146 — Valve, Inlet

\* Send C.O.D.

Wm. Smith,  
1a, Ewell Avenue,  
Ewell, Surrey.

\* For terms of business see page 3

**TELEGRAPHIC ORDERS.** Orders by telegram should be addressed to "Trusty 60221 Coventry." They are then telephoned to us, which prevents delay in delivery. It is only necessary to quote part numbers in telegraphic orders, the description can be omitted.

**PATTERNS AND PARTS FOR REPAIR.** It is not necessary to send patterns if the part number is quoted. The sending of patterns often delays the order as parcel post or rail takes longer than letter post.

Parts sent to Coventry for repair, replacement or as patterns, should bear the sender's name and address and clear instructions should accompany the parts. All parts must be forwarded carriage paid and care should be taken to ensure that all remittances are sent separately and not enclosed with the parts. Fragile units such as cylinders, etc., should always be boxed to avoid damage in transit. Complete machines should have all fittings such as horns, driving mirrors, tools, etc., removed by the sender before despatch, as it is impossible for us to accept responsibility in the event of loss in transit. We are always pleased to give estimates for overhauls and repairs, but should an estimate not be accepted, a charge will be made covering cost of dismantling and re-assembling, if carried out.

Communications relating to parts should be addressed to the SPARES MANAGER and for repairs, guarantee claims and technical advice to the SERVICE MANAGER.

In order to facilitate quick reference, the quoting of any order number, invoice number or reference from previous communications is of essential importance. **Accessories not of our manufacture should be sent direct to the actual makers, whose names and addresses appear on page 49.**

**WHERE TO OBTAIN.** Triumph Replacement Parts may be obtained from any Triumph Dealer, and we recommend our customers to place their orders with the Triumph Dealer in their district, as we do not normally supply direct. When parts not usually asked for are required, and for which the Dealer may have to wire or obtain specially, the postage or carriage incurred becomes payable.

We are not able to supply Transfers as originally affixed to Triumph Motor Cycles, but we are at all times willing to supply a Transfer denoting that the machine is of genuine Triumph manufacture, providing the Frame and Engine prefix letters and numbers are quoted.

Customers are warned against the risk incurred by purchasing parts which are not of genuine Triumph manufacture. The risk is eliminated if parts are ordered as instructed, either from our recognised Dealers, or direct from the Spares Department, Meriden Works, Allesley, Coventry.

---

## TERMS OF BUSINESS

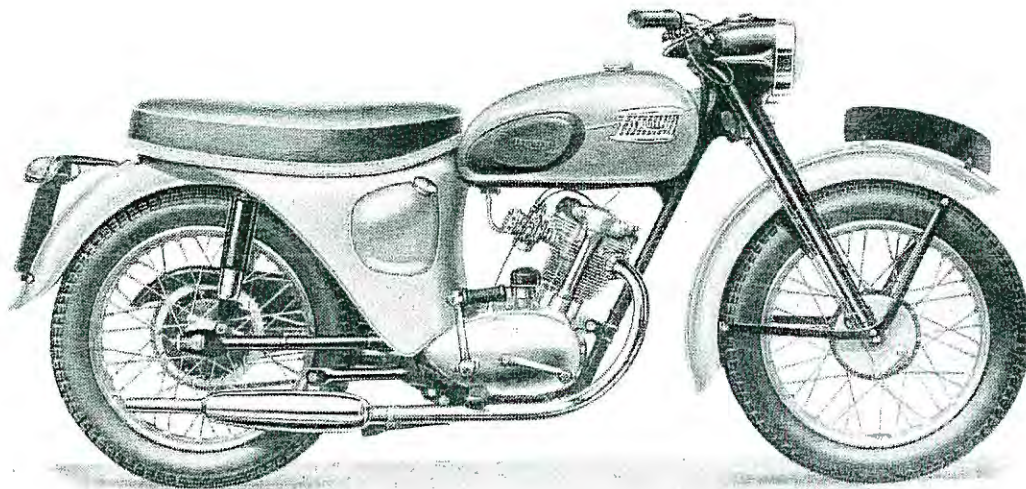
**T**HE most convenient method of paying for spare parts is by the C.O.D. system. By this method you pay the postman for the goods when he delivers them to you. As the minimum C.O.D. collection fee is 1/2 only goods to the value of 2/- or over can be sent by this system. We do not despatch goods by rail C.O.D.

Where goods are not sent C.O.D., cash must accompany the order. All remittances should be made payable to the Triumph Engineering Co., Ltd., and crossed "Barclay's Bank Ltd.", if in the form of Postal Order or Cheque. Letters containing currency notes must be registered.

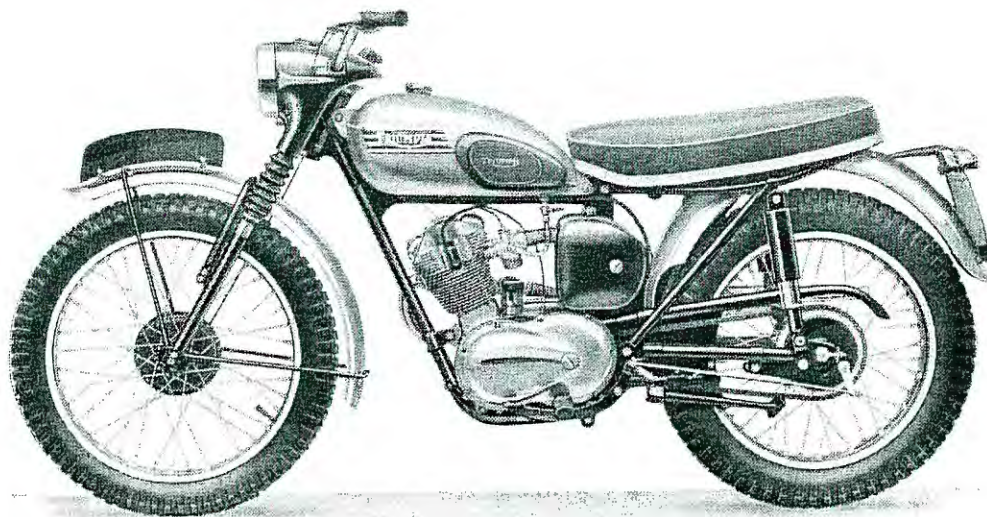
Should a remittance be forwarded by telegraphic money order, the name and address of the sender must be inserted in the space provided on the Post Office requisition form for a private message from remitter to payee. Unless this is complied with the Post Office omit such information from the telegram and we are not then in a position to trace the sender.

Postage, carriage and packing is charged at 5% on the value of the goods, minimum charge 1/-. Packing boxes, cases, crates, etc., are charged for at cost and are returnable.

# TRIUMPH TIGER CUB



MODEL T20



MODEL T20C

## CARTON PACK — GROUP I

### CARTON PACK — GROUP I

The following sub-assemblies are supplied in carton packs under the C.P. part number stated. The contents of these carton packs are preserved and will not deteriorate under adverse conditions.

<i>Part No.</i>	<i>Description and Contents</i>							
<b>Big End Assembly</b>								
CP.155	...	1	...	...	E3624	...	...	Connecting rod c/w bushes
		1	...	...	E3600	...	...	Crankpin c/w plug
<b>Brake linings</b>								
CP.128	...	2	...	...	W978	...	...	Linings
		14	...	...	W979	..	...	Rivets
<b>Piston Assembly</b>								
CP.141	...	1	...	...	E3358	...	...	Piston body
		1	...	...	E3380	...	...	Ring, chrome compression
		1	...	...	E656	...	...	Ring, compression
		1	...	...	E3387	...	...	Ring, scraper
		1	...	...	E1750	...	...	Pin, gudgeon
		2	...	...	E1767	...	...	Circlip, gudgeon pin
<b>Piston Rings</b>								
CP.150	...	1	...	...	E3380	...	...	Ring, chrome compression
		1	...	...	E656	...	...	Ring, compression
		1	...	...	E3387	...	...	Ring, scraper
<b>Steering Races</b>								
CP.129	...	2	...	...	H835	...	...	Cup, steering race
		2	...	...	H833	...	...	Cone, steering race
		30	...	...	S70-3	...	...	Ball, steering race
<b>Valves</b>								
CP.124	...	1	...	...	E3146	...	...	Valve, inlet
		1	...	...	E3147	...	...	Valve, exhaust
<b>Valve Guides</b>								
CP.122	...	2	...	...	E3208	...	...	Valve guide, inlet and exhaust
		2	...	...	E3209	...	...	Circlip
<b>Valve Springs</b>								
CP.123	...	2	...	...	E3214	...	...	Spring, valve inner
		2	...	...	E3215	...	...	Spring, valve outer

For indexes see Pages 66 to 68

**GROUP 2 — ENGINE**

**REPLACEMENT PARTS**

REF. No. PART No. DESCRIPTION QUANTITY

**ENGINE — GROUP 2**

*Illustrated on Page 10—Fig. 1*

								T20	T20C
<b>CYLINDER BARREL</b>									
1	E3385	Barrel, cylinder	...	...	...	...	1	1	
2	E3386	Dowel, cylinder barrel to head	...	...	...	...	2	2	
3	E4037	Washer, cylinder base	...	...	...	...	1	1	
<b>PISTON</b>									
4	CPI41	Piston c/w rings, gudgeon pin, etc.	...	...	...	...	1	1	
5	E656	Ring, compression (top)	...	...	...	...	1	1	
6	E3048	Ring, compression (taper)	...	...	...	...	1	1	
7	E3387	Ring, oil control	...	...	...	...	1	1	
8	E1750	Pin, gudgeon	...	...	...	...	1	1	
9	E1767	Circlip, gudgeon pin	...	...	...	...	2	2	
<b>CYLINDER HEAD</b>									
10	E4078	Head, cylinder c/w guides and adaptor	...	...	...	...	1	1	
11	E3217	Gasket, cylinder head	...	...	...	...	1	1	
12	E3207	Adaptor, cylinder head exhaust	...	...	...	...	1	1	
13	E3210	Stud, rocker inspection cover	...	...	...	...	2	2	
14	E3171	Stud, cylinder head to carburetter	...	...	...	...	2	2	
15	E3230	Nut, cylinder head to barrel	...	...	...	...	4	4	
16	E3446	Washer, cylinder head to barrel	...	...	...	...	4	4	
<b>OVERHEAD ROCKERS, COVERS</b>									
17	E3251	Rocker, inlet assembly	...	...	...	...	1	1	
18	E3252	Rocker, exhaust assembly	...	...	...	...	1	1	
19	E3222	Ball pin, rocker	...	...	...	...	2	2	
20	E3223	Adjuster, rocker	...	...	...	...	2	2	
21	GS662	Locknut, rocker adjuster pin	...	...	...	...	2	2	
22	E3225	Spindle, rocker inlet and exhaust	...	...	...	...	2	2	
23	E3253	Sealing ring, rocker spindle	...	...	...	...	2	2	
24	E2534	Thrust washer, rocker spindle L.H.— $\frac{7}{16}$ "	...	...	...	...	4	4	
25	E2594	Thrust washer, rocker spindle R.H.— $\frac{3}{8}$ "	...	...	...	...	2	2	
26	E3224	Thackeray washer, washer, rocker spindle (spring)	...	...	...	...	2	2	
27	E3227	Cover, rocker inlet inspection	...	...	...	...	1	1	
28	E3228	Cover, rocker exhaust inspection	...	...	...	...	1	1	
29	E3226	Washer, rocker cover joint	...	...	...	...	2	2	
30	E3290	Nut, rocker cover to head	...	...	...	...	2	2	
31	E2441	Washer, rocker cover to head nut	...	...	...	...	2	2	

## ENGINE — GROUP 2

REF. No.	PART No.	DESCRIPTION	QUANTITY	
<b>VALVES, GUIDES &amp; SPRINGS</b>			<b>T20 T20C</b>	
1	E3146	Valve, inlet ... ..	1	1
2	E3147	Valve, exhaust ... ..	1	1
3	E3208	Guide, inlet and exhaust ... ..	2	2
4	E3209	Circlip, inlet and exhaust guide ... ..	2	2
5	E3214	Spring, valve inner ... ..	2	2
6	E3215	Spring, valve outer ... ..	2	2
7	E3301	Collar, valve spring top ... ..	2	2
8	E3213	Cup, valve spring bottom ... ..	2	2
9	WE259A	Cotter, valve split ... ..	4	4
<b>PUSH RODS AND COVER</b>				
10	E3372	Rod, push ... ..	2	2
11	E3537	Cover, push rod ... ..	2	1
12	E3172	Peg, cover to crankcase locating ... ..	1	1
13	E3540	Washer, push rod cover joint (upper) ... ..	1	1
14	E3391	Washer, push rod cover joint (lower) ... ..	1	1
<b>TAPPETS</b>				
15	E3285	Tappet ... ..	2	2
<b>ROCKER OIL PIPE</b>				
16	E3244	Pipe, rocker oil ... ..	1	1
17	H400	Nut, rocker oil pipe to spindle ... ..	2	2
18	E1335	Washer, rocker oil pipe inner joint ... ..	2	2
19	E3249	Washer, rocker oil pipe outer joint ... ..	2	2
20	E3383	Connection, oil tank to oil pipe (Rubber) ... ..	1	1
<b>FLYWHEELS AND CONNECTING ROD</b>				
21	E3909	Flywheels and connecting rod assembly ... ..	1	1
22	E3910	Flywheels c/w mainshaft L.H. ... ..	1	1
23	E3598	Flywheels c/w plugs R.H. ... ..	1	1
24	E3420	Plug, R.H. Flywheel ... ..	2	2
25	E3624	Rod, connecting with bushes ... ..	1	1
26	E3623	Bush, big end ... ..	1	1
27	E1762	Bush, small end ... ..	1	1
28	E3600	Crankpin c/w plugs ... ..	1	1
29	E3292	Plug, crankpin ... ..	2	2

## GROUP 2 — ENGINE

REF. No.	PART No.	DESCRIPTION	QUANTITY	
			T20	T20C
<b>CRANKCASE</b>				
1	E3930	Crankcase assembly c/w bushes	1	1
2	E3365	Stud, crankcase to cylinder head	4	4
3	E3171	Stud, crankcase to oil pipe junction block	1	1
4	T989	Dowel, crankcase to R.H. inner cover	2	2
5	E3169	Dowel, crankcase to oil junction block	1	1
6	E3560	Pipe, crankcase oil return	1	1
7	T1076	Screw, crankcase oil return pipe	1	1
8	E2615	Plug, crankcase oil gauge test hole	1	1
9	E1335	Washer, crankcase plug	1	1
<b>CRANKCASE BEARINGS (ENGINE)</b>				
10	E3655	Bearing, R.H. (Plain)	1	1
11	E3172	Peg, R.H. bearing	1	1
12	E3175	Bush, camshaft	1	1
13	E3518	Bush, distributor and oil pump shaft	1	1
14	E3152	Bearing, L.H. (Ball journal)	1	1
15	E3379	Oil Seal, L.H. Bearing	1	1
<b>TIMING GEARS AND CAMSHAFT</b>				
16	E4079	Pinion, timing and distributor drive	1	1
17	E3421	Bolt, timing and distributor pinion $1\frac{29}{32}$ in U.H.	1	1
18	E3185	Pinion, camshaft (50T)	1	1
19	E3184	Key, camshaft pinion	1	1
20	E3183	Camshaft, inlet and exhaust	1	1
21	E3186	Pinion and shaft, distributor and oil pump drive	1	1
<b>OIL PUMP</b>				
22	E3393	Oil pump assembly	1	1
23	E3409	Body, oil pump	1	1
24	E3410	Plunger, oil feed	1	1
25	E3194	Plunger, oil scavenge	1	1
26	E3195	Rod, connecting drive	1	1
27	E3412	Pin, connecting drive rod	1	1
28	E3413	Circlip, connecting drive rod	1	1
29	S70-4	Ball, oil pump body	2	2
30	E3191	Spring, oil pump body and auxiliary valves	4	4
31	T1124	Ball, auxiliary valve	2	2



## ENGINE — GROUP 2

REF. No.	PART No.	DESCRIPTION	QUANTITY	
			T20	T20C
1	E3192	Plug, oil pump body ... ..	2	2
2	E3197	Bolt, oil pump to crankcase $\frac{15}{16}$ in. U.H. ... ..	2	2
3	GS299	Lockwasher, oil pump to crankcase (serrated) ... ..	2	2
4	E3188	Washer, oil pump to crankcase joint ... ..	1	1
<b>CRANKCASE FILTER</b>				
5	E3177	Filter, crankcase ... ..	1	1
6	E3176	Spring, crankcase filter ... ..	1	1
7	E3302	Washer, crankcase filter spring ... ..	1	1
8	E1564	Cap, crankcase filter ... ..	1	1
9	E1577	Washer, crankcase filter joint ... ..	1	1
<b>INNER COVER, LEFT SIDE</b>				
10	E3915	Cover, crankcase inner c/w dowels ... ..	1	1
11	E1492	Dowel, inner cover to crankcase front ... ..	1	1
12	T989	Dowel, inner cover to outer cover rear ... ..	1	1
13	E3932	Sealing washer, gearbox shaft (rubber) ... ..	1	1
14	E3933	Backing washer, sealing washer ... ..	1	1
15	E3204	Screw, inner cover to crankcase 1 in. U.H. ... ..	1	1
16	E3445	Screw, inner cover to crankcase $\frac{11}{16}$ in. U.H. ... ..	2	2
17	DS57	Plug, oil level and drain ... ..	2	2
18	WE170	Washer, oil level and drain plugs ... ..	2	2
<b>ENGINE SPROCKET</b>				
19	E3912	Engine sprocket, 19 teeth Duplex ... ..	1	1
20	E3913	Distance piece sprocket and rotor ... ..	1	1
<b>OUTER COVER, LEFT SIDE</b>				
21	E3917	Cover, L.H. outer ... ..	1	1
22	E3579	Washer, cover joint ... ..	1	1
23	E3914	Screw, outer cover, $1\frac{1}{4}$ in. U.H. ... ..	4	4
24	E3205	Screw, outer cover, $1\frac{1}{2}$ in. U.H. ... ..	2	2
25	E3200	Screw, outer cover, $\frac{11}{16}$ in. U.H. ... ..	2	2
26	E3204	Screw, outer cover, 1 in. U.H. ... ..	1	1
27	E2386	Domed nut, middle screws ... ..	2	2
28	E2441	Washer, copper ... ..	2	2
29	E732	Plug, oil filler ... ..	1	1
30	NE507	Washer, oil filler plug ... ..	1	1

# GROUP 2 — ENGINE

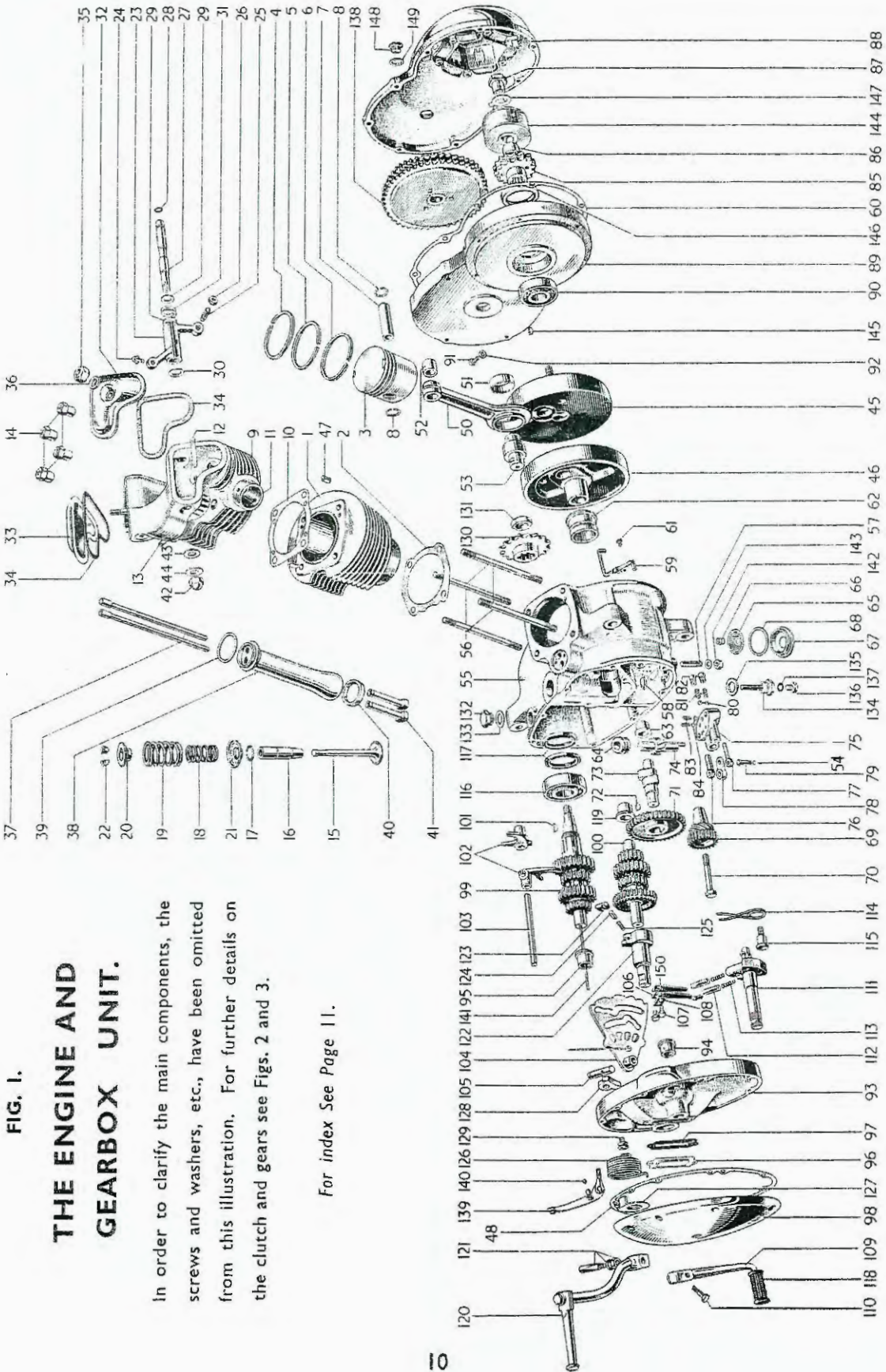


FIG. 1.

## THE ENGINE AND GEARBOX UNIT.

In order to clarify the main components, the screws and washers, etc., have been omitted from this illustration. For further details on the clutch and gears see Figs. 2 and 3.

For index See Page 11.

# ENGINE — GROUP 2

## INDEX TO FIG. 1 — PAGE 10

Illust. No.	Part No.	Page No.	Ref. No.	Illust. No.	Part No.	Page No.	Ref. No.	Illust. No.	Part No.	Page No.	Ref. No.
1	E3385	6	1	51	E3623	7	26	101	T1119	15	29
2	E4037	6	3	52	E1762	7	27	102	T1098	13	11
3	CPI41	6	4	53	E3600	7	28	103	T1102	12	12
4	E656	6	5	54	E2413	8	28	104	T1066	13	13
5	E3048	6	6	55	E3930	8	1	105	T1069	13	14
6	E3387	6	7	56	E3365	8	2	106	T1248	13	16
7	E1750	6	8	57	E3171	8	3	107	T1076	13	18
8	E1767	6	9	58	T989	8	4	108	T1180	13	19
9	E4078	6	10	59	E3560	8	6	109	T1164	13	20
10	E3217	6	11	60	E3579	9	22	110	F1369	13	21
11	E3207	6	12	61	T1076	8	7	111	T1259	13	22
12	E3210	6	13	62	E3655	8	10	112	T1184	13	24
13	E3171	6	14	63	E3175	8	12	113	T1278	13	25
14	E3230	6	15	64	E3518	8	13	114	T1109	13	27
15	E3146 (in)	7	1	65	E3177	9	5	115	T1077	13	28
16	E3147 (ex)	3	2	66	E3176	9	6	116	T1070	14	1
17	E3208	3	3	67	E1564	9	8	117	H1168	14	2
18	E3209	7	4	68	E1577	9	9	118	T449	13	30
19	E3214	7	5	69	E4079	8	16	119	T1073	14	4
20	E3215	7	6	70	E3421	8	17	12p	T1230	15	1
21	E3301	7	7	71	E3185	8	18	121	S52-2	15	1
22	E3213	7	8	72	E3184	8	19	122	T1279	15	9
23	VYE259A	7	9	73	E3183	8	20	123	T1281	15	11
24	E3251 (in)	6	17	74	E3186	8	21	124	T1282	15	12
25	E3252 (ex)	5	18	75	E3409	8	23	125	T1161	15	13
26	E3222	6	19	76	E3194	8	25	126	T1162	15	15
27	E3223	6	20	77	E3410	8	26	127	T1163	15	16
28	GS.662	6	21	78	E3195	8	27	128	T1157	15	17
29	E3225	6	22	79	E3412	8	27	129	T1158	15	18
30	E3253	6	23	80	S70-4	8	29	130	T1513	15	19
31	E2594	6	24	81	E3191	8	30	131	T1082	15	21
32	E3224	6	25	82	E3192	9	1	132	T1110	15	22
33	E3228	6	26	83	E3191	8	30	133	E697	15	23
34	E3227	6	27	84	T1124	8	31	134	T1112	15	24
35	E3226	6	28	85	E3912	9	19	135	T1257	15	25
36	E3290	6	29	86	E3913	9	20	136	T361	15	26
37	E2441	6	30	87	E3971	50	9	137	WE170	15	27
38	E3372	7	10	88	E3917	9	21	138	T1493	15	28
39	E3540	7	11	89	E3915	9	10	139	T1233	16	20
40	E3391	7	13	90	E3152	8	14	140	T1124	16	24
41	E3285	7	14	91	DS-57	9	17	141	T1140	16	27
42	H400	7	15	92	WE170	9	18	142	F879	43	10
43	E3335	7	17	93	E3476	12	1	143	S25-13	43	9
44	E3249	7	18	94	E3293	12	2	144	466124	50	2
45	E3910	7	19	95	T1147	12	4	145	E1580	50	8
46	E3598	7	22	96	T1149	12	5	146	E3379	8	15
47	E3386	6	23	97	T1148	12	6	147	E4058	50	10
48	E3345	12	2	98	E3151	12	13	148	E752	9	29
50	E3624	7	25	99	See Fig. 2, Page 14			149	NE507	9	30
				100				150	T1249	13	17

## GROUP 2 — ENGINE

REF. No. PART No. DESCRIPTION QUANTITY

T20 T20C

### INNER COVER, RIGHT SIDE

1	E3476	Cover, inner c/w bushes and clutch lever	...	...	...	...	1	1
2	E3293	Bush, camshaft	...	...	...	...	1	1
3	E3172	Peg, camshaft bush	...	...	...	...	1	1
4	T1147	Bush, gearbox mainshaft	...	...	...	...	1	1
5	T1149	Plate, inner cover	...	...	...	...	1	1
6	T1148	Washer, inner cover plate (Cork)	...	...	...	...	1	1
7	T1150	Screw, inner cover plate 0.41 in. U.H.	...	...	...	...	2	2
8	E3204	Screw, inner cover to crankcase 1 in. U.H.	...	...	...	...	2	2
9	E3220	Screw, inner cover to crankcase $\frac{13}{16}$ in. U.H.	...	...	...	...	1	1
10	E3221	Screw, inner cover to crankcase $1\frac{7}{8}$ in. U.H.	...	...	...	...	1	1
11	F3775	Vent pipe, inner cover breather (PVC)	...	...	...	...	1	1
12	XA69	Clip, vent pipe to clutch cable	...	...	...	...	1	1

### OUTER COVER, RIGHT SIDE

13	E3151	Cover, outer R.H.	...	...	...	...	1	1
14	E3345	Washer, cover joint	...	...	...	...	1	1
15	E3221	Screw, outer R.H. cover $1\frac{7}{8}$ in. U.H.	...	...	...	...	1	1
16	E3231	Screw, outer R.H. cover $1\frac{3}{8}$ in. U.H.	...	...	...	...	7	7
17	E3220	Screw, outer R.H. cover $\frac{13}{16}$ in. U.H.	...	...	...	...	1	1

### GASKET SET

18	GST20/56	Gasket set	...	...	...	...	1	1
----	----------	------------	-----	-----	-----	-----	---	---

## GEARBOX — GROUP 3

REF. No.	PART No.	DESCRIPTION	QUANTITY
----------	----------	-------------	----------

### GEARBOX AND CLUTCH — GROUP 3

*Illustrated on Pages 14 and 17—Figs. 2 and 3*

SHAFTS AND GEARS			T20	T20C
1	T1588*	Gear cluster, mainshaft (3rd and low) ... ..	1	1
2	T1085	Bush, mainshaft clutch rod ... ..	1	1
3	T1514	Gear, mainshaft high c/w bush ... ..	1	1
4	T1515	Bush, high gear ... ..	1	1
5	T1089	Gear, mainshaft 2nd ... ..	1	1
6	T1090	Thrust ring, mainshaft 2nd gear ... ..	1	1
7	T1591*	Gear, cluster, layshaft (top and 2nd) ... ..	1	1
8	T1094	Gear, layshaft 3rd ... ..	1	1
9	T1095	Gear, layshaft low c/w bush ... ..	1	1
10	T1097	Bush, layshaft low gear ... ..	1	1
* The gear clusters are sold only as an assembly and the parts cannot be obtained separately.				
<b>SELECTOR FORKS AND SPINDLE</b>				
11	T1098	Fork, mainshaft and layshaft selector ... ..	2	2
12	T1102	Spindle, selector fork ... ..	1	1
<b>CAMPLATE</b>				
13	T1066	Camplate assembly ... ..	1	1
14	T1069	Spindle, camplate ... ..	1	1
15	$\frac{3}{32} \times 1"$	Split pin, camplate to spindle ... ..	1	1
16	T1248	Spring, camplate index ... ..	1	1
17	T1249	Spring, camplate index (supplementary) ... ..	1	1
18	T1076	Screw, camplate index spring ... ..	2	2
19	T1180	Lockwasher, camplate index spring ... ..	1	1
<b>GEARCHANGE MECHANISM</b>				
20	T1164	Pedal, gear change ... ..	1	1
21	F1369	Bolt, gear change pedal $\frac{5}{8}$ in. U.H. ... ..	1	1
22	T1259	Spindle, quadrant and plunger assembly ... ..	1	1
23	T1181	Feltwasher, gear change spindle ... ..	1	1
24	T1184	Plunger, gear change selector ... ..	2	2
25	T1278	Spring, gear change selector plunger ... ..	2	2
26	$\frac{5}{16} \times \frac{3}{4}$	Split pin, gear change selector plunger ... ..	2	2
27	T1109	Spring, gear change return ... ..	1	1
28	T1077	Pin, gear change return spring anchorage ... ..	1	1
29	E2287	Washer, gear change return spring anchorage ... ..	1	1
30	T449	Rubber, gear change pedal ... ..	1	1

## GROUP 3 — GEARBOX

REF. No.	PART No.	DESCRIPTION	QUANTITY	
<b>GEARBOX CASING BEARINGS</b>				
			T20	T20C
1	T1070	Bearing, L.H. gearbox mainshaft (ball)	1	1
2	T1168	Oil seal, L.H. bearing	2	2
3	T1072	Plate, L.H. bearing seal retaining	1	1
4	T1073	Bearing, L.H. gearbox layshaft (plain)	1	1
5	E3172	Peg, layshaft bearing locating	1	1
6	T1269	Disc, L.H. gearbox layshaft bearing	1	1

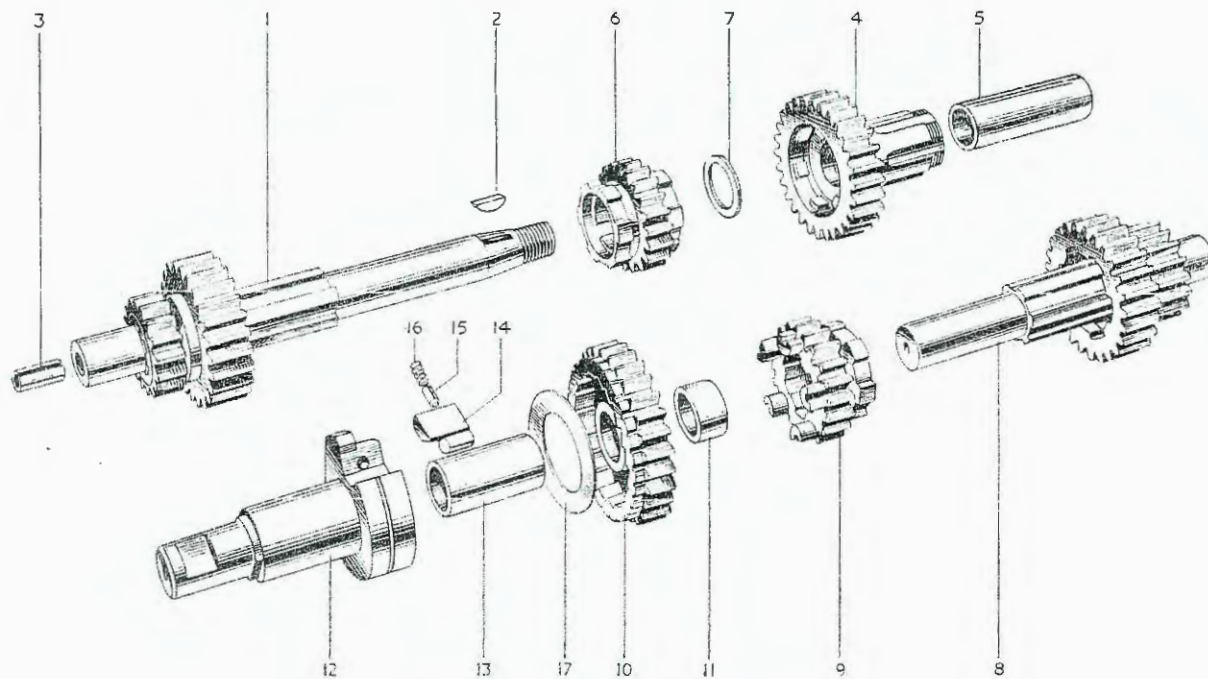


FIG. 2. MAINSHAFT AND LAYSHAFT GEARS.

### INDEX

Illust. No.	Part No.	Page No.	Ref. No.	Illust. No.	Part No.	Page No.	Ref. No.
1	T1588	13	1	10	T1095	13	9
2	T1119	15	29	11	T1097	13	10
3	T1085	13	2	12	T1279	15	9
4	T1514	13	3	13	T1118	15	10
5	T1515	13	4	14	T1281	15	11
6	T1089	13	5	15	T1282	15	12
7	T1090	13	6	16	T1161	15	13
8	T1591	13	7	17	T1274	15	14
9	T1094	13	8				

## GEARBOX – GROUP 3

REF. No.	PART No.	DESCRIPTION	QUANTITY	
			T20	T20C
<b>KICKSTARTER</b>				
1	T1230	Kickstarter assembly, folding ... ..	1	1
2	T1166	Crank, kickstarter ... ..	1	1
3	T1168	Pedal, kickstarter crank ... ..	1	1
4	F1814	Rubber, kickstarter pedal ... ..	1	1
5	T1169	Bolt, kickstarter crank to pedal ... ..	1	1
6	S70-3	Ball, kickstarter crank to pedal ... ..	1	1
7	T1167	Spring, kickstarter crank to pedal ... ..	1	1
8	S52-2	Cotter, kickstarter crank c/w nut and washer ... ..	1	1
9	T1279	Spindle, kickstarter c/w bush ... ..	1	1
10	T1118	Bush, kickstarter spindle ... ..	1	1
11	T1281	Pawl, kickstarter... ..	1	1
12	T1282	Plunger, kickstarter pawl ... ..	1	1
13	T1161	Spring, kickstarter plunger ... ..	1	1
14	T1274	Disc, pawl retaining ... ..	1	1
15	T1162	Spring, kickstarter return ... ..	1	1
16	T1163	Plate, kickstarter return spring anchor ... ..	1	1
17	T1157	Plate, kickstarter stop ... ..	1	1
18	T1158	Screw, kickstarter stop plate ... ..	1	1
<b>GEARBOX SPROCKET</b>				
19	T1513/18	Sprocket, gearbox 18 teeth ... ..	1	-
20	T1513/16	Sprocket, gearbox 16 teeth ... ..	-	1
21	T1082	Nut, gearbox sprocket ... ..	1	1
<b>FILLER, LEVEL AND DRAIN PLUGS</b>				
22	T1110	Plug, gearbox filler ... ..	1	1
23	E697	Washer, gearbox filler plug ... ..	1	1
24	T1112	Plug, gearbox drain ... ..	1	1
25	T1257	Washer, gearbox drain plug ... ..	1	1
26	T361	Plug, gearbox level ... ..	1	1
27	WE170	Washer, gearbox level plug ... ..	1	1
<b>CLUTCH</b>				
28	T1493	Clutch, complete ( $\frac{3}{8}$ in. pitch Duplex Chain) ... ..	1	1
29	T1119	Key, clutch to mainshaft ... ..	1	1
30	T1347	Tabwasher, clutch nut ... ..	1	1
31	T1348	Nut, clutch to mainshaft ... ..	1	1

## GROUP 3 — GEARBOX

REF. No.	PART No	DESCRIPTION	QUANTITY	
			T20	T20C
1	T1509	Housing and sprocket (48 teeth) ... ..	1	1
2	T1124	Ball, clutch sprocket bearing ... ..	16	16
3	T1264	Bearing ring, clutch sprocket ... ..	1	1
4	T1345	Shock absorber assembly comprising lines 6 to 12 ...	1	1
5	T1314	Clutch centre ... ..	1	1
6	T1128	Backplate ... ..	1	1
7	T1364	Cup, centre driving ... ..	3	3
8	T1350	Pin, driving cup ... ..	3	3
9	T1346	Spider ... ..	1	1
10	T1132	Rubber, drive ... ..	3	3
11	T1318	Rubber, rebound ... ..	3	3
12	T1315	Driven Plate ... ..	3	3
13	T1503	Driving plate complete with linings ... ..	3	3
14	T1253	Pressure plate ... ..	1	1
15	T1256	Adjuster, pressure plate ... ..	1	1
16	G5662	Nut, for adjuster ... ..	1	1
17	T1144	Cup pressure spring ... ..	3	3
18	T1145	Spring, clutch pressure ... ..	3	3
19	T1146	Nut, clutch pin ... ..	3	3

### CLUTCH CONTROL

20	T1233	Lever, clutch operating assembly ... ..	1	1
21	T1235	Lever, clutch operating ... ..	1	1
22	T1236	Pin, operating lever fulcrum ... ..	1	1
23	T1155	Cup, operating lever thrust ... ..	1	1
24	T1124	Ball, cup to rod ... ..	1	1
25	$\frac{1}{16}'' \times \frac{1}{8}''$	Split-pin, cup to lever ... ..	1	1
26	T1234	Fulcrum, clutch operating lever ... ..	1	1
27	T1140	Rod, clutch operating ... ..	1	1



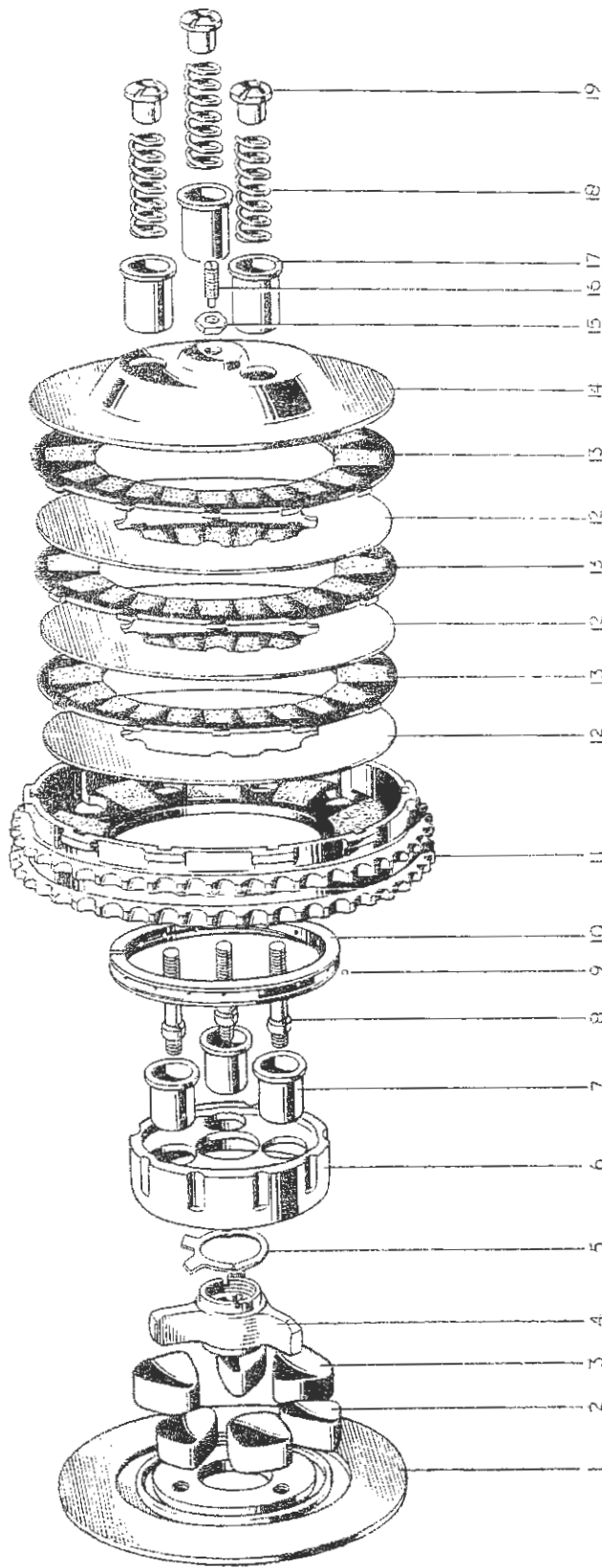


FIG. 3. CLUTCH AND SHOCK ABSORBER UNIT.

INDEX

Illust. No.	Part No.	Page No.	Ref. No.	Illust. No.	Part No.	Page No.	Ref. No.
1	T1128	16	6	11	T1509	16	1
2	T1132	16	10	12	T1315	16	12
3	T1318	16	11	13	T1503	16	13
4	T1346	16	9	14	T1253	16	14
5	T1347	15	30	15	GS662	16	16
6	T1314	16	5	16	T1256	16	15
7	T1364	16	7	17	T1144	16	17
8	T1350	16	8	18	T1145	16	18
9	T1124	16	7	19	T1146	16	19
10	T1264	16	3				

**GROUP 4 — EXHAUST SYSTEM**

**GROUP 5 — FRAME**

REF. No. PART No. DESCRIPTION QUANTITY

**EXHAUST SYSTEM — GROUP 4**

**EXHAUST PIPE**

T20 T20C

1	E3257	Pipe, exhaust	...	...	...	...	...	...	1	-
2	E3883	Pipe, exhaust	...	...	...	...	...	...	-	1
3	E3259	Clip, pipe to head	...	...	...	...	...	...	1	1
4	E3260	Bolt, pipe clip	...	...	...	...	...	...	1	1
5	S25-13	Washer, clip bolt	...	...	...	...	...	...	1	1

**SILENCER**

6	E3928	Silencer	...	...	...	...	...	...	1	-
7	E3840	Silencer	...	...	...	...	...	...	-	1
8	E3269	Clip, silencer to pipe	...	...	...	...	...	...	1	1
9	TE164E	Bolt, silencer clip	...	...	...	...	...	...	1	1
10	TE164D	'D' Washer, clip bolt	...	...	...	...	...	...	1	1
11	TE164C	'D' Nut, clip bolt	...	...	...	...	...	...	1	1
12	F929	Bolt, silencer to bracket...	...	...	...	...	...	...	A	1
13	S26-1	Washer, spring	...	...	...	...	...	...	1	1
14	PO172A	Nut, silencer bolt	...	...	...	...	...	...	1	1

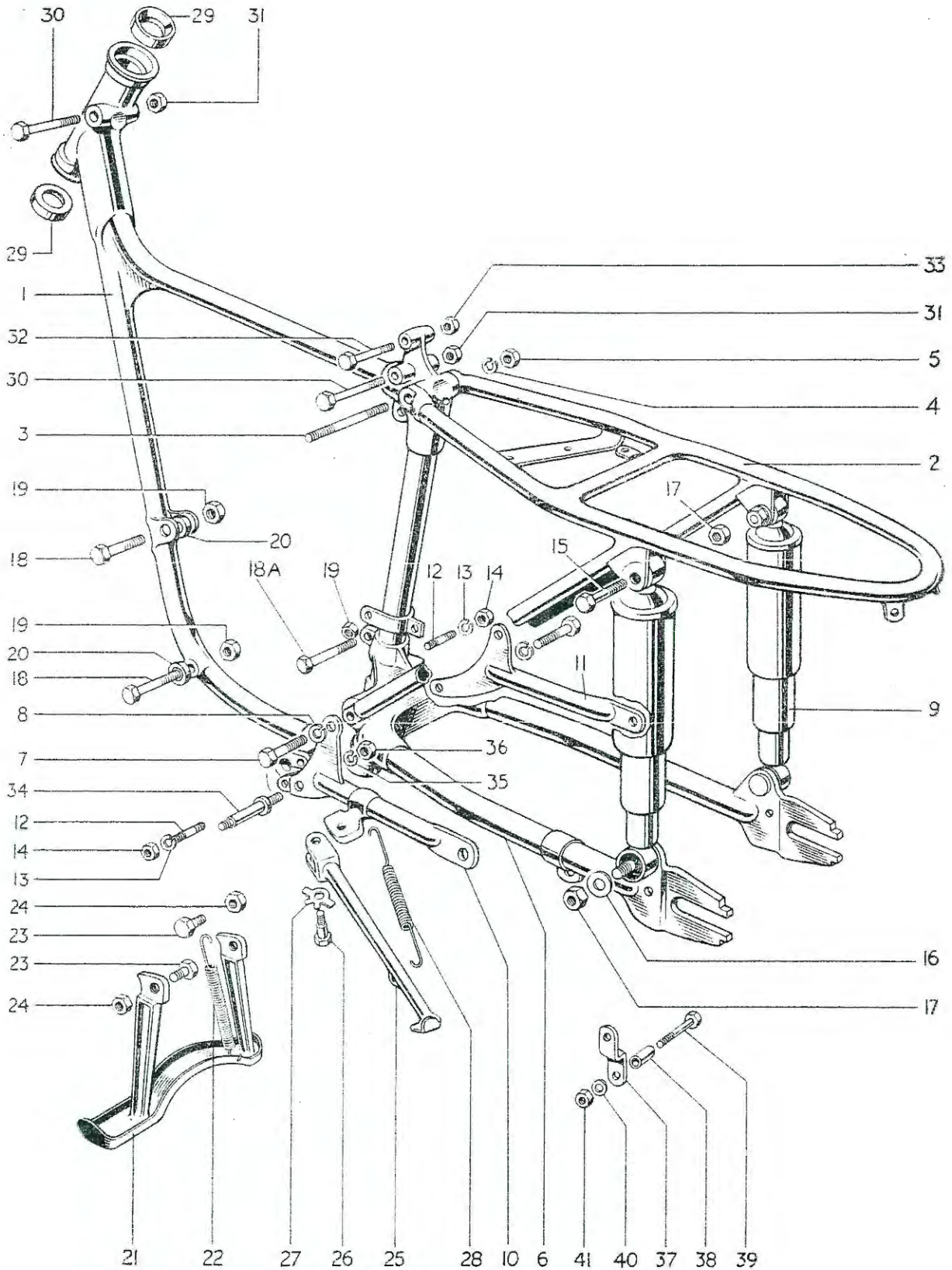
**FRAME — GROUP 5**

15	F4418	Frame, front	...	...	...	...	...	...	1	-
16	F4420	Frame, front	...	...	...	...	...	...	-	1
17	D402/3	Lock, steering head c/w keys	...	...	...	...	...	...	A	A
18	F4051	Frame, rear	...	...	...	...	...	...	1	-
19	F4253	Frame, rear	...	...	...	...	...	...	-	1
20	F3929	Collar, engine bolts	...	...	...	...	...	...	2	-
21	E3843	Collar, engine bolts	...	...	...	...	...	...	-	2
22	S25-2	Distance washer, rear bolt	...	...	...	...	...	...	-	1
23	F3953	Bolt, engine mountings 1 $\frac{7}{8}$ in. U.H.	...	...	...	...	...	...	2	2
24	F3954	Bolt, engine mounting 2 $\frac{1}{2}$ ins. U.H.	...	...	...	...	...	...	1	1
25	S25-2	Washer, rear and bottom nut	...	...	...	...	...	...	2	2
26	F3955	Nut, engine bolts	...	...	...	...	...	...	3	3
27	F4510	Stud, seat stays 4 $\frac{3}{8}$ ins. O.A.	...	...	...	...	...	...	1	1
28	S26-1	Washer, spring	...	...	...	...	...	...	2	2
29	PO172A	Nut, seal stays stud	...	...	...	...	...	...	2	2

**FRAME — GROUP 5**  
**STAND — GROUP 6**

REF. No.	PART No.	DESCRIPTION	QUANTITY	
			T20	T20C
<b>SWINGING FORK</b>				
1	F4068	Swinging fork c/w bushes	1	1
2	F4076	Bush, fork pivot	1	1
3	F4079	Spindle, fork pivot	1	1
4	F4079	Washer, spacing R.H.	1	1
5	F4385	Shim, 0.003 in.	as necessary	
6	F4386	Shim, 0.005 in.	as necessary	
7	KWI94	Grease nipple, pivot lug	1	1
8	WE170	Washer, fibre	1	1
<b>PILLION FOOTREST BRACKETS</b>				
9	F4080	Bracket, pillion footrest L.H.	1	—
10	F4278	Bracket, pillion footrest L.H.	—	1
11	F4081	Bracket, pillion footrest R.H.	1	1
12	F4509	Bolt, bracket to spindle $1\frac{1}{2}$ in. U.H.	2	2
13	PCW73A	Washer, spring	2	2
14	E1396	Stud, bracket to frame $1\frac{1}{16}$ in. O.A.	2	2
15	S26-3	Washer, spring	2	2
16	S1-51	Nut, bracket stud	2	2
<b>CRANKCASE SHIELD</b>				
17	F4258	Shield, crankcase	—	1
18	F4260	Clip, shield	—	1
19	DS57	Bolt, clip $\frac{7}{16}$ in. U.H.	—	2
20	E1612	Washer, shakeproof	—	2
21	F879	Nut, clip bolt	—	2
<b>STAND — GROUP 6</b>				
<b>CENTRE STAND</b>				
22	F3957	Stand, centre	1	—
23	F3960	Spring, stand return	1	—
24	F3520	Bolt, stand pivot	2	—
25	H193	Nut, pivot bolt	2	—
<b>PROP STAND</b>				
26	F3681	Prop stand, c/w fittings	1	—
27	F4277	Prop stand, c/w fittings	—	1
28	F3097	Pin, stand pivot	1	1
29	F3096	Tab washer	1	1
30	F2610	Spring, stand return	1	1

**GROUP 5 — FRAME**



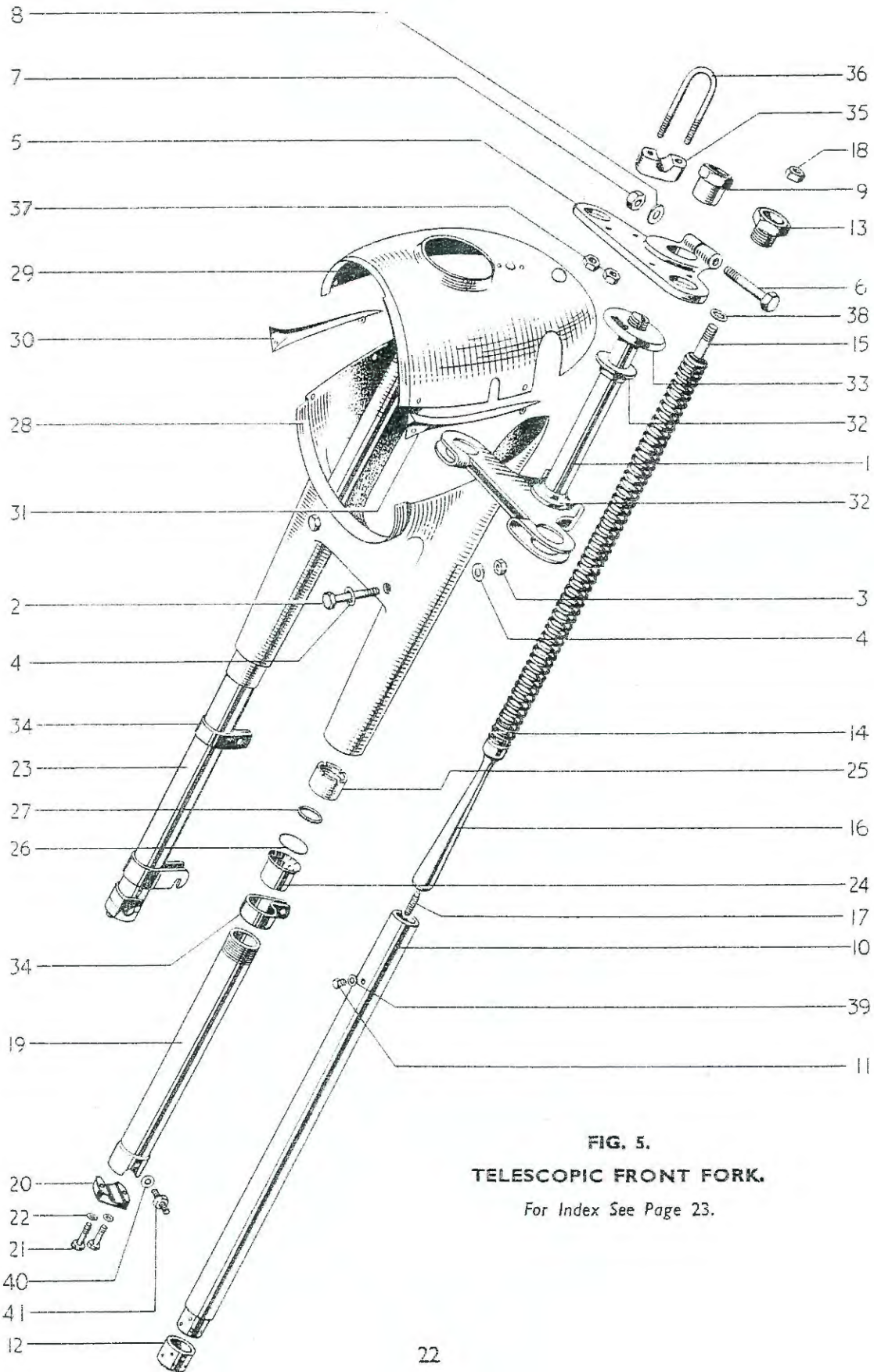
**FIG. 4. FRAME AND COMPONENTS.**

*For Index See Page 21.*

## INDEX TO FIG. 4

<i>Illust. No.</i>	<i>Part No.</i>	<i>Page No.</i>	<i>Ref. No.</i>
1	F4418	18	15
	F4420	18	16
2	F4051	18	18
	F4253	18	19
3	F4510	18	27
4	S26-1	18	28
5	P0172A	18	29
6	F4068	19	1
7	F4509	19	12
8	PCW73A	19	13
9	See Page 55	19	
10	F4080	19	9
	F4278	19	10
11	F4081	19	11
12	E1396	19	14
13	S26-3	19	15
14	S1-51	19	16
15	F1760	55	21
16	S25-2	55	22
17	P0172A	55	23
18	F3953	18	23
18A	F3954	18	24
19	F3955	18	26
20	F3929	18	20
	E3843	18	21
21	F3957	19	22
22	F3960	19	23
23	F3520	19	24
24	H193	19	25
25	F3681	19	26
	F4277	19	27
26	F3097	19	28
27	F3096	19	29
28	F2610	19	30
29	H835	27	28
30	F3498	41	17
31	S1-51	41	19
32	E3181	55	3
33	S1-51	55	6
34	F4090	44	2
35	S26-1	44	4
36	P0172A	44	3
37	F4311	55	24
38	F3207	55	26
39	H622	55	25
40	E1330C	55	27
41	S1-51	55	28

**GROUP 7 — TELESCOPIC FRONT FORK**



**FIG. 5.**  
**TELESCOPIC FRONT FORK.**

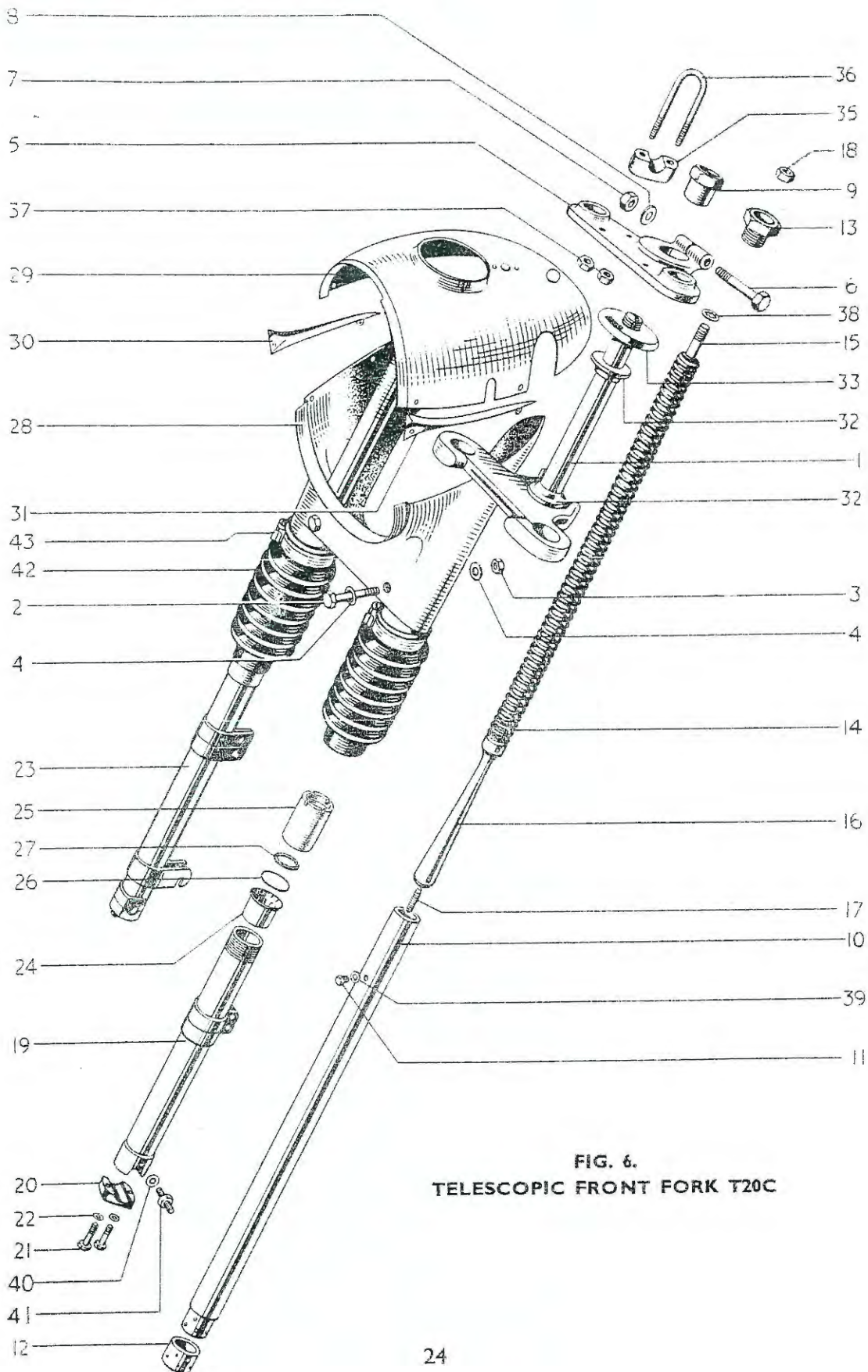
For Index See Page 23.

# TELESCOPIC FRONT FORK - GROUP 7

## INDEX TO FIG. 5. PAGE 22.

<i>Illust. No.</i>	<i>Part No.</i>	<i>Page No.</i>	<i>Ref. No.</i>
1	H1231	26	3
2	H834	26	5
3	H518	26	8
4	S25-3	26	6
5	H837	26	9
6	H570	26	11
7	S1-51	26	12
8	S25-3	26	13
9	H840	26	14
10	H1035	26	16
11	H519A	26	18
12	H845	26	20
13	H846	26	21
14	H1037	26	22
15	H850	26	24
16	H1047	26	28
17	H1048	26	29
18	S1-51	26	26
19	H1040	26	30
20	H856	27	5
21	W932	27	7
22	E1612	27	6
23	H1043	27	1
24	H1046	27	8
25	H1045	27	10
26	H862	27	9
27	H1044	27	12
28	H823	27	13
29	H822	27	17
30	H878	27	19
31	H877	27	18
32	H833	27	29
33	H836	27	31
34	H873	33	13
35	H864	44	17
36	H865	44	18
37	F879	44	19
38	E2287	26	27
39	H430	26	19
40	WE170	27	4
41	H1042	27	3

**GROUP 7 — TELESCOPIC FRONT FORK**



**FIG. 6.**  
**TELESCOPIC FRONT FORK T20C**



# TELESCOPIC FRONT FORK — GROUP 7

## INDEX FIG. 6

<i>Illust. No.</i>	<i>Part No.</i>	<i>Page No.</i>	<i>Ref. No.</i>
1	H1233	26	4
2	H834	26	5
3	H518	26	7
4	S25-3	26	6
5	H1133	26	10
6	H570	26	11
7	S1-51	26	12
8	S25-3	26	13
9	H1137	26	15
10	H1190	26	17
11	H519A	26	18
12	H845	26	20
13	H846	26	21
14	H1191	26	23
15	H1153	26	25
16	H1047	26	28
17	H1048	26	29
18	S1-51	26	26
19	H1149	26	31
20	H856	27	5
21	W932	27	7
22	E1612	27	6
23	H1150	27	2
24	H1046	27	8
25	H1151	27	11
26	H862	27	9
27	H1044	27	12
28	H824	27	14
29	H822	27	17
30	H878	27	19
31	H877	27	18
32	H833	27	29
33	H836	27	31
35	H864	44	17
36	H865	44	18
37	F879	44	19
38	E2287	26	27
39	H430	26	19
40	WE170	27	4
41	H1042	27	3
42	H1222	27	15
43	D404	27	16

## GROUP 7 – TELESCOPIC FRONT FORK

REF. No.	PART No.	DESCRIPTION	QUANTITY	
			T20	T20C
1	H1230	Fork assembly ... ..	1	-
2	H1232	Fork assembly ... ..	-	1
3	H1231	Middle lug and stem ... ..	1	-
4	H1233	Middle lug and stem ... ..	-	1
5	H834	Bolt, middle lug pinch ... ..	2	2
6	S25-3	Washer, bolt and nut ... ..	4	4
7	F3098	Clip, brake cable... ..	1	1
8	H518	Nut, pinch bolt ... ..	2	2
9	H837	Lug, fork top ... ..	1	-
10	H1133	Lug, fork top ... ..	-	1
11	H570	Bolt, top lug pinch ... ..	1	1
12	S1-51	Nut, pinch bolt ... ..	1	1
13	S25-3	Washer, pinch bolt ... ..	1	1
14	H840	Sleeve nut, fork stem ... ..	1	-
15	H1137	Sleeve nut, fork stem ... ..	-	1
16	H1035	Stanchion, c/w bush ... ..	2	-
17	H1190	Stanchion, c/w bush ... ..	-	2
18	H519A	Plug, oil filler $\frac{3}{16}$ in. U.H. ... ..	2	2
19	H430	Washer, fibre ... ..	2	2
20	H845	Bush, stanchion bottom ... ..	2	2
21	H846	Nut, stanchion to top lug ... ..	2	2
22	H1037	Spring, c/w restrictor rod and stud ... ..	2	-
23	H1191	Spring, c/w restrictor rod and stud ... ..	-	2
24	H850	Stud, top $1\frac{9}{16}$ in. O.A. ... ..	2	-
25	H1153	Stud, top $2\frac{9}{16}$ ins. O.A. ... ..	-	2
26	S1-51	Nut, top stud ... ..	2	2
27	E2287	Washer, shakeproof ... ..	2	2
28	H1047	Rod, restrictor ... ..	2	2
29	H1048	Stud, restrictor rod $1\frac{7}{8}$ in. in O.A. ... ..	2	2
30	H1040	Member, outer, c/w cap L.H. ... ..	1	-
31	H1149	Member, outer, c/w cap L.H. ... ..	-	1

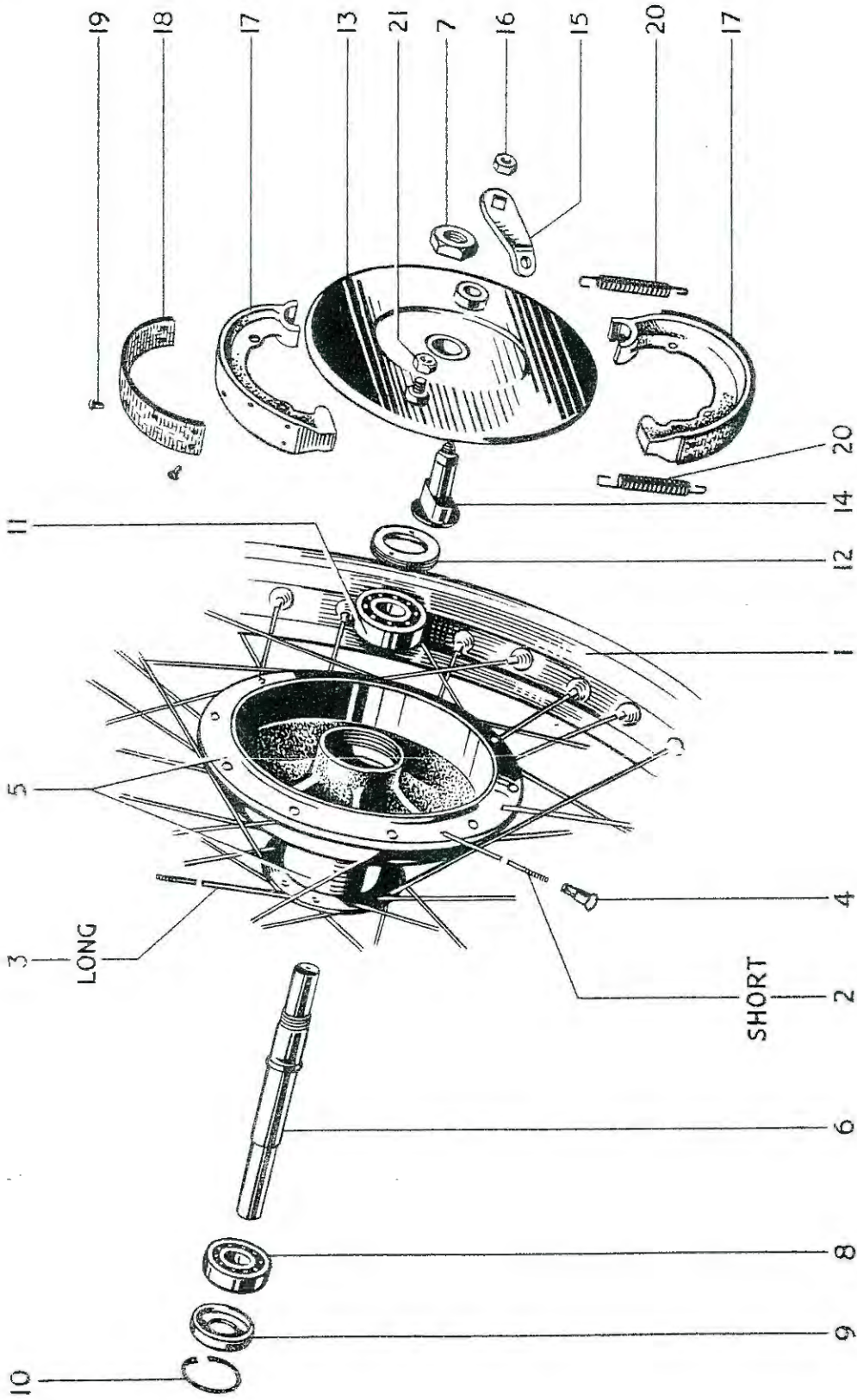
## TELESCOPIC FRONT FORK – GROUP 7

REF. No.	PART No.	DESCRIPTION	QUANTITY	
			T20	T20C
1	H1043	Member, outer, c/w cap R.H.	1	-
2	H1150	Member, outer, c/w cap R.H.	-	1
3	H1042	Stud, oil drain $\frac{35}{32}$ in. O.A.	2	2
4	WE170	Washer, fibre	2	2
5	H856	Cap, wheel spindle	2	2
6	E1612	Washer, shakeproof	4	4
7	W932	Bolt, spindle cap 1 in. U.H.	4	4
8	H1046	Bush, fork top	2	2
9	H862	Washer, sleeve nut, steel	2	2
10	H1045	Sleeve nut, dust excluder	2	-
11	H1151	Sleeve nut, dust excluder	-	2
12	H1044	Oil seal, rubber	2	2
13	H823	Nacelle, bottom unit	1	-
14	H824	Nacelle, bottom unit	-	1
15	H1222	Gaiter, telescopic	-	2
16	D404	Clip, gaiter	-	2
17	H822	Nacelle, top unit...	1	1
18	H877	Flash, L.H. (motif)	1	1
19	H878	Flash R.H. (motif)	1	1
20	H688	Screw, flash and top and bottom unit $\frac{5}{16}$ in. U.H.	2	2
21	H691	Nut, flash and top and bottom unit	2	2
22	E2880	Washer, flash and top and bottom unit	2	2
23	H916	Screw, flash and top and bottom unit (centre) $\frac{9}{32}$ in. U.H.	2	2
24	H689	Screw, top and bottom unit (rear) $\frac{1}{2}$ in. U.H.	2	2
25	H691	Nut, top and bottom unit (rear)	2	2
26	E2880	Washer, top and bottom unit (rear)	2	2
27	H961	Grommet, control cables	3	3

### STEERING RACES

28	H835	Cup, steering race (top and bottom)	2	2
29	H833	Cone, steering race (top and bottom)	2	2
30	S70-3	Ball, steering race (top and bottom)	30	30
31	H836	Cover, steering race, dust	1	1

**GROUP 8 - WHEELS**



**FIG. 7. FRONT WHEEL.**

For Index See Page 29.

## WHEELS — GROUP 8

REF. No.	PART No.	DESCRIPTION	QUANTITY
----------	----------	-------------	----------

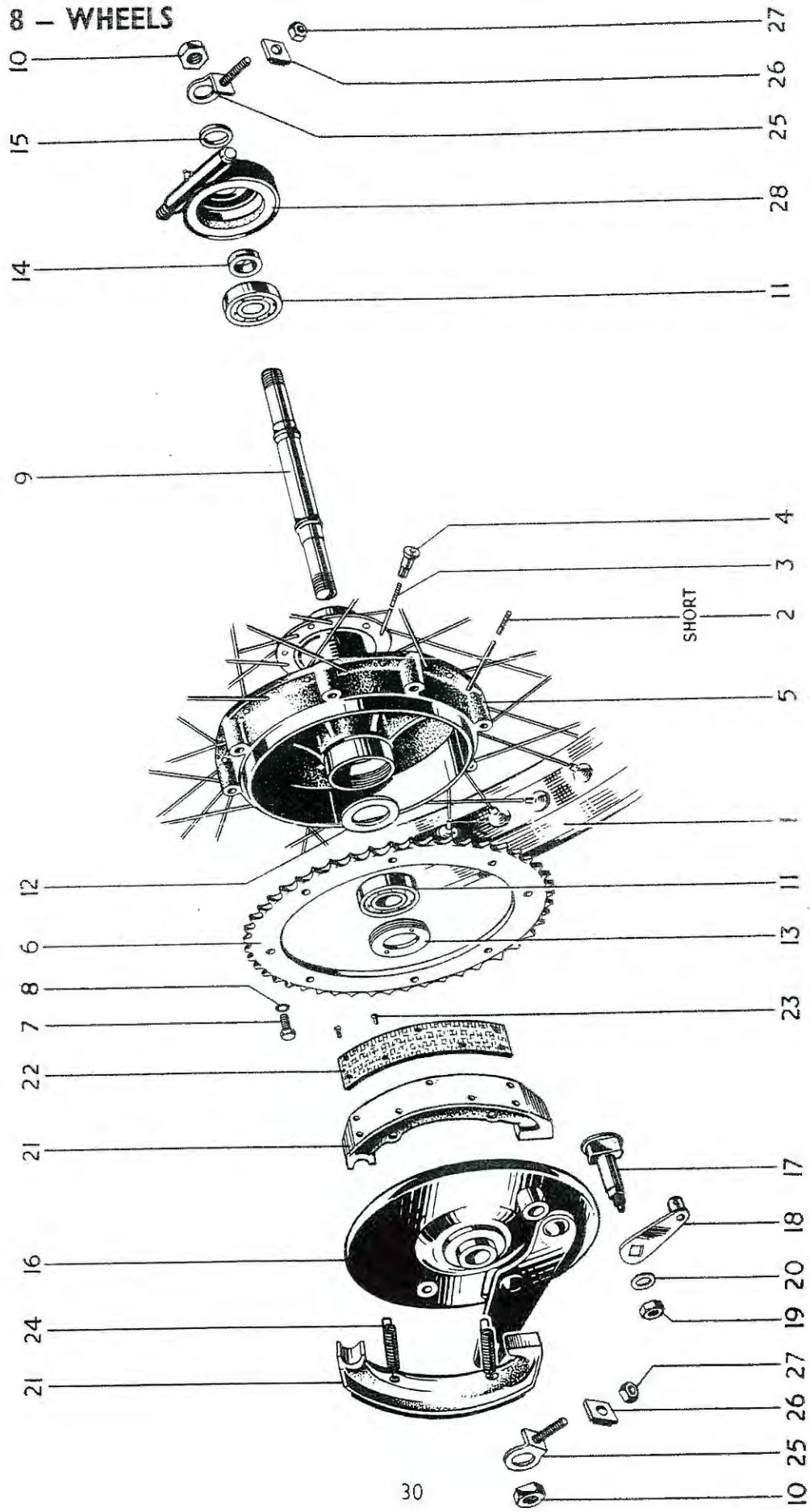
### WHEELS — GROUP 8

FRONT WHEEL			T20	T20C
1	W1171	Wheel, front complete ... ..	1	—
2	W1303	Wheel, front complete ... ..	—	1
3	W1172	Rim, spokes and hub assembly ... ..	1	—
4	W1285	Rim, spokes and hub assembly ... ..	—	1
5	W1173	Rim, front wheel, W.M.2.-16 ... ..	1	—
6	W1002	Rim, front wheel, W.M.1.-19 ... ..	—	1
7	W1174	Spoke and nipple, L.H. 6 $\frac{3}{8}$ ins. 90° ... ..	20	—
8	W1175	Spoke and nipple, R.H., 5 $\frac{11}{32}$ ins. 90° ... ..	20	—
9	W1289	Spoke and nipple L.H., 8 $\frac{1}{2}$ in. 90° ... ..	—	20
10	W1205	Spoke and nipple, R.H. 6 $\frac{7}{8}$ ins. 100° ... ..	—	10
11	W1206	Spoke and nipple, R.H. 6 $\frac{7}{8}$ ins. 80° ... ..	—	10
12	W965	Nipple, spoke ... ..	40	40
13	W961	Hub and brake drum ... ..	1	—
14	W1286	Hub and brake drum ... ..	—	1
15	W967	Spindle, front wheel ... ..	1	1
16	W1093	Nut, front wheel spindle to anchor plate ... ..	1	1
17	T530	Bearing, front wheel L.H. ... ..	1	1
18	W966	Dust cap, front wheel L.H. ... ..	1	1
19	T532	Circlip, front wheel L.H. dust cap ... ..	1	1
20	H826	Bearing, front wheel R.H. ... ..	1	1
21	W968	Ring, front wheel R.H. locking ... ..	1	1
<b>FRONT WHEEL BRAKE</b>				
22	W1065	Plate, front brake anchor ... ..	1	1
23	W1128	Cam assembly, front brake ... ..	1	1
24	W1133	Lever, front brake ... ..	1	1
25	T224	Nut, front brake lever ... ..	1	1
26	S25-71	Washer, front brake lever ... ..	1	1

#### INDEX TO FIG. 7. PAGE 28.

Illust. No.	Part No.	Page No.	Ref. No.	Illust. No.	Part No.	Page No.	Ref. No.
1	W1173	29	5	9	W966	29	18
	W1002	29	6	10	T532	29	19
2	W1175	29	8	11	H826	29	20
	W1205	29	10	12	W968	29	21
	W1206	29	11	13	W1065	29	22
3	W1174	29	7	14	W1128	29	29
	W1289	29	9	15	W1133	29	24
4	W965	29	12	16	T224	29	25
5	W961	29	13	17	W977	31	1
	W1286	29	14	18	W978	31	2
6	W967	29	15	19	W979	31	3
7	W1093	29	16	20	W200	31	4
8	T530	29	17	21	S1-52	31	5

GROUP 8 - WHEELS



## WHEELS — GROUP 8

REF. No.	PART No.	DESCRIPTION	QUANTITY	
			T20	T20C
1	W977	Shoe, front brake c/w lining ... ..	2	2
2	W978	Lining, front brake ... ..	2	2
3	W979	Rivet, front brake lining ... ..	12	12
4	W200	Spring, front brake shoe ... ..	2	2
5	SI-52	Nut, front brake anchorage to clip ... ..	1	1
6	S26-1	Washer, front brake anchorage to clip ... ..	1	1
<b>REAR WHEEL</b>				
7	*W1217	Wheel, rear, complete ... ..	1	—
8	*W1304	Wheel, rear, complete ... ..	—	1
9	W1256	Rim, spokes and hub assembly ... ..	1	—
10	W1290	Rim, spokes and hub assembly ... ..	—	1
11	W1173	Rim, rear wheel W.M.2-16 ... ..	1	—
12	W1296	Rim, rear wheel W.M.2-18 ... ..	—	1
13	W1213	Spoke and nipple L.H. 5 $\frac{15}{32}$ ins. 100° ... ..	10	—
14	W1214	Spoke and nipple L.H. 5 $\frac{15}{32}$ ins. 80° ... ..	10	—
15	W1259	Spoke and nipple R.H. 6 $\frac{15}{16}$ ins. 90° ... ..	20	—
16	W1294	Spoke and nipple L.H. 6 $\frac{3}{8}$ ins. 100° ... ..	—	10
17	W1295	Spoke and nipple L.H. 6 $\frac{3}{8}$ ins. 80° ... ..	—	10
18	W1293	Spoke and nipple R.H. 8 ins. 90° ... ..	—	20
19	W965	Nipple, spoke ... ..	40	40
20	W1257	Hub and brake drum ... ..	1	1
21	*W1076	Sprocket, 54 teeth ... ..	1	1
* SPECIAL NOTE. Subsequent to Engine No. 35847 use :				
22	W1321	Wheel, rear, complete ... ..	1	—
23	W1335	Wheel, rear, complete ... ..	—	1
24	W1320	Sprocket, 46 teeth ... ..	1	1

### INDEX TO FIG. 8. PAGE 28.

Illust. No.	Part No.	Page No.	Ref. No.	Illust. No.	Part No.	Page No.	Ref. No.
1	W1173	31	11	12	W987	32	5
	W1296	31	12	13	W988	32	6
2	W1213	31	13	14	W954	32	7
	W1214	31	14	15	W1223	32	8
	W1294	31	16	16	W1219	32	9
	W1295	31	17	17	W1128	32	10
3	W1259	31	15	18	W1221	32	11
	W1293	31	18	19	T224	32	12
4	W965	31	19	20	S25-71	32	13
5	W1257	31	20	21	W977	32	14
6	W1076	31	24	22	W978	32	15
	W1320	31	24	23	W979	32	16
7	W1322	32	1	24	W200	32	17
8	W1122	32	2	25	W1224	32	21
9	W989	32	8	26	W1227	32	22
10	W1000	32	24	27	F879	32	23
11	H826	32	4	28	D175	32	28

## GROUP 8 – WHEELS

REF. No.	PART No.	DESCRIPTION	QUANTITY	
			T20	T20C
1	W1322	Bolt, sprocket to drum, $\frac{5}{8}$ in. U.H.	8	8
2	W1122	Washer, spring	8	8
3	W989	Spindle, rear wheel	1	1
4	H826	Bearing, rear wheel, L.H. and R.H.	2	2
5	W987	Backing ring, L.H. bearing	1	1
6	W988	Locking ring, L.H. bearing	1	1
7	W954	Distance piece, R.H. inner	1	1
8	W1223	Distance piece, R.H. outer	1	1

### REAR WHEEL BRAKE

9	W1219	Plate, brake anchor	1	1
10	W1128	Cam, brake	1	1
11	W1221	Lever, rear brake	1	1
12	T224	Nut, brake lever	1	1
13	S25-71	Washer, plain	1	1
14	W977	Shoe, brake c/w lining	2	2
15	W978	Lining, brake	2	2
16	W979	Rivet, brake lining	12	12
17	W200	Spring, shoe return	2	2
18	H211	Bolt, brake anchor, $\frac{15}{16}$ in. U.H.	1	1
19	F2184	Washer, plain	1	1
20	F3955	Nut, anchor bolt	1	1

### REAR CHAIN ADJUSTER

21	W1224	Adjuster, rear chain	2	2
22	W1227	End plate, adjuster	2	2
23	F879	Nut, adjuster	2	2
24	W1000	Nut, wheel spindle	2	2



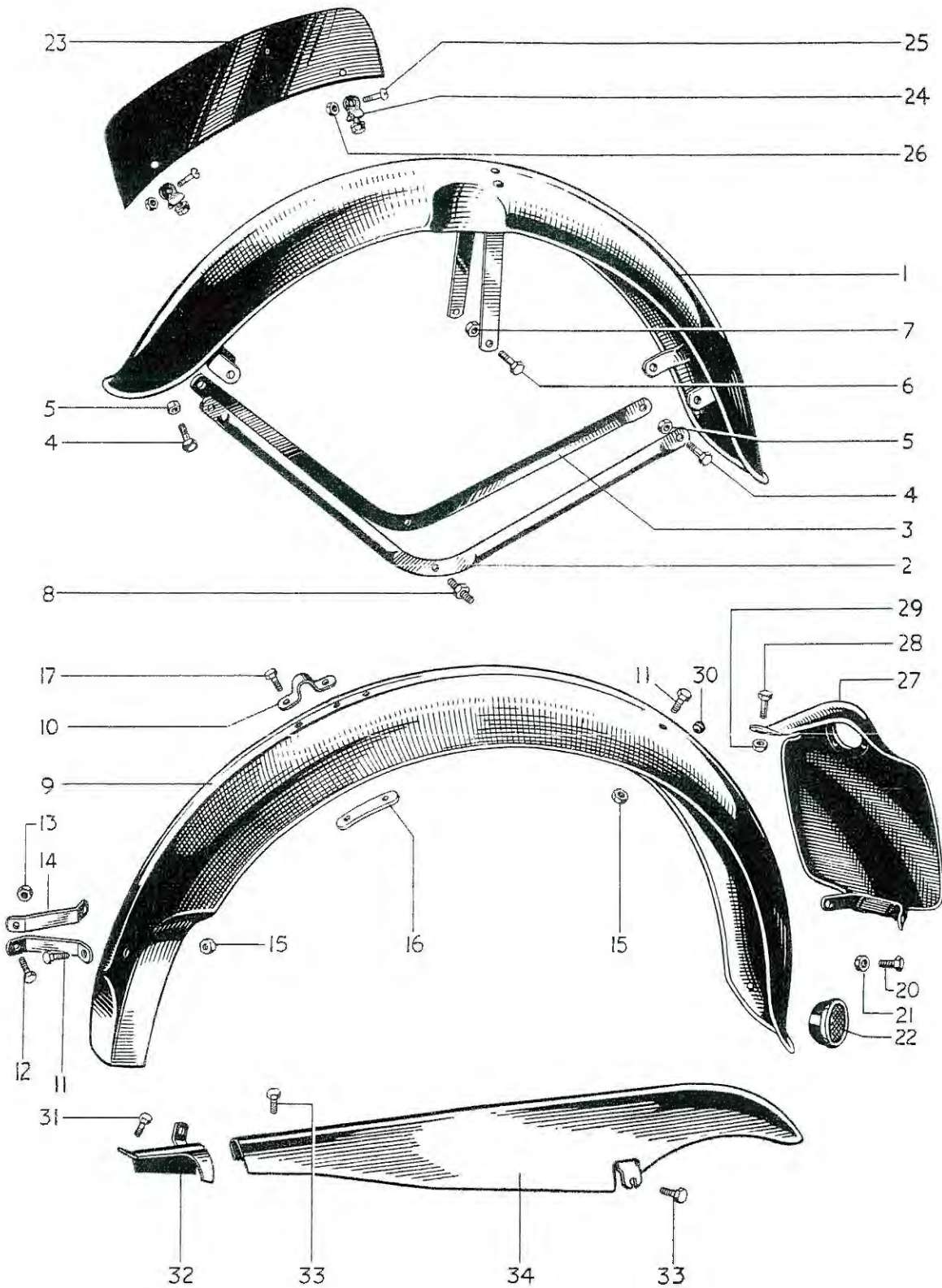
## MUDGUARDS – GROUP 9

REF. No.	PART No.	DESCRIPTION	QUANTITY
----------	----------	-------------	----------

### MUDGUARDS – GROUP 9

FRONT MUDGUARD			T20	T20C
1	H929	Mudguard, front ... ..	1	–
2	H1156	Mudguard, front ... ..	–	1
3	H871	Stay, mudguard, L.H. ... ..	1	–
4	H872	Stay, mudguard, R.H. ... ..	1	–
5	H1157	Stay assembly ... ..	–	1
6	H1161	Bridge, mudguard support ... ..	–	1
7	DS57	Bolt, mudguard stay, $\frac{7}{16}$ in. U.H. ... ..	4	6
8	E1612	Washer, shakeproof ... ..	4	–
9	S25-1	Washer, plain ... ..	–	6
10	F879	Nut, mudguard ... ..	4	6
11	F879	Nut, stay to fork lug ... ..	2	2
12	E1612	Washer, shakeproof ... ..	2	2
13	H873	Clip, bridge to fork leg ... ..	2	–
14	GS218	Bolt, clip and bridge $\frac{9}{16}$ in. U.H. ... ..	2	4
15	E1612	Washer, shakeproof ... ..	2	4
16	F879	Nut ... ..	2	4
<b>LICENCE HOLDER</b>				
17	D261	Licence holder ... ..	1	1
<b>REAR MUDGUARD</b>				
18	F4497	Mudguard, rear ... ..	1	–
19	F4270	Mudguard, rear ... ..	–	1
20	F4499	Mudshield, inner ... ..	1	–
21	F4502	Stay, mudshield front ... ..	2	–
22	F4262	Stay, mudguard front ... ..	–	2
23	DS57	Bolt, guard to stay and frame $\frac{7}{16}$ in. U.H. ... ..	4	4
24	S25-1	Washer, plain ... ..	4	4
25	F879	Nut, mudguard bolts ... ..	4	4
26	F4531	Bolt, stays and oil tank to frame $1\frac{1}{8}$ in. U.H. ... ..	1	–
27	DS55	Bolt, stays to frame $\frac{19}{16}$ in. U.H. ... ..	–	1
28	S26-3	Washer, spring ... ..	1	1
29	SI-51	Nut, stay bolt ... ..	1	1

**GROUP 9 – MUDGUARDS**



**FIG. 9. MUDGUARDS, NUMBER PLATES AND REAR CHAINGUARD.**  
 See Page 36 for Rear Panels.

## REAR PANELS — GROUP 10

REF. No.	PART No.	DESCRIPTION	QUANTITY	
			T20	T20C
1	PF204	Clip, centre	1	1
2	F444	Backing plate	1	1
3	S25-1	Washer, plain	2	2
4	S23-42	Bolt, centre clip	2	2
5	E3203	Grommet, wiring harness	2	2

## REAR PANELS — GROUP 10

6	F4503	Rear panel L.H.	1	—
7	F4505	Rear panel R.H.	1	—
8	H687	Screw, panel front $\frac{3}{8}$ in. U.H.	2	—
9	E2351	Washer, serrated	2	—
10	F3799	Nut	2	—
11	F4512	Washer, rubber	2	—
12	F4483	Screw, self tapping	2	—
13	F4511	Screw, lower fixing $\frac{5}{8}$ in. U.H.	2	—

N.B. The panels are also retained by the twinseat bolt (see Page 55)

### INDEX TO FIG. 9

Illust. No.	Part No.	Page No.	Ref. No.	Illust. No.	Part No.	Page No.	Ref. No.
1	H929	33	1	20	F1369	37	10
2	H871	33	3	21	F879	37	11
3	H872	33	4	22	57080	37	14
4	DS57	33	7	23	H874	37	1
5	F879	33	10		F2996	37	2
6	GS218	33	14	24	H741	37	3
7	F879	33	16	25	H687	37	4
8	H1042	27	3	26	H745	37	5
9	F4270	33	19	27	F3508	37	6
10	PF204	35	1	28	F929	37	7
11	DS57	33	23	29	S1-51	37	8
12	DS55	33	27	30	E3203	35	5
13	S1-51	33	29	31	DS57	38	12
14	F4262	33	22	32	F4152	38	11
15	F879	33	25	33	DS57	38	3
16	F444	35	2	34	F4089	38	1
17	S23-42	35	4		F4269	38	2

GROUP 10 — REAR PANELS

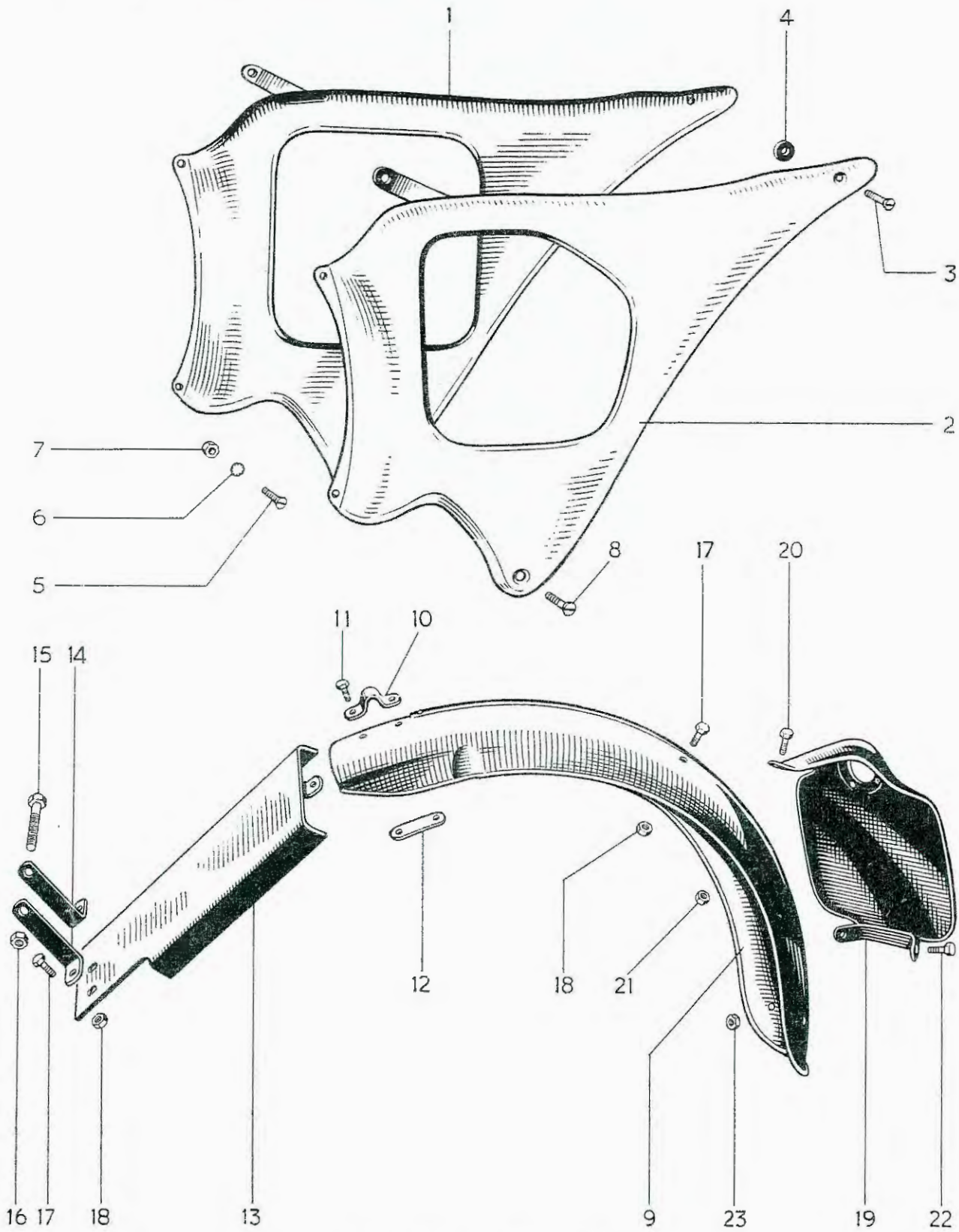


FIG. 10. REAR PANELS.

## NUMBER PLATES – GROUP 11

REF. No.	PART No.	DESCRIPTION	QUANTITY
----------	----------	-------------	----------

### NUMBER PLATES – GROUP 11

FRONT NUMBER PLATE			T20	T20C
1	H874	Plate, front number ... ..	1	–
2	F2996	Plate, front number ... ..	–	1
3	H741	Clip, assembly, front number plate ... ..	2	2
4	H687	Screw, front number plate to clip ... ..	2	2
5	H745	Nut, clip screw ... ..	2	2
<b>REAR NUMBER PLATE</b>				
6	F3508	Plate, rear number ... ..	1	1
7	F929	Bolt, number plate top $\frac{1}{2}$ in. U.H. ... ..	1	1
8	SI-51	Nut, top bolt ... ..	1	1
9	S26-3	Washer, top bolt ... ..	1	1
10	F1369	Bolt, number plate bottom $\frac{3}{8}$ in. U.H. ... ..	2	2
11	F879	Nut, bottom bolt ... ..	2	2
12	S26-2	Washer, bottom bolt ... ..	2	2
13	D68	Transfer, number plate motif ... ..	1	1
14	57080	Reflector, c/w nut and washer ... ..	1	1

### INDEX TO FIG. 10.

Illust. No.	Part No.	Page No.	Ref. No.	Illust. No.	Part No.	Page No.	Ref. No.
1	F4505	35	7	13	F4499	33	20
2	F4503	35	6	14	F4502	33	21
3	F4483	35	12	15	F4531	33	26
4	F4512	35	11	16	SI-51	33	29
5	H687	35	8	17	DS57	33	23
6	E2351	35	9	18	F879	33	25
7	F3799	35	10	19	F3508	37	6
8	F4511	35	13	20	F929	37	7
9	F4497	33	18	21	SI-51	37	8
10	PF204	35	1	22	F1369	37	10
11	S23-42	35	4	23	F879	37	11
12	F444	35	2				

**GROUP 12 – REAR CHAINGUARD****GROUP 13 – TOOLBOX, BATTERY CARRIER AND AIR CLEANER**

REF. No.	PART No.	DESCRIPTION	QUANTITY
----------	----------	-------------	----------

**REAR CHAINGUARD – GROUP 12**

									T20	T20C
1	F4089	Chainguard, rear...	...	...	...	...	...	...	1	-
2	F4269	Chainguard, rear...	...	...	...	...	...	...	-	1
3	DS57	Bolt, front and rear	...	...	...	...	...	...	2	2
4	S26-2	Washer, spring (front)	...	...	...	...	...	...	1	1
5	S25-1	Washer, plain (rear)	...	...	...	...	...	...	1	1
6	F4265	Clip, to swinging fork	...	...	...	...	...	...	-	1
7	E2818	Bolt, clip $1\frac{5}{16}$ in. U.H.	...	...	...	...	...	...	-	1
8	F4263	Distance piece	...	...	...	...	...	...	-	1
9	E1612	Washer, shakeproof	...	...	...	...	...	...	-	1
10	F879	Nut, clip bolt	...	...	...	...	...	...	-	1
11	F4152	Chainguard, front portion	...	...	...	...	...	...	1	1
12	DS57	Bolt, to crankcase $\frac{7}{16}$ in. U.H.	...	...	...	...	...	...	1	1
13	S25-13	Washer, plain	...	...	...	...	...	...	1	1
14	S26-2	Washer, spring	...	...	...	...	...	...	1	1

**TOOLBOX, BATTERY CARRIER AND AIR CLEANER  
GROUP 13**

15	F4515	Battery case/toolbox	...	...	...	...	...	...	1	-
16	F3491	Battery case/toolbox	...	...	...	...	...	...	-	1
17	F3470	Rubber pad, for battery	...	...	...	...	...	...	1	1
18	F3418	Container, air cleaner	...	...	...	...	...	...	-	1
19	H251	Beading, air cleaner	...	...	...	...	...	...	-	1
20	F3492	Element, air cleaner	...	...	...	...	...	...	-	1
21	F3656	Stud, air cleaner to case	...	...	...	...	...	...	-	1
22	H745	Nut, air cleaner to case	...	...	...	...	...	...	-	1
23	F3473	Strap, battery case	...	...	...	...	...	...	1	1
24	F3472	Hook-bolt, battery case strap and lid	...	...	...	...	...	...	1	1
25	F879	Nut, battery case hook bolt	...	...	...	...	...	...	1	1
26	F3493	Lid, casing c/w knob	...	...	...	...	...	...	1	1
27	F3474	Knob, casing lid	...	...	...	...	...	...	1	1
28	F3475	Circlip, casing lid knob	...	...	...	...	...	...	1	1
29	F4469	Connector, air cleaner to carburetter	...	...	...	...	...	...	-	1
30	199002	Grommet, wiring harness	...	...	...	...	...	...	1	1
31	S25-2	Washer, plain	...	...	...	...	...	...	1	-
32	SI-52	Nut, top fixing	...	...	...	...	...	...	1	-

Rear fixing at coil bracket Page 50, and lower fixing at mudguard bracket Page 33

TOOLS — GROUP 14

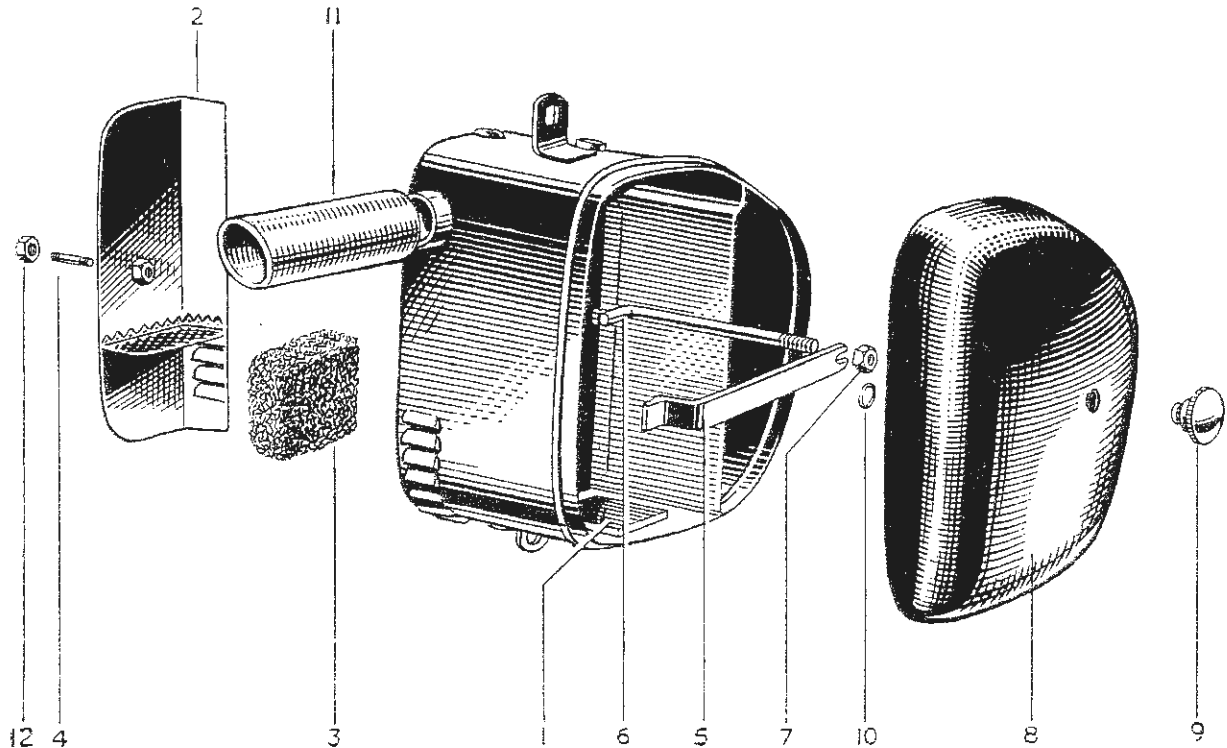


FIG. 11. TOOLBOX, BATTERY CARRIER AND AIR CLEANER.

INDEX TO FIG. 11

Illust. No.	Part No.	Page No.	Ref. No.	Illust. No.	Part No.	Page No.	Ref. No.
1	F3470	38	17	7	F879	38	25
2	F3418	38	18	8	F3493	38	26
3	F3492	38	20	9	F3474	38	27
4	F3656	38	21	10	F3475	38	28
5	F3473	38	23	11	F4469	38	29
6	F3472	38	24	12	H745	38	22

TOOLS — GROUP 14

Illustrated on page 40

REF. No.	PART No.	DESCRIPTION	QUANTITY	
			T20	T20C
1	D290	Tool kit, complete		
2	D291	Toolbag		
3	D299	Spanner, open ended, $\frac{3}{8}$ " $\times$ $\frac{7}{16}$ " Whit.		
4	D292	Spanner, open ended, $\frac{1}{8}$ " $\times$ $\frac{3}{16}$ " $\times$ $\frac{1}{4}$ " $\times$ $\frac{5}{16}$ " Whit.		
5	D293	Spanner, combination square $\times$ $\frac{3}{16}$ " $\times$ $\frac{5}{16}$ " $\times$ $\frac{1}{2}$ " Whit.		
6	D294	Spanner, screwdriver and box, $\frac{1}{4}$ " Whit.		
7	DA70	Key, clutch adjusting		
8	NA14A	Lever, tyre		
9	D335	Screwdriver, Phillips No. 2		
10	D296	Inflator, tyre (not included in D290)		

GROUP 14 - TOOLS

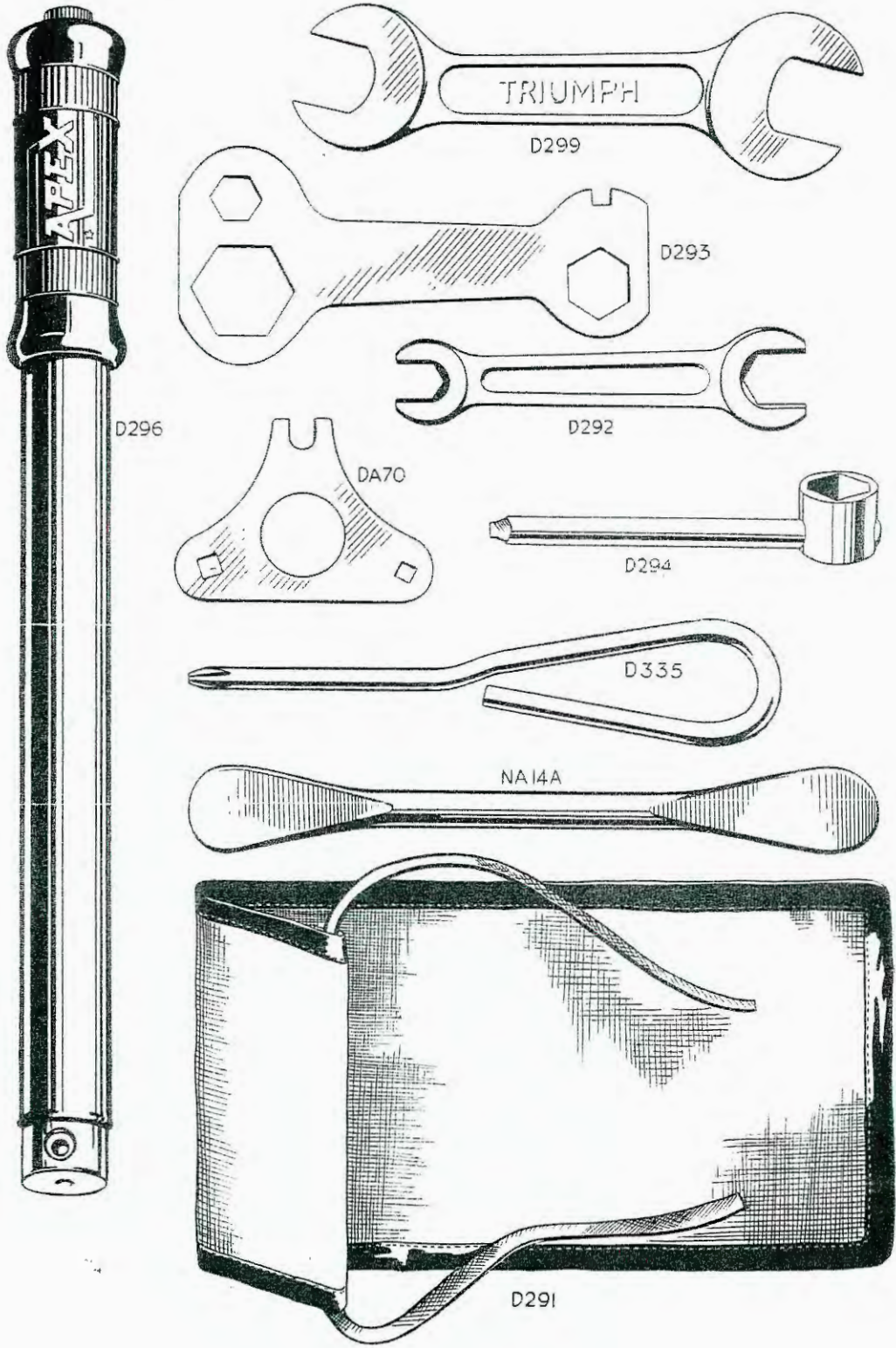


FIG. 12. TOOLS.





# GROUP 15 - PETROL AND OIL TANKS

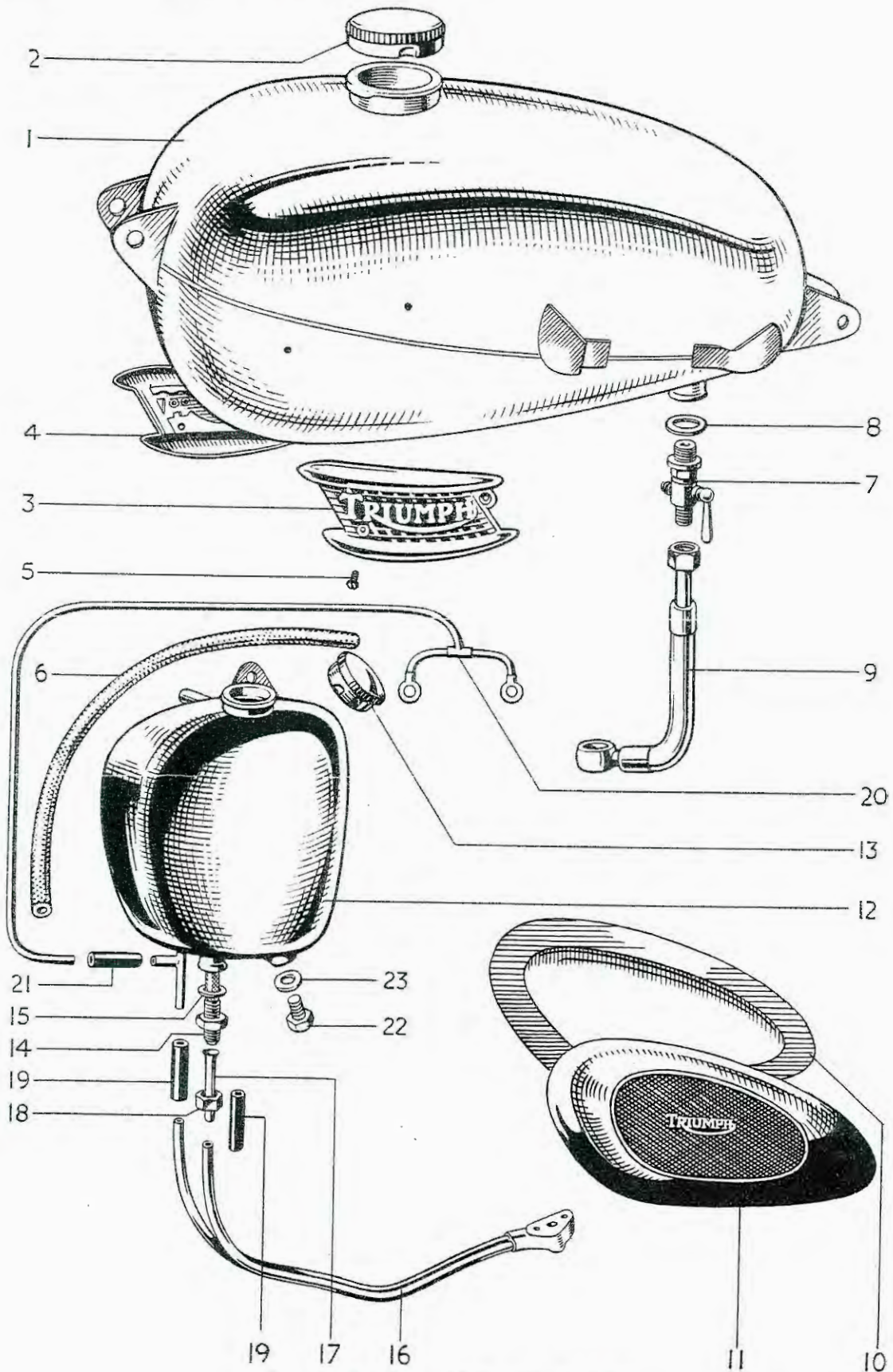


FIG. 13. PETROL AND OIL TANKS.

For Index See Page 41.

**PETROL AND OIL TANKS – GROUP 15**

**FOOTRESTS – GROUP 16**

REF. No.	PART No.	DESCRIPTION	QUANTITY	
			T20	T20C
1	F3876	Filter, oil tank ... ..	1	1
2	F1511	Washer, fibre ... ..	1	1
3	F4530	Connection, rubber ... ..	2	-
4	F3077	Connection, rubber ... ..	-	2
5	E3270	Pipe assembly, tank to engine ... ..	1	1
6	F3503	Feed pipe, top half ... ..	1	1
7	F3504	Union nut, feed pipe ... ..	1	1
8	F3274	Joint washer, pipe to engine ... ..	1	1
9	S25-13	Washer, plain ... ..	1	1
10	F879	Nut, pipe to engine ... ..	1	1
11	S25-2	Washer, plain ... ..	1	-
12	S1-52	Nut, oil tank to frame stud ... ..	1	-
13	F2596	Bolt, tank to frame bottom $1\frac{1}{8}$ in. U.H. ... ..	-	1
14	F3477	Distance piece, bottom ... ..	-	1
15	F3468	Bolt, tank to frame top $2\frac{1}{16}$ in. U.H. ... ..	-	1
16	F3476	Distance piece, top ... ..	-	2
17	S1-51	Nut, tank bolts ... ..	-	2
18	S-25-3	Washer, top bolt ... ..	-	1
19	T1203	Vent pipe, oil tank (flexible) ... ..	1	1

**FOOTRESTS – GROUP 16**

20	F4383	Footrest L.H. ... ..	1	1
21	F3450	Footrest R.H. ... ..	1	1
22	F1695	Rubber ... ..	2	2
23	F3448	Rod, footrest hanger $6\frac{3}{4}$ in. O.A. ... ..	1	1
24	H193	Nut, footrest rod ... ..	2	2

**PILLION FOOTREST**

25	F4327	Footrest, pillion complete ... ..	2	2
26	F1694	Pedal, footrest ... ..	2	2
27	F1695	Rubber, footrest pedal ... ..	2	2
28	F2271	Bolt, footrest pedal pivot ... ..	2	2
29	S1-51	Nut, footrest pedal pivot bolt ... ..	2	2
30	F2277	Washer, footrest pedal pivot bolt ... ..	2	2
31	F2268	Hangar, footrest pedal ... ..	2	2
32	F4309	Stud, footrest pedal $1\frac{3}{8}$ in. O.A. ... ..	2	2
33	P0172A	Nut, footrest pedal stud ... ..	2	2
34	S26-1	Washer, footrest pedal stud ... ..	2	2

## GROUP 17 — REAR BRAKE PEDAL

## GROUP 18 — HANDLEBAR

REF. No.	PART No.	DESCRIPTION	QUANTITY	
<b>REAR BRAKE PEDAL — GROUP 17</b>			T20	T20C
1	F4091	Pedal, rear brake ... ..	1	1
2	F4090	Spindle, brake pedal ... ..	1	1
3	PO172A	Nut, to frame ... ..	1	1
4	S26-1	Washer, spring ... ..	1	1
5	T224	Nut, pedal to spindle ... ..	1	1
6	S25-3	Washer plain ... ..	1	1
7	F4093	Rod, brake operating ... ..	1	1
8	F3461	Washer, pedal to rod ... ..	1	1
9	F3594	Washer, rod to pedal (for stop lamp) ... ..	A	A
10	$\frac{1}{16}$ in $\times$ $\frac{1}{2}$ in.	Split pin, rod to pedal ... ..	1	1
11	F3463	Adjuster, brake rod ... ..	1	1

## HANDLEBARS — GROUP 18

*Illustrated on Page 45—Fig. 14*

12	70/510	Handlebar, c/w levers and twistgrip ... ..	1	—
13	H1192	Handlebar, c/w levers and twistgrip ... ..	—	1
14	91/314	Handlebar, c/w lever brackets ... ..	1	—
15	H934	Handlebar bend only ... ..	—	1
16	H881	Grommet, handlebar to nacelle ... ..	2	2
17	H864	Support, handlebar to top lug ... ..	2	2
18	H865	“U” bolt, handlebar ... ..	2	2
19	F879	Nut, “U” bolt ... ..	4	4
20	S25-13	Washer, plain ... ..	4	4
21	16/069	Grip, handlebar ... ..	1	1

## CONTROL LEVERS

22	70/316	Lever, clutch control ... ..	1	—
23	70/317	Lever, front brake control ... ..	1	—
24	100/006	Screw, lever to bracket ... ..	2	—
25	70/016	Washer, Spring ... ..	2	—
26	18/717	Nut, lever screw ... ..	2	—
27	70/005	Stop, brake and clutch cable ... ..	2	—

# HANDLEBAR — GROUP 18

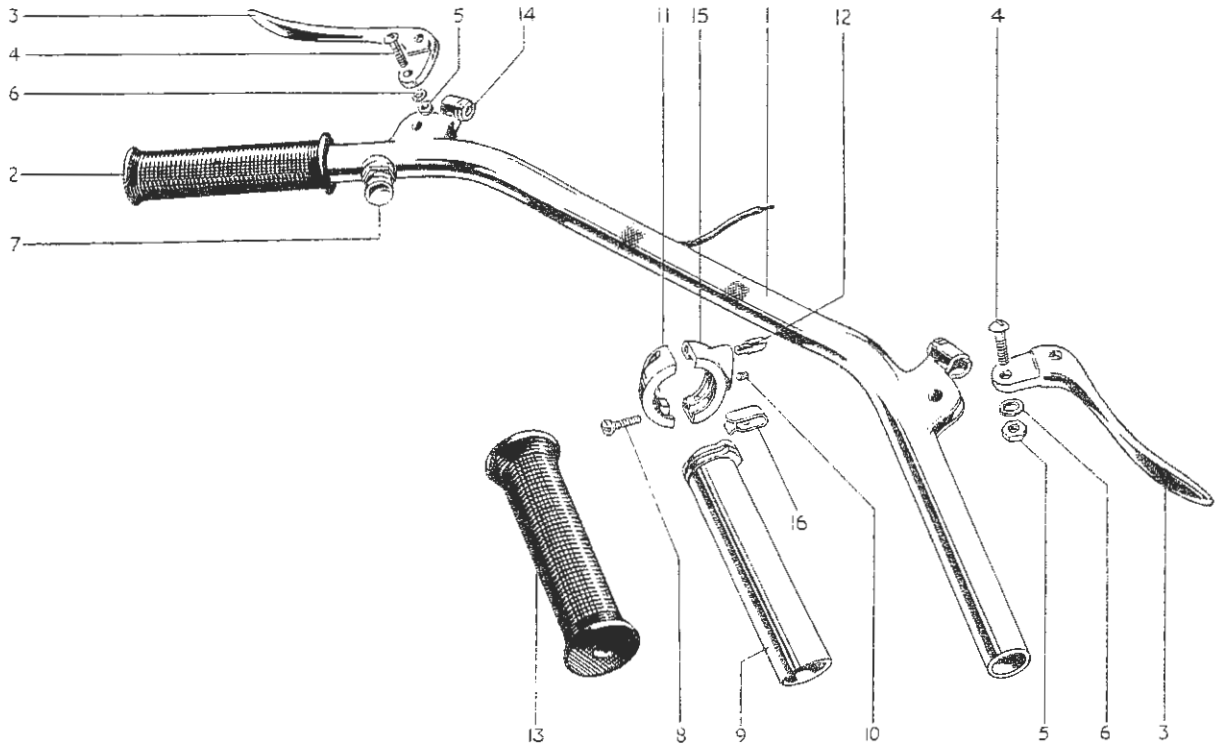


FIG. 14. HANDLEBAR AND COMPONENTS.

## INDEX TO FIG. 14.

<i>Illust. No.</i>	<i>Part No.</i>	<i>Page No.</i>	<i>Ref. No.</i>	<i>Illust. No.</i>	<i>Part No.</i>	<i>Page No.</i>	<i>Ref. No.</i>
1	91/314	44	14	9	366/004	46	13
2	16/069	44	21	10	366/008	46	15
3	70/316	44	22	11	366/001		11
	70/317	44	23	12	366/006	46	18
4	100/006	44	24	13	16/070	46	17
5	18/717	44	26	14	70/005	44	27
6	70/016	44	25	15	366/002	46	12
7	H886	51	33	16	366/007	46	14
8	376/079	46	16				

**GROUP 18 – HANDLEBAR**

**GROUP 19 – CONTROL CABLES**

REF. No.	PART No.	DESCRIPTION	QUANTITY	
			T20	T20C
1	18/763	Lever Assembly, clutch ... ..	-	1
2	18/762	Lever Assembly, front brake ... ..	-	1
3	18/752	Lever, clutch (Ball end) ... ..	-	1
4	18/754	Lever, front brake (Ball end) ... ..	-	1
5	18/234	Bracket, lever fulcrum ... ..	-	2
6	12/040	Clamp, lever bracket ... ..	-	2
7	11/014	Screw, bracket, to clamp ... ..	-	4
8	18/087	Screw, lever pivot ... ..	-	2
9	18/053	Nut, pivot screw ... ..	-	2

**TWISTGRIP**

10	366/2	Twistgrip, complete ... ..	1	1
11	366/001	Body, top half ... ..	1	1
12	366/002	Body, bottom half ... ..	1	1
13	366/004	Rotor ... ..	1	1
14	366/007	Spring, friction ... ..	1	1
15	366/008	Screw, friction spring ... ..	1	1
16	376/079	Screw, fixing ... ..	2	2
17	16/070	Grip, plastic ... ..	1	1
18	366/006	Cable stop ... ..	1	1
19	D407	Nipple, cable ... ..	1	1

**CONTROL CABLES GROUP 19**

**FRONT BRAKE CABLE**

20	D323	Cable assembly, front brake ... ..	1	-
21	D413	Cable assembly, front brake ... ..	-	1
22	D103	Ferrule, casing ... ..	2	2
23	18/107	Nipple (Handlebar end) ... ..	1	-
24	D81	Nipple (Handlebar end) ... ..	-	1
25	DS73	Nipple (Wheel end) ... ..	1	1
26	D279	Adjuster, cable ... ..	1	1
27	F879	Nut, adjuster lock ... ..	1	1
28	D280	Clevis, brake wire ... ..	1	1
29	D281	Pin, clevis ... ..	1	1
30	$\frac{1}{16}$ in. $\times$ $\frac{1}{2}$ in.	Split pin, clevis pin ... ..	1	1

**CONTROL CABLES — GROUP 19**  
**HANDLEBAR (U.S.A.) — GROUP 20**

REF. No.	PART No.	DESCRIPTION	QUANTITY	
			T20	T20C
<b>THROTTLE CABLE</b>				
1	D406	Throttle cable ... ..	1	1
2	I2/083	Ferrule, casing ... ..	2	2
3	D411	Nipple (at twistgrip) ... ..	1	1
4	D407	Nipple (at carburetter) ... ..	1	1
<b>CLUTCH CABLE</b>				
5	D331	Clutch cable ... ..	1	—
6	D332	Clutch cable ... ..	—	1
7	D103	Ferrule, casing ... ..	2	2
8	I8/706	Nipple (Handlebar) ... ..	1	—
9	D81	Nipple (Handlebar) ... ..	—	1
10	D334	Nipple (Clutch) ... ..	1	1
11	D319	Adjuster cable ... ..	1	1
12	D268	Locknut, adjuster ... ..	1	1
13	D288	Abutment (Handlebar) ... ..	1	1
14	D333	Abutment (Clutch) ... ..	1	1

**HANDLEBAR (U.S.A.) — GROUP 20**

**HANDLEBAR**

15	H933	Handlebar c/w control lever and Twistgrip ... ..	1	1
16	H934	Handlebar bend only ... ..	1	1
17	I6/069	Grip, handlebar rubber ... ..	1	1

**CONTROL LEVERS**

18	I8/557	Lever assembly, clutch control ... ..	1	1
19	I8/556	Lever assembly, front brake control ... ..	1	1
20	I8/528	Lever only, clutch and brake ... ..	2	2
21	I8/234	Bracket, lever fulcrum ... ..	2	2
22	I2/040	Clamp, lever bracket ... ..	2	2
23	I1/014	Screw, lever bracket to clamp ... ..	4	4
24	I8/087	Screw, lever fulcrum ... ..	2	2
25	I8/053	Nut, lever fulcrum ... ..	2	2

TWISTGRIP and CONTROL CABLES for U.S.A. Handlebars are exactly as specified for standard T20C

## GROUP 21 – NACELLE GEAR INDICATOR

REF. No. PART No. DESCRIPTION QUANTITY

### NACELLE GEAR INDICATOR – GROUP 21

T20 T20C

#### NACELLE GEAR INDICATOR

1	H1020	Rack and pinion assembly	...	...	...	...	1	1
2	H689	Screw, rack and pinion to nacelle $\frac{1}{4}$ in. U.H....	...	...	...	...	2	2
3	H937	Spindle assembly	...	...	...	...	1	1
4	H939	Finger, indicator	...	...	...	...	1	1
5	H688	Screw, finger to spindle $\frac{5}{16}$ in. U.H.	...	...	...	...	1	1
6	H921	Plate, gear indicator	...	...	...	...	1	1

#### GEAR INDICATOR CABLE

7	D282	Cable assembly, gear indicator	...	...	...	...	1	1
8	I2/083	Ferrule, gear indicator casing	...	...	...	...	2	2
9	D285	Nipple, gear indicator cable (Engine end)	...	...	...	...	1	1
10	I8/I15	Nipple, gear indicator casing (Indicator end)	...	...	...	...	2	2
11	E3280	Abutment gear indicator cable c/case...	...	...	...	...	1	1
12	H1019	Spring, gear indicator cable	...	...	...	...	1	1
13	D284	Adjuster, gear indicator cable	...	...	...	...	1	1
14	H745	Locknut, gear indicator cable adjuster	...	...	...	...	1	1



## PROPRIETARY FITTINGS

Ancillary equipment which is fitted to our motor cycles is of the highest quality and is guaranteed by the manufacturers and not by ourselves. Any repairs or claims should be sent to the actual maker, or one of their accredited agents who will always give owners every possible assistance. The following are the addresses of the various manufacturers.

CARBURETTERS	... ..	Zenith Carburetter Co., Honeypot Lane, Stanmore, Middlesex.
CHAINS	... ..	Renold Chain, Ltd., Wythenshawe Manchester.
ELECTRICAL EQUIPMENT	... ..	Messrs. J. Lucas, Ltd., Great Hampton Street, Birmingham, 18.
HORN	... ..	Messrs. Clear Hooters Ltd., Reliance Works, Bedworth, Nuneaton, Warwickshire
SPARKING PLUGS	... ..	Champion Sparking Plugs Ltd., Feltham, Middlesex.
		K.L.G. Sparking Plugs Ltd., Cricklewood Works, London, N.W.2.
		Lodge Plugs Ltd., Rugby, Warwickshire.
SPEEDOMETERS	... ..	Messrs. Smiths Motor Accessories Ltd., Cricklewood Works, London, N.W.2.
SUSPENSION UNITS	... ..	Girling Ltd. Kings Road, Tyseley, Birmingham, 11.

## GROUP 22 — LUCAS ELECTRICAL EQUIPMENT

REF. No. PART No. DESCRIPTION QUANTITY

### LUCAS ELECTRICAL EQUIPMENT — GROUP 22

#### ALTERNATOR (RMI3)

T20 T20C

1	047518	Alternator assembly	...	...	...	...	...	...	1	1
2	466124	Rotor	...	...	...	...	...	...	1	1
3	468678	Stator complete	...	...	...	...	...	...	1	1
4	862898	Cable, stator output	...	...	...	...	...	...	1	1
5	E3475	Grommet, alternator cable	...	...	...	...	...	...	1	1
6	E3204	Screw, stator to chaincase, 1 in. U.H.	...	...	...	...	...	...	5	5
7	E1612	Washer, shakeproof	...	...	...	...	...	...	5	5
8	E1580	Key, rotor to shaft	...	...	...	...	...	...	1	1
9	E3971	Nut, rotor to shaft	...	...	...	...	...	...	1	1
10	E4058	Washer, rotor nut	...	...	...	...	...	...	1	1

#### RECTIFIER

11	47111A	Rectifier	...	...	...	...	...	...	1	1
12	F3600	Nut, to frame	...	...	...	...	...	...	1	1

#### IGNITION COIL (MA6)

13	45077A	Coil	...	...	...	...	...	...	1	1
14	DS57	Bolt, to bracket $\frac{7}{16}$ in. U.H.	...	...	...	...	...	...	1	2
15	F1369	Bolt, coil and toolbox bracket, $\frac{5}{8}$ in. U.H.	...	...	...	...	...	...	1	—
16	E1612	Washer, shakeproof	...	...	...	...	...	...	2	2
17	F879	Nut, coil bolt	...	...	...	...	...	...	2	2
18	422567	Grommet, H.T. Cable	...	...	...	...	...	...	1	1
19	421863	Clip, H.T. cable	...	...	...	...	...	...	1	1
20	236741	Sleeve, L.T. cable	...	...	...	...	...	...	2	2

#### DISTRIBUTOR (15DI)

21	40529A	Distributor	...	...	...	...	...	...	1	1
22	406105	Clamping plate assembly	...	...	...	...	...	...	1	1
23	421106	Contact set	...	...	...	...	...	...	1	1
24	421327	Condenser	...	...	...	...	...	...	1	1
25	423759	Cam	...	...	...	...	...	...	1	1
26	421407	Spring set, auto advance	...	...	...	...	...	...	1	1
27	421056S	Weight set, auto advance	...	...	...	...	...	...	1	1
28	421054	Shaft and action plate	...	...	...	...	...	...	1	1
29	419645	Sundry parts set	...	...	...	...	...	...	1	1
30	DS57	Bolt, plate to crankcase $\frac{7}{16}$ in. U.H.	...	...	...	...	...	...	1	1
31	S25-13	Washer, plain	...	...	...	...	...	...	1	1
32	E3309	Sealing ring, distributor	...	...	...	...	...	...	1	1

#### BATTERY (PUZSE/II)

33	408200	Battery	...	...	...	...	...	...	1	1
----	--------	---------	-----	-----	-----	-----	-----	-----	---	---

## LUCAS ELECTRICAL EQUIPMENT — GROUP 22

REF. No.	PART No.	DESCRIPTION	QUANTITY	
			T20	T20C
<b>HEADLAMP (MCF 575)</b>				
1	51519A	Headlamp assembly ... ..	1	1
2	516723	Rim, headlamp ... ..	1	1
3	500291	Wire, light unit fixing ... ..	4	4
4	516728	Light unit ... ..	1	1
5	554946	Adaptor assembly ... ..	1	1
6	554710	Bulbholder, pilot ... ..	1	1
7	553780	Interior, pilot ... ..	1	1
8	312	Bulb, main 30/24W ... ..	1	1
9	988	Bulb, pilot 3W ... ..	1	1
10	H876	Adjuster screw, headlamp ... ..	1	1
11	H745	Locknut, adjuster screw ... ..	1	1
12	H875	Spring, adjuster screw ... ..	1	1
<b>LIGHTING AND IGNITION SWITCH (P.R.S. 8)</b>				
13	31443E	LIGHTING AND IGNITION SWITCH ... ..	1	1
14	318323	Grommet, for key ... ..	1	1
15	318241	Key ... ..	1	1
16	319333	Screw, for knob ... ..	1	1
17	318346	Knob ... ..	1	1
18	318343	Plate, index ... ..	1	1
<b>DIPPER SWITCH</b>				
19	380521	Switch, dipper ... ..	1	1
<b>TAIL LAMP (529)</b>				
20	53256A	Lamp, tail ... ..	1	1
21	526404	Lens ... ..	1	1
22	526406	Window, number plate ... ..	1	1
23	133551	Screw, fixing lens ... ..	2	2
24	161385	Grommet, screw... ..	2	2
25	554719	Bulb holder ... ..	1	1
26	526408	Base, rubber ... ..	1	1
27	988	Bulb, 3W ... ..	1	1
28	526410	Screw, lamp to number plate ... ..	3	3
29	166103	Nut, lamp to number plate ... ..	3	3
30	188366	Washer, lamp to number plate ... ..	3	3
<b>WIRING HARNESS</b>				
31	838121	Harness wiring ... ..	1	1
<b>HORN (CLEAR HOOTER)</b>				
32	D300	Horn ... ..	1	1
33	H886	Button, horn (No. 15) ... ..	1	1
34	D314	Bracket, horn ... ..	1	1

# GROUP 23 — ZENITH CARBURETTOR

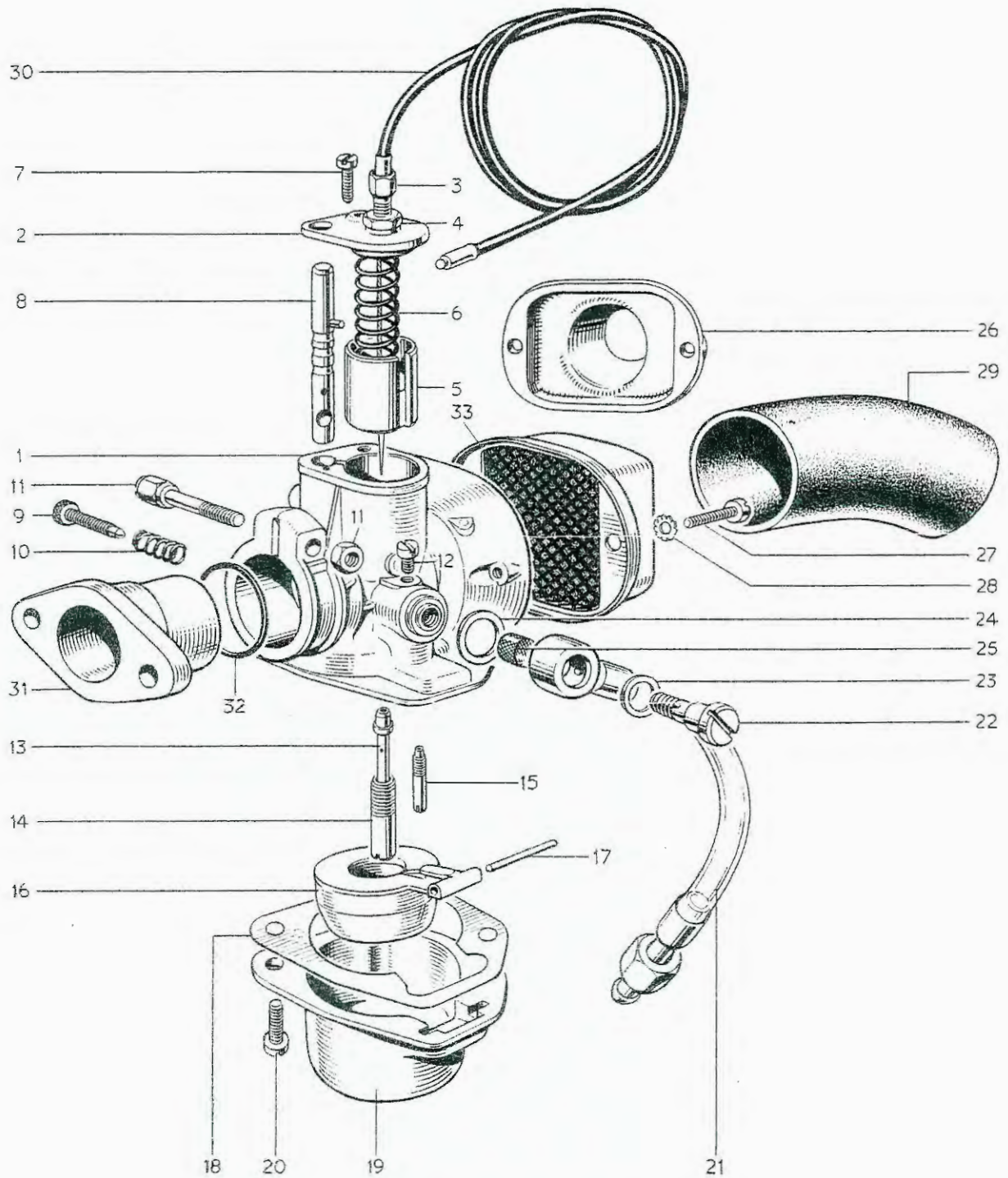


FIG. 15. ZENITH CARBURETTOR

## ZENITH CARBURETTER — GROUP 23

REF. No.	PART No.	DESCRIPTION	QUANTITY	
<b>ZENITH CARBURETTER — GROUP 23</b>				
			T20	T20C
1	17MXZ-CS5	Carburetter c/w throttle cable	1	1
2	017620	Body, carburetter	1	1
3	017619	Screw, plug	1	1
4	017129	Fibre washer, large	1	1
5	017130	Gauze, filter	1	1
6	017131	Bolt, union	1	1
7	017132	Fibre washer, small	1	1
8	017133	Jet, slow running (50)	1	1
9	017134	Jet main (78)	1	1
10	017621	Tube, emulsion	1	1
11	017624	Slide, throttle	1	1
12	017625	Spring, throttle slide	1	1
13	017628	Slide, starter (65)	1	1
14	017759	Top, mixing chamber c/w adjuster	1	1
15	017629	Top, mixing chamber	1	1
16	07087	Screw, top to body	1	1
17	017143	Adjuster, cable	1	1
18	07323	Locknut, adjuster	1	1
19	017144	Screw, throttle stop	1	1
20	017156	Spring, throttle stop screw	1	1

### INDEX TO FIG. 15.

Illust. No.	Part No.	Page No.	Ref. No.	Illust. No.	Part No.	Page No.	Ref. No.
1	017620	53	2	18	017630	54	4
2	017629	53	15	19	017583	54	5
3	017143	53	17	20	07087	54	6
4	07323	53	18	21	F4537	41	14
5	017624	53	11	22	017131	53	6
6	017625	53	12	23	017132	53	7
7	07087	53	16	24	017129	53	4
8	017628	53	13	25	017130	53	5
9	017144	53	19	26	017570	54	7
10	017156	53	20	27	07967	54	8
11	017797	54	1	28	04692	54	9
12	017619	53	3	29	F4469	38	29
13	017134	53	9	30	D406	47	1
14	017621	53	10	31	E3954	54	13
15	017133	53	8	32	017729	54	10
16	220630	54	2	33	E3981	54	16
17	216472	54	3				

## GROUP 23 — ZENITH CARBURETTER

REF. No.	PART No.	DESCRIPTION	QUANTITY	
			T20	T20C
1	017797	Clamp bolt and nut ... ..	1	1
2	220630	Float ... ..	1	1
3	216472	Pin, float hinge ... ..	1	1
4	017630	Washer, joint ... ..	1	1
5	017583	Bowl, float ... ..	1	1
6	07087	Screw, float bowl ... ..	2	2
7	017570	Adaptor, intake ... ..	-	1
8	07967	Screw, adaptor ... ..	2	2
9	04692	Washer, adaptor screw ... ..	2	2
10	017729	"O" ring, carburetter to cylinder head ... ..	1	1

### CARBURETTER FITTINGS (TRIUMPH)

11	E3254	Insulating block, adaptor to head ... ..	1	1
12	E3250	Joint washer, adaptor ... ..	2	2
13	E3954	Adaptor, carburetter to head ... ..	1	1
14	S25-13	Washer, plain ... ..	2	2
15	F879	Nut, carburetter adaptor ... ..	2	2
16	E3981	Air cleaner ... ..	1	-

### SPEEDOMETER — GROUP 24

17	80421/36/2	Speedometer, 80 m.p.h.—Non-Trip ... ..	1	-
18	80421/55/2	Speedometer, 80 m.p.h.—Non-Trip ... ..	-	1
19	80421/37/2	Speedometer, 140 k.p.h.—Non-Trip ... ..	A	-
20	80421/58/2	Speedometer, 140 k.p.h.—Non Trip ... ..	-	A
21	31/4/2/1	Fixing strap, speedometer ... ..	1	1
22	31/1/7	Nut, fixing strap ... ..	1	1
23	D356	Cable, speedometer drive 58 ins. (53395) ... ..	1	1
24	D356C	Casing, speedometer drive (53398) ... ..	1	1
25	D356W	Wire, speedometer drive (52108/1) ... ..	1	1
26	D175	Gearbox, speedometer drive (52283/64/3) ... ..	1	1
27	F3098	Clip, speedometer cable ... ..	1	1

### SPARKING PLUG — GROUP 25

28	HN	Plug, sparking (Lodge) ... ..	1	1
29	F80	Plug (single point) sparking (K.L.G.) ... ..	1	1
30	L7	Plug, sparking (Champion) ... ..	1	1
31	D297	Cover, sparking plug and suppressor ... ..	1	1
32	D262	Cover, sparking plug (U.S.A.) ... ..	A	A

**TWINSEAT – GROUP 26**  
**CHAINS – GROUP 27**  
**GIRLING SUSPENSION UNIT – GROUP 28**

REF. No. PART No. DESCRIPTION QUANTITY

**TWINSEAT – GROUP 26**

		T20 T20C	
1	F4516	Twinseat, c/w attachments	1 -
2	F4272	Twinseat, c/w attachments	- 1
SPECIAL NOTE. Seat less rear bracket interchangeable :			
3	E3181	Bolt, front bracket and panels to frame, 2 $\frac{1}{8}$ in. U.H.	1 -
4	E667A	Bolt, front bracket to frame, 1 $\frac{1}{2}$ ins. U.H.	- 1
5	S25-3	Washer, plain	1 1
6	S1-51	Nut, front bolt	1 1
7	F4105	Bracket, rear	1 -
8	F4261	Bracket, rear	- 1
9	E1612	Washer, shakeproof	2 2
10	F879	Nut, bracket, to pan	2 2
11	F4361	Safety strap twinseat	A A
12	F4129	Screw, strap to seat, $\frac{1}{2}$ in. U.H.	4 4
13	GS299	Washer, shakeproof	4 4
14	H745	Nut, strap screw...	4 4

**CHAINS – GROUP 27**

15	D382	Chain, primary 114038, $\frac{3}{8}$ in. $\times$ $\frac{3}{16}$ in. Duplex $\times$ 62 links	1 1
16	D277	Chain, rear 110044, $\frac{1}{2}$ in. $\times$ $\frac{9}{16}$ in. $\times$ 112 links	1 1

**GIRLING SUSPENSION UNIT – GROUP 28**

17	SC2.6/209	Suspension unit, complete	2 -
18	SC3/204	Suspension unit, complete	- 2
19	9054/316A	Bonded bush, top	2 2
20	9054/316J	Bonded bush, bottom	2 2
21	F1760	Bolt, unit top, 1 $\frac{1}{16}$ in. U.H.	2 2
22	S25-2	Washer, unit top and bottom	4 4
23	PO172A	Nut, unit top and bottom	4 4
24	F4311	Bracket, unit bottom	- 2
25	H622	Bolt, bracket, 1 $\frac{1}{16}$ in. U.H.	- 2
26	F3207	Spacer, bracket bolt	- 2
27	E1330C	Washer, plain	- 2
28	S1-51	Nut, bracket bolt	- 2

# SUPPLEMENT FOR T20S

All other parts for T20S are as listed for T20C

REF. No.	PART No.	DESCRIPTION	QUANTITY
<b>ENGINE — GROUP 2</b>			
1	CP172	Piston c/w rings, etc. (9 : 1 compression ratio) ... ..	1
2	E3959	Ring, compression ... ..	1
3	E3960	Ring, compression (Taper) ... ..	1
4	E3961	Ring, oil control ... ..	1
5	E4049	Head, cylinder c/w guides and exhaust adaptor ... ..	1
6	E3963	Valve, inlet ... ..	1
7	E3965	Spring, valve inner ... ..	2
8	E3966	Spring, valve outer ... ..	2
9	E3964	Cup, valve spring bottom ... ..	2
10	E3962	Camshaft, inlet and exhaust ... ..	1
11	E4079	Pinion, timing and distributor drive ... ..	1
<b>GEARBOX — GROUP 3</b>			
12	T1588	Gear cluster, mainshaft ... ..	1
13	T1565	Gear, mainshaft high c/w bush (27T) ... ..	1
14	T1594	Gear cluster, layshaft ... ..	1
15	E4048	Blanking plug, gear indicator outlet ... ..	1
<b>FRAME — GROUP 5</b>			
16	F4544	Frame, front ... ..	1
<b>TELESCOPIC FRONT FORK — GROUP 7</b>			
17	H1256	Fork assembly ... ..	1
18	H1257	Middle lug and stem ... ..	1
19	H941	Bolt, middle lug pinch ... ..	2
20	S25-2	Washer ... ..	2
21	H975	Nut, pinch bolt ... ..	2
22	H1108	Lug, fork top ... ..	1
23	F1760	Bolt, top lug pinch ... ..	1
24	H379	Nut, pinch bolt ... ..	1
25	H1260	Sleeve nut, fork stem ... ..	1
26	H1280	Stanchion c/w bearing ... ..	2
27	H443	Bearing, stanchion lower ... ..	2
28	H1058	Nut, bearing to stanchion ... ..	2
29	H1117	Bottom member, L.H. complete ... ..	1
30	H1118	Bottom member, R.H. complete ... ..	1



## MODEL T20S

REF. No.	PART No.	DESCRIPTION	QUANTITY
1	H1053	Cap, wheel spindle ... ..	2
2	S26-3	Washer, spring ... ..	4
3	H1070	Bolt, spindle cap ... ..	4
4	H1071	Plug, drain ... ..	2
5	H430	Washer, fibre ... ..	2
6	H1063	Bolt, restrictor to bottom lug ... ..	2
7	H1062	Washer, aluminium ... ..	2
8	H1126	Sleeve, bottom member ... ..	2
9	H441	Bearing, bottom member ... ..	2
10	H1194	Sleeve, assembly, dust excluder ... ..	2
11	H1168	Oil seal ... ..	2
12	H1124	Restrictor rod assembly ... ..	2
13	H1061	Rod, restrictor ... ..	2
14	H1060	Washer, spring support ... ..	2
15	H1125	Tube, lower guide ... ..	2
16	H1127	Spring, main (identification YELLOW) ... ..	2
17	H1064	Cap nut assembly ... ..	2
18	H1051	Tube, upper guide ... ..	2
19	H1066	Pin, tube to nut ... ..	2
20	H1065	Nut, stanchion cap ... ..	2
21	H1261	Cover, top c/w headlamp bracket, L.H. ... ..	1
22	H1262	Cover, top c/w headlamp bracket, R.H. ... ..	1
23	H1281	Cover, top L.H. and R.H. (less brackets) ... ..	A
24	H962	Gaiter, telescopic ... ..	2
25	D340	Clip, gaiter ... ..	2
26	H660	"U" bolt, handlebar ... ..	2
27	S25-3	Washer, plain ... ..	4
28	E1310	Nut, "U" bolt ... ..	4

### WHEELS — GROUP 8

29	W1349	Wheel, front complete ... ..	1
20	W1350	Spindle, front wheel... ..	1
31	W1353	Plate, front brake anchor ... ..	1
32	W1351	Sleeve, front wheel spindle... ..	2
33	W1356	Wheel, rear complete ... ..	1
34	W984	Sprocket, 48 teeth ... ..	1

# MODEL T20S

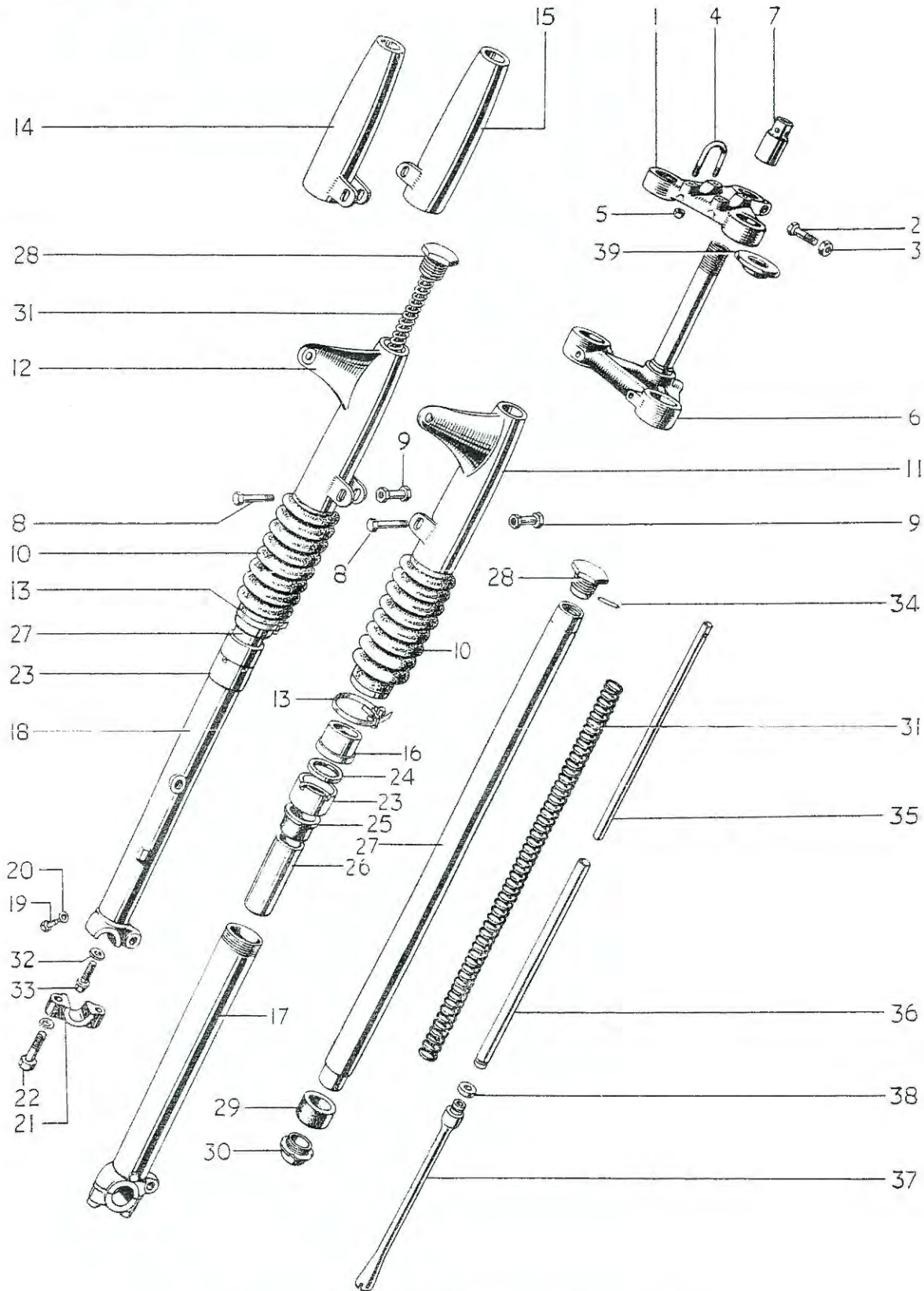


FIG. 16. TELESCOPIC FRONT FORK. T20S.

## INDEX TO FIG. 16

<i>Illust. No.</i>	<i>Part No.</i>	<i>Page No.</i>	<i>Ref. No.</i>
1	H1108	56	22
2	F1760	56	23
3	H379	56	24
4	H660	57	26
5	E1310	57	28
6	H1257	56	18
7	H1260	56	25
8	H941	56	19
9	H975	56	21
10	H962	57	24
11	H1261	57	21
12	H1262	57	22
13	D340	57	25
14	H1281	57	23
15	H1281	57	23
16	Not supplied separately.		
17	H1117	56	29
18	H1118	56	30
19	H1071	57	4
20	H430	57	5
21	H1053	57	1
22	H1070	57	3
23	H1194	57	10
24	H1168	57	11
25	H441	57	9
26	H1126	57	8
27	H1280	56	26
28	H1065	57	20
29	H443	56	27
30	H1058	56	28
31	H1127	57	16
32	H1062	57	7
33	H1063	57	6
34	H1066	57	19
35	H1051	57	18
36	H1125	57	15
37	H1061	57	13
38	H1060	57	14
39	Steering races	Page 27	

## MODEL T20S

REF. No. PART No. DESCRIPTION QUANTITY

### MUDGUARDS — GROUP 9

1	H1269	Mudguard, front	...	...	...	...	...	...	1
2	H1271	Stay, front	...	...	...	...	...	...	1
3	H1270	Bridge, mudguard support	...	...	...	...	...	...	1
4	H1273	Stay, lower	...	...	...	...	...	...	1
5	F2335	Bolt, bridge and stay to fork leg	...	...	...	...	...	...	2
6	S25-3	Washer, plain	...	...	...	...	...	...	2
7	F929	Bolt, lower stay to fork leg	...	...	...	...	...	...	2
8	S25-3	Washer, plain	...	...	...	...	...	...	2

### TOOLBOX AND AIR FILTER — GROUP 13

9	F4550	Air filter (retained by oil tank bolts)	...	...	...	...	...	...	1
10	F3858	Connection (rubber) carburetter to filter	...	...	...	...	...	...	1
11	F3859	Clip, connection	...	...	...	...	...	...	1

### PETROL AND OIL TANK — GROUP 15

12	F4572	Oil tank, less fittings	...	...	...	...	...	...	1
----	-------	-------------------------	-----	-----	-----	-----	-----	-----	---

### HANDLEBARS — GROUP 18

13	H1266	Handlebar bend only	...	...	...	...	...	...	1
14	18/935	Lever, assembly, front brake c/w adjuster	...	...	...	...	...	...	1

### CONTROL CABLES — GROUP 19

15	D429	Cable assembly, front brake	...	...	...	...	...	...	1
16	D368	Nipple, handlebar end	...	...	...	...	...	...	1
17	D420	Throttle cable	...	...	...	...	...	...	1
18	12/083	Ferrule, casing	...	...	...	...	...	...	3
19	D104	Adjuster, throttle cable	...	...	...	...	...	...	1
20	6/132A	Ferrule, at carburetter	...	...	...	...	...	...	1
21	NS.191	Nipple, at carburetter	...	...	...	...	...	...	1

### LUCAS ELECTRICAL EQUIPMENT — GROUP 22

22	54021002	Alternator assembly	...	...	...	...	...	...	1
23	45112A	Coil (Type 2 ET)	...	...	...	...	...	...	1
24	F3477	Distance tube, coil	...	...	...	...	...	...	2
25	T1401	Screw, coil fixing	...	...	...	...	...	...	2
26	E1612	Washer, shakeproof	...	...	...	...	...	...	2
27	F879	Nut	...	...	...	...	...	...	2
28	40664A	Distributor (Type 15D1)	...	...	...	...	...	...	1
29	58395A	Headlamp (Type M.C.H.66)	...	...	...	...	...	...	1
30	166 —	Bulb 6v 24/24 Watt, Prefocus	...	...	...	...	...	...	1

## MODEL T20S

REF. No.	PART No.	DESCRIPTION	QUANTITY
1	54094090	Wiring harness ... ..	2
2	76204	Horn push (type 4A) ... ..	1
3	76204	Cut-out button (type 4A) ... ..	1
4	53428	Tail lamp (type 529) ... ..	1
5	951	Bulb 6v 6W M.B.C. ... ..	1
6	70145	Horn (type H.F. 1950) ... ..	1
7	F4546	Bracket, horn (retained by coil fixing screw) ... ..	1
8	H688	Screw, horn to bracket ... ..	1
9	E2880	Washer, shakeproof ... ..	1
10	H691	Nut ... ..	1

### CARBURETTER — GROUP 23

11	376/217	Carburetter, $\frac{1}{8}$ in. choke less float chamber ... ..	1
12	376/031	Body, mixing chamber ... ..	1
13	376/055	Block, jet ... ..	1
14	376/067	Washer, jet block ... ..	1
15	376/070	Peg, jet block locating ... ..	1
16	376/155	Top, mixing chamber ... ..	1
17	376/065	Cap ring, mixing chamber ... ..	1
18	29/308	Spring, mixing chamber cap ... ..	1
19	4/241	Screw, cap spring ... ..	1
20	376/060	Valve, throttle (3 cutaway)... ..	1
21	376/061	Spring, throttle valve ... ..	1
22	376/063	Needle, throttle valve ... ..	1
23	4/230	Clip, needle ... ..	1
24	376/072	Jet, needle (.106) ... ..	1
25	376/100	Jet main (140) ... ..	1
26	376/140	Holder, main jet ... ..	1
27	376/074	Washer, jet holder ... ..	2
28	376/075	Nut, main jet cover ... ..	1
29	376/076	Jet pilot (20) ... ..	1
30	376/095	Nut, pilot jet cover ... ..	1
31	116/162	Washer, cover nut ... ..	1
32	332/017	Screw, air adjusting ... ..	1

## MODEL T20S

REF. No.	PART No.	DESCRIPTION	QUANTITY
1	4/148	Spring, air adjusting screw ... ..	1
2	376/068	Screw, throttle stop ... ..	1
3	376/069	Spring, stop screw ... ..	1
4	376/077	Cover, side ... ..	1
5	376/078	Washer, cover joint ... ..	1
6	376/151	Screw, cover fixing ... ..	3
7	376/141	Banjo, petrol inlet ... ..	1
8	14/620	Float chamber complete ... ..	1
9	14/363	Body, float chamber ... ..	1
10	14/034	Cover, float chamber ... ..	1
11	14/366	Needle, float ... ..	1
12	14/017	Float ... ..	1
13	161/054	Clip, float needle ... ..	1
14	14/209	Tickler ... ..	1
15	14/210	Stop, tickler ... ..	1
16	14/289	Cotter, tickler ... ..	1
17	14/032	Spring, tickler ... ..	1
18	14/219	Union, outlet... ..	1
19	14/336	Washer, fibre ... ..	1
20	14/035	Banjo, petrol inlet ... ..	1
21	14/037	Washer, fibre ... ..	2
22	14/369	Nut, banjo ... ..	1
23	E3989	Rod, mounting (14/370) ... ..	1
24	H745	Nut, mounting rod (81/027) ... ..	3
25	E3987	Flexible mounting ... ..	1
26	E4054	Screw, mounting to frame ... ..	2
27	E4053	Washer, spring ... ..	2
28	T1017	Nut ... ..	2

### CARBURETTER FITTINGS

29	E4051	Joint washer, adaptor to head ... ..	1
30	E1987	Stud, adaptor to head ... ..	2
31	E3986	Adaptor, carburetter to head ... ..	1
32	S25-3	Washer, plain ... ..	

**MODEL T20S**

REF. No.	PART No.	DESCRIPTION	QUANTITY
1	W103	Nut, adaptor stud ... ..	2
2	244/1048	"O" ring, carburetter to adaptor ... ..	1
3	E4052	Bolt, carburetter to adaptor ... ..	2
4	S25-3	Washer, plain ... ..	2
5	F4542	Pipe, float chamber to carburetter ... ..	1
6	E4035	Clip, pipe to union ... ..	2
7	F4553	Pipe assembly, tank to float chamber ... ..	1
8	F4554	Pipe, flexible ... ..	1
9	F3353	Elbow, obtuse ... ..	1
10	F3335	Elbow 90° ... ..	1
11	F3337	Nut union ... ..	1
12	E4035	Clip, pipe to union ... ..	2

**SPEEDOMETER — GROUP 24**

13	H1264	Bracket speedometer (retained by handlebar bolts) ...	1
14	SC.1102;11	Speedometer 80 m.p.h. ... ..	1
15	SC.1102;12	Speedometer 140 k.p.h. ... ..	A

**CHAINS — GROUP 27**

16	D430	Chain, rear 11004 $\frac{1}{2}$ in. $\times$ $\frac{3}{16}$ in. $\times$ 113 links ... ..	1
----	------	---	---

# GUARANTEE

WE give the following guarantee with our motorcycles, motorcycle combinations and sidecars, including all accessories and component parts other than tyres, saddles, chains and lighting and electrical equipment, and other than accessories and component parts supplied to the order of the Purchaser and differing from those comprised in the standard specifications supplied with our motorcycles, motorcycle combinations and sidecars, but including accessories and parts supplied by way of exchange as hereinafter provided. This guarantee is given in place of any implied conditions or warranties or any liabilities whatsoever statutory or otherwise; no guarantee except that hereinafter contained and no conditions or warranty whatsoever statutory or otherwise is given or is to be implied, nor are we to be under any liability whatsoever except under the guarantee hereinafter contained. Any statement, description, condition or representation contained in any catalogue, advertisement, leaflet or other publication shall not be construed as enlarging, varying or overriding anything herein contained. In the case of machines (a) which have been used for "hiring out" purposes or (b) any motorcycle and/or sidecar used for any dirt track, cinder track or grass track racing or competitions (or any competition of any kind within an enclosure for which a charge is made for admission to take part in or view the competition) or (c) machines from which the trade mark, name or manufacturing number has been altered or removed or (d) any machines in which parts have been used not supplied by or approved by the motorcycle manufacturer or (e) any machine from which the silencing system as fitted by the manufacturer has been partially or wholly removed or interfered with, no guarantee, condition or warranty of any kind statutory or otherwise, is given or is to be implied, nor are we to be under any liability whatsoever in respect of any such machine. We guarantee, subject to the conditions mentioned below, that all precautions which are usual and reasonable have been taken by us to secure excellence of materials and workmanship but this guarantee is to extend and be in force for six months only in U.K. and ninety days overseas from date of purchase, or date of exchange in case of any accessory or part supplied by way of exchange as hereinafter provided, and damages for which we make ourselves responsible under this guarantee are limited to the free repair or supply of a new part or accessory in exchange for the part of the motorcycle, motorcycle combination or sidecar or accessory which may have proved defective. We undertake, subject to the conditions mentioned below, to make good in manner aforesaid any part or accessory covered by this guarantee which has proved defective within the said period. We do not undertake to replace or refix or bear the cost of replacing or refixing any such new part or accessory in the motorcycle, motorcycle combination or sidecar. As motorcycles, motorcycle combinations and sidecars are easily liable to derangement by neglect or misuse, this guarantee does not apply to defects caused by wear and tear, misuse or neglect. The term "misuse" shall include, amongst others, the following acts: 1. The attaching of a sidecar to a motorcycle in such a manner as to cause damage or calculated to render the latter unsafe when ridden. 2. The use of a motorcycle or of a motorcycle and sidecar combined, when carrying more persons or a greater weight than that for which the machine was designed by the manufacturers. 3. The attaching of a sidecar to a motorcycle by any form of attachment not provided, supplied or approved by the manufacturers, or to a motorcycle which is not designed for such use. We do not guarantee tyres, saddles, chains or lighting and electrical equipment, or any accessories or component parts supplied to the order of the Purchaser differing from those comprised in the standard specifications supplied with our motorcycle combinations or sidecars. As regards all such tyres, saddles, chains, lighting and electrical equipment, accessories and component parts, no guarantee, condition or warranty of any kind statutory or otherwise is given or is to be implied, and we are to be under no liability whatsoever in respect thereof.



## CONDITIONS OF GUARANTEE

If a defective part or accessory should be found in our motorcycles, motorcycle combinations or sidecars, or in any part or accessory supplied by way of exchange as before provided, it must be sent to us CARRIAGE PAID and accompanied by an intimation from the owner that he desires to have it repaired or exchanged free of charge under our guarantee, and he must also furnish us at the same time with the frame number of the machine, the date of purchase or the date when the alleged defective part or accessory was exchanged as the case may be. Failing compliance with the above, such articles will lie here at THE RISK OF THE OWNER, and this guarantee and any implied guarantee, warranty or condition shall not be enforceable.

## REPAIRS

Any motorcycle, motorcycle combination or sidecar sent to us to be plated, enamelled or repaired will be repaired upon the following conditions, *i.e.*, we guarantee that all precautions which are usual and reasonable have been taken by us to secure excellence of materials and workmanship, such guarantee to extend and be in force for three months only from the time such work shall have been executed, and this guarantee is in lieu and in exclusion of all conditions and warranties statutory or otherwise, and all liabilities whatsoever and the damages recoverable are limited to the cost of any further work which may be necessary to amend and make good the work found to be defective.

## NOTE

We do not appoint agents for the sale on our behalf of our motorcycles or other goods, but we assign to motorcycle Dealers areas in which we supply to such Dealers exclusively for re-sale in such areas. No such Dealer is authorised to transact any business, give any warranty, make any representation or incur any liability on our behalf. Published retail prices are for delivery free of charge at Dealers' premises. All goods are offered for sale subject to the price ruling at time of delivery. We reserve the right to modify or deviate from the published specification.

## TRIUMPH SERVICE

There are Triumph distributors and dealers in all parts of the world who carry adequate stocks of Triumph parts and who are ready at all times to help and advise owners of Triumph motorcycles.

# INDEX

	Page No.
<b>Group 1—CARTON PACKS</b> ... ..	5
<b>Group 2—ENGINE</b> ... ..	6
Crankcase... ..	8
Crankcase bearings (engine) ... ..	8
Crankcase filter ... ..	9
Cylinder barrel ... ..	6
Cylinder head ... ..	6
Engine sprocket ... ..	9
Flywheels and connecting rod ... ..	7
Gasket set ... ..	12
Inner cover, left side ... ..	9
Inner cover, right side ... ..	12
Oil pumps ... ..	8
Overhead rocker and covers ... ..	6
Outer cover, left side ... ..	9
Outer cover, right side ... ..	12
Piston ... ..	6
Push rods and cover ... ..	7
Rocker oil pipe ... ..	7
Tappets ... ..	7
Timing gears and camshaft ... ..	8
Valves, guides and springs ... ..	7
<b>Group 3—GEARBOX AND CLUTCH</b> ... ..	13
Camplate ... ..	13
Clutch ... ..	15
Clutch control ... ..	16
Filler, level and drain plugs ... ..	15
Gearbox casing bearings ... ..	14
Gearbox sprocket ... ..	15
Gearbox change mechanism ... ..	13
Kickstarter ... ..	15
Selector forks and spindle ... ..	13
Shafts and gears ... ..	13
<b>Group 4—EXHAUST SYSTEM</b> ... ..	18
<b>Group 5—FRAME</b> ... ..	18

	<i>Page No.</i>
Crankcase shield... ..	19
Pillion footrest brackets ... ..	19
Swinging fork ... ..	19
<b>Group 6—STAND</b> ... ..	<b>19</b>
<b>Group 7—TELESCOPIC FRONT FORK</b> ... ..	<b>26</b>
Steering races ... ..	27
<b>Group 8—WHEELS</b> ... ..	<b>29</b>
Front wheel ... ..	29
Front wheel brake ... ..	29
Rear wheel ... ..	31
Rear wheel brake ... ..	32
Rear wheel chain adjuster ... ..	32
<b>Group 9—MUDGUARDS</b> ... ..	<b>33</b>
Front mudguard ... ..	33
Licence holder ... ..	33
Rear mudguard ... ..	33
<b>Group 10—REAR PANELS</b> ... ..	<b>35</b>
<b>Group 11—NUMBER PLATES</b> ... ..	<b>37</b>
<b>Group 12—REAR CHAINGUARD</b> ... ..	<b>38</b>
<b>Group 13—TOOLBOX, BATTERY, CARRIER AND AIR CLEANER</b> ... ..	<b>38</b>
<b>Group 14—TOOLS</b> ... ..	<b>39</b>
<b>Group 15—PETROL AND OIL TANKS</b> ... ..	<b>41</b>
<b>Group 16—FOOTRESTS</b> ... ..	<b>43</b>
<b>Group 17—REAR BRAKE PEDAL</b> ... ..	<b>44</b>
<b>Group 18—HANDLEBAR</b> ... ..	<b>44</b>
Control levers ... ..	44
Twistgrip ... ..	46

<b>Group 19—CONTROL CABLES</b>	...	...	...	...	...	...	...	...	...	46
Clutch cable	...	...	...	...	...	...	...	...	...	47
Front brake cable	...	...	...	...	...	...	...	...	...	46
Throttle cable	...	...	...	...	...	...	...	...	...	47

<b>Group 20—HANDLEBAR (U.S.A.)...</b>	...	...	...	...	...	...	...	...	...	47
---------------------------------------	-----	-----	-----	-----	-----	-----	-----	-----	-----	----

<b>Group 21—NACELLE GEAR INDICATOR</b>	...	...	...	...	...	...	...	...	...	48
--	-----	-----	-----	-----	-----	-----	-----	-----	-----	----

### PROPRIETARY FITTINGS

<b>Group 22—LUCAS ELECTRICAL EQUIPMENT</b>	...	...	...	...	...	...	...	...	...	50
Alternator	...	...	...	...	...	...	...	...	...	50
Battery	...	...	...	...	...	...	...	...	...	50
Dipper switch	...	...	...	...	...	...	...	...	...	51
Distributor	...	...	...	...	...	...	...	...	...	50
Headlamp	...	...	...	...	...	...	...	...	...	51
Horn	...	...	...	...	...	...	...	...	...	51
Ignition Coil	...	...	...	...	...	...	...	...	...	50
Lighting and ignition switch	...	...	...	...	...	...	...	...	...	51
Rectifier	...	...	...	...	...	...	...	...	...	50
Tail lamp	...	...	...	...	...	...	...	...	...	51
Wiring harness	...	...	...	...	...	...	...	...	...	51

<b>Group 23—ZENITH CARBURETTER</b>	...	...	...	...	...	...	...	...	...	53
------------------------------------	-----	-----	-----	-----	-----	-----	-----	-----	-----	----

<b>Group 24—SPEEDOMETER</b>	...	...	...	...	...	...	...	...	...	54
-----------------------------	-----	-----	-----	-----	-----	-----	-----	-----	-----	----

<b>Group 25—SPARKING PLUG</b>	...	...	...	...	...	...	...	...	...	54
-------------------------------	-----	-----	-----	-----	-----	-----	-----	-----	-----	----

<b>Group 26—TWINSEAT</b>	...	...	...	...	...	...	...	...	...	55
--------------------------	-----	-----	-----	-----	-----	-----	-----	-----	-----	----

<b>Group 27—CHAINS</b>	...	...	...	...	...	...	...	...	...	55
------------------------	-----	-----	-----	-----	-----	-----	-----	-----	-----	----

<b>Group 28—GIRLING SUSPENSION UNITS</b>	...	...	...	...	...	...	...	...	...	55
--	-----	-----	-----	-----	-----	-----	-----	-----	-----	----

<b>Supplement for T20S</b>	...	...	...	...	...	...	...	...	...	56
----------------------------	-----	-----	-----	-----	-----	-----	-----	-----	-----	----

# INDEX TO ILLUSTRATIONS

		Page No.
Fig. 1.	Engine and gearbox unit ... ..	10
„ 2.	Mainshaft and layshaft gears ... ..	14
„ 3.	Clutch and shock absorber unit... ..	17
„ 4.	Frame and components ... ..	20
„ 5.	Telescopic front fork ... ..	22
„ 6.	Telescopic front fork T20C ... ..	24
„ 7.	Front wheel ... ..	28
„ 8.	Rear wheel... ..	30
„ 9.	Mudguard, number plates and rear chainguard ... ..	34
„ 10.	Rear panels ... ..	36
„ 11.	Toolbox, battery carrier and air cleaner ... ..	39
„ 12.	Tools ... ..	40
„ 13.	Petrol and oil tanks ... ..	42
„ 14.	Handlebar and components ... ..	45
„ 15.	Zenith carburetter ... ..	52
„ 16.	Telescopic front fork T20S ... ..	58

To assist the owner and dealer in identifying requirements, this book contains numerous exploded views of the major assemblies. Each component part on the illustration is numbered, and by cross reference to the appropriate index, the part number of the component will be found. Against each part number a page and reference number is shown and by referring to the appropriate page, the full description of the part will be found against the reference number.

## EXAMPLE.

To find the part number of the cylinder head gasket :

1. Refer to the illustration index above, where it will be found that the engine is illustrated on page 10.
2. Note that the number of the gasket in the illustration is 10.
3. Refer to the index on page 11.
4. Note that illustration number 9 is part number E3217 listed on page 6, line 11.

*Tournez s'il vous plait.  
Véase al darsa.  
Bitte wenden.*