

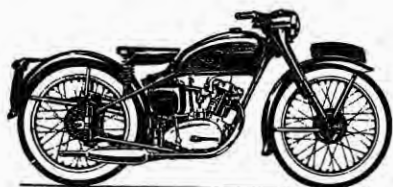
REPLACEMENT PARTS

for the

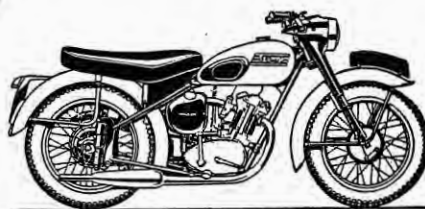
TRIUMPH
Ferrier

TRIUMPH
TIGER CUB

AND



150 cc O.H.V.



200 cc O.H.V.

From Engine No. 17389

TRIUMPH

THE BEST MOTOR CYCLE IN THE WORLD

Triumph Engineering Co. Ltd., Meriden Works, Allesley, Coventry
Tel. Meriden 331 Ref. 378/57 Published June 1956

PREFACE

BEFORE ordering parts for your machine, please read very carefully the instructions contained in the next paragraph. In many cases the information given in the order is insufficient to enable us to identify the customers' requirements with certainty. Delay is frequently occasioned by our having to refer the order back for further particulars before we can supply.

HOW TO ORDER. Every part is indicated by a number and this should be quoted together with the description. In order to assist customers, parts where possible have been listed in order of assembly and exploded illustrations show the assembly order also. By each illustration, is an index quoting the part numbers of the various items and a cross reference to enable the customer to recognise the part by description (See page 58 for further details). With these aids there should be no difficulty in identifying the parts you require. Always quote the engine number and prefix letter stamped on the front engine fixing lug. Always use a separate sheet of writing paper for your order if you are sending a letter as well.

SPECIMEN ORDER

2/6/56

To Triumph Engineering Co. Ltd.,
Spares Department,
Meriden Works,
Allesley,
Coventry.

Engine No. T.15-18462

Please supply :—

1 — GST15/55 — Gasket Set
1 — E3146 — Valve, Inlet

* Send C.O.D.

Wm. Smith,
1a, Ewell Avenue,
Ewell, Surrey.

* For terms of business see page 3

TELEGRAPHIC ORDERS. Orders by telegram should be addressed to "Trusty 60221 Coventry." They are then telephoned to us, which prevents delay in delivery. It is only necessary to quote part numbers in telegraphic orders, the description can be omitted.

PATTERNS AND PARTS FOR REPAIR. It is not necessary to send patterns if the part number is quoted. The sending of patterns often delays the order as parcel post or rail takes longer than letter post.

Parts sent to Coventry for repair, replacement or as patterns, should bear the sender's name and address and clear instructions should accompany the parts. All parts must be forwarded carriage paid and care should be taken to ensure that all remittances are sent separately and not enclosed with the parts. Fragile units such as cylinders, etc., should always be boxed to avoid damage in transit. Complete machines should have all fittings such as horns, driving mirrors, tools, etc., removed by the sender before despatch, as it is impossible for us to accept responsibility in the event of loss in transit. We are always pleased to give estimates for overhauls and repairs, but should an estimate not be accepted, a charge will be made covering cost of dismantling and re-assembling, if carried out.

Communications relating to parts should be addressed to the SPARES MANAGER and for repairs, guarantee claims and technical advice to the SERVICE MANAGER.

In order to facilitate quick reference, the quoting of any order number, invoice number or reference from previous communications is of essential importance. **Accessories not of our manufacture should be sent direct to the actual makers, whose names and addresses appear on page 46.**

WHERE TO OBTAIN. Triumph Replacement Parts may be obtained from any Triumph Dealer, and we recommend our customers to place their orders with the Triumph Dealer in their district, as we do not normally supply direct. When parts not usually asked for are required, and for which the Dealer may have to wire or obtain specially, the postage or carriage incurred becomes payable.

We are not able to supply Transfers as originally affixed to Triumph Motor Cycles, but we are at all times willing to supply a Transfer denoting that the machine is of genuine Triumph manufacture, providing the Frame and Engine prefix letters and numbers are quoted.

Customers are warned against the risk incurred by purchasing parts which are not of genuine Triumph manufacture. The risk is eliminated if parts are ordered as instructed, either from our recognised Dealers, or direct from the Spares Department, Meriden Works, Allesley, Coventry.

TERMS OF BUSINESS

THE most convenient method of paying for spare parts is by the C.O.D. system. By this method you pay the postman for the goods when he delivers them to you. As the minimum C.O.D. collection fee is 10d., only goods to the value of 2/- or over can be sent by this system. We do not despatch goods by rail C.O.D.

Where goods are not sent C.O.D., cash must accompany the order. All remittances should be made payable to the Triumph Engineering Co., Ltd., and crossed "Barclay's Bank Ltd.", if in the form of Postal Order or Cheque. Letters containing currency notes must be registered.

Should a remittance be forwarded by telegraphic money order, the name and address of the sender must be inserted in the space provided on the Post Office requisition form for a private message from remitter to payee. Unless this is complied with the Post Office omit such information from the telegram and we are not then in a position to trace the sender.

Postage, carriage and packing is charged at 2½% on the value of the goods, minimum charge 6d. Packing boxes, cases, crates, etc., are charged for at cost and are returnable.

TRIUMPH *Ferrier*



TRIUMPH TIGER CUB



CARTON PACK — GROUP I

The following sub-assemblies are supplied in carton packs under the C.P. part number stated. The contents of these carton packs are preserved and will not deteriorate under adverse conditions.

<i>Part No.</i>	<i>Description and Contents</i>							
Big End Assembly								
CP.148	...	1	E.3341	Connecting rod c/w bushes
			1	...	E.3414	Crankpin c/w plug
CP.149	...	1	E.3343	Bush, big end
<i>Export only</i>	...	1	E.1762	Bush, small end
			1	...	E.3414	Crankpin c/w plug
CP.155	...	1	E.3624	Connecting rod c/w bushes
			1	...	E.3600	Crankpin c/w plug
Brake linings								
CP.128	...	2	W.978	Linings
			14	...	W.979	Rivets
Piston Assembly								
CP.120	...	1	E.3148	Piston body
			2	...	E.3153	Ring, compression
			1	...	E.3154	Ring, scraper
			1	...	E.1750	Pin, gudgeon
			2	...	E.1767	Circlip
CP.120/20	...	1	E.3148/20	Piston body + .020"
			2	...	E.3153/20	Ring, compression + .020"
			1	...	E.3154/20	Ring, scraper + .020"
			1	...	E.1750	Pin, gudgeon
			2	...	E.1767	Circlip
CP.120/40	...	1	E.3148/40	Piston body + .040"
			2	...	E.3153/40	Ring, compression + .040"
			1	...	E.3154/40	Ring, scraper + .040"
			1	...	E.1750	Pin, gudgeon
			2	...	E.1767	Circlip
CP.141	...	1	E.3358	Piston body
			1	...	E.3380	Ring, chrome compression
			1	...	E.656	Ring, compression
			1	...	E.3387	Ring, scraper
			1	...	E.1750	Pin, gudgeon
			2	...	E.1767	Circlip, gudgeon pin

GROUP 1 — CARTON PACK

Part No.

Description and Contents

Part No.	Description and Contents
CP.141/20	1 ... E3358/20 ... Piston body + .020"
	1 ... E3380/20 ... Ring, chrome compression
	1 ... E656/20 ... Ring, compression + .020"
	1 ... E3387/20 ... Ring, scraper + .020"
	1 ... E1750 ... Pin, gudgeon
	2 ... E1767 ... Circlip, gudgeon pin
CP.141/40	1 ... E3358/40 ... Piston body + .040"
	1 ... E3380/40 ... Ring, chrome compression
	1 ... E656/40 ... Ring, compression + .040"
	1 ... E3387/40 ... Ring, scraper + .040"
	1 ... E1750 ... Pin, gudgeon
	2 ... E1767 ... Circlip, gudgeon pin
Piston Rings	
CP.121	2 ... E3153 ... Ring, compression
	1 ... E3154 ... Ring, scraper
CP.121/20	2 ... E3153/20 ... Ring, compression + .020"
	1 ... E3154/20 ... Ring, scraper + .020"
CP.121/40	2 ... E3153/40 ... Ring, compression + .040"
	1 ... E3154/40 ... Ring, scraper + .040"
CP.150	1 ... E3380 ... Ring, chrome compression
	1 ... E656 ... Ring, compression
	1 ... E3387 ... Ring, scraper
CP.150/20	1 ... E3380/20 ... Ring, chrome compression
	1 ... E656/20 ... Ring, compression
	1 ... E3387/20 ... Ring, scraper
CP.150/40	1 ... E3380/40 ... Ring, chrome compression
	1 ... E656/40 ... Ring, compression
	1 ... E3387/40 ... Ring, scraper
Rear Suspension Spring Set	
CP.130	2 ... F3425 ... Spring, main
	2 ... F3426 ... Spring, rebound
Steering Races	
CP.129	2 ... H835 ... Cup, steering race
	2 ... H833 ... Cone, steering race
	30 ... S70-3 ... Ball, steering race
Valves	
CP.124	1 ... E3146 ... Valve, inlet
	1 ... E3147 ... Valve, exhaust
Valve Guides	
CP.122	2 ... E3208 ... Valve guide, inlet and exhaust
	2 ... E3209 ... Circlip
Valve Springs	
CP.123	2 ... E3214 ... Spring, valve inner
	2 ... E3215 ... Spring, valve outer

For Indexes see Pages 55 to 58

REPLACEMENT PARTS

REF. No.	PART No.	DESCRIPTION	QUANTITY
----------	----------	-------------	----------

ENGINE — GROUP 2

Illustrated on Page 10—Fig. 1

CYLINDER BARREL

			T15	T20
1	E3142	Barrel, cylinder	1	—
2	E3385	Barrel, cylinder	—	1
3	E3216	Washer, cylinder base	1	—
4	E3368	Washer, cylinder base	—	1
5	E3386	Dowel, cylinder barrel to head	—	2

PISTON

6	CPI20†	Piston c/w rings, gudgeon pin, etc.	1	—
7	CPI41†	Piston c/w rings, gudgeon pin, etc.	—	1
8	E3153	Ring, compression	2	—
9	E3380	Ring, chrome compression	—	1
10	E656	Ring, compression	—	1
11	E3153/20	Ring, compression	2	—
12	E3380/20	Ring, chrome compression	—	1
13	E656/20	Ring, compression	—	1
14	E3153/40	Ring, compression	2	—
15	E3380/40	Ring, chrome compression	—	1
16	E656/40	Ring, compression	—	1
17	E3154	Ring, scraper	1	—
18	E3387	Ring, scraper	—	1
19	E3154/20	Ring, scraper	1	—
20	E3387/20	Ring, scraper	—	1
21	E3154/40	Ring, scraper	1	—
22	E3387/40	Ring, scraper	—	1
23	E1750	Pin, gudgeon	1	1
24	E1767	Circlip, gudgeon pin	2	2

† For Contents and Oversizes see page 5.

CYLINDER HEAD

25	E3143	Head, cylinder c/w guides and adaptor	1	1
26	E3217	Gasket, cylinder head	1	1
27	E3207	Adaptor, cylinder head exhaust	1	1
28	E3210	Stud, rocker inspection cover	2	2
29	E1987	Stud, cylinder head to carburetter	2	2
30	E3230	Nut, cylinder head to barrel	4	4
31	E34446	Washer, cylinder head to barrel	4	4

VALVES, GUIDES, SPRINGS, ETC.

T15 T20

REF. No.	PART No.	DESCRIPTION	T15	T20
1	E3146	Valve, inlet	1	1
2	E3147	Valve, exhaust	1	1
3	E3208	Guide, inlet and exhaust	2	2
4	E3209	Circlip, inlet and exhaust guide	2	2
5	E3214	Spring, valve inner	2	2
6	E3215	Spring, valve outer	2	2
7	E3301	Collar, valve spring top	2	2
8	E3213	Cup, valve spring bottom	2	2
9	WE259A	Cotter, valve split	4	4

OVERHEAD ROCKERS, COVERS, ETC.

10	E3251	Rocker, inlet assembly	1	1
11	E3252	Rocker, exhaust assembly	1	1
12	E3222	Ball pin, rocker	2	2
13	E3223	Adjuster, rocker	2	2
14	GS662	Locknut, rocker adjuster pin	2	2
15	E3225	Spindle, rocker inlet and exhaust	2	2
16	E3253	Sealing ring, rocker spindle	2	2
17	E2534	Thrust washer, rocker spindle D.S.— $\frac{7}{16}$ "	4	4
18	E2594	Thrust washer, rocker spindle T.S.— $\frac{3}{8}$ "	2	2
19	E3224	Thackeray washer, rocker spindle (spring)	2	2
20	E3227	Cover, rocker inlet inspection	1	1
21	E3228	Cover, rocker exhaust inspection	1	1
22	E3226	Washer, rocker cover joint	2	2
23	E3290	Nut, rocker cover to head	2	2
24	E2441	Washer, rocker cover to head nut	2	2

PUSH RODS AND COVER

25	E3235	Rod, push	2	-
26	E3372	Rod, push	-	2
27	E3536	Cover, push rod	1	-
28	E3537	Cover, push rod	-	1
29	E3172	Peg, cover to crankcase locating	1	1
30	E3540	Washer, push rod cover joint (upper)	1	1
31	E3391	Washer, push rod cover joint (lower)	1	1

TAPPETS

32	E3285	Tappet	2	2
----	-------	---------------	---	---

ROCKER OIL PIPE AND FITTINGS

33	E3244	Pipe, rocker oil	1	1
34	H400	Nut, rocker oil pipe to spindle	2	2

REF. No.	PART No.	DESCRIPTION	QUANTITY	T15	T20
1	E1335	Washer, rocker oil pipe inner joint	2	2	
2	E3249	Washer, rocker oil pipe outer joint	2	2	
3	E3383	Connection, oil tank to oil pipe (Rubber)	1	1	

FLYWHEEL AND CONNECTING ROD

4	E3639	Flywheel and connecting rod assembly	1	-	
5	E3653	Flywheel and connecting rod assembly	-	1	
6	E3336	Flywheel c/w mainshaft L.H.	1	-	
7	E3596	Flywheel c/w mainshaft L.H.	-	1	
8	E3419	Flywheel c/w plugs R.H.	1	-	
9	E3598	Flywheel c/w plugs R.H.	-	1	
10	E3420	Plug, T.S. Flywheel	2	2	
11	E3624	Rod, connecting (complete)	1	1	
12	E3623	Bush, big end	1	1	
13	E1762	Bush, small end	1	1	
14	E3414	Crankpin c/w plugs	1	-	
15	E3600	Crankpin c/w plugs	-	1	
16	E3292	Plug, crankpin	2	2	

SPECIAL NOTE. If parts are required separately for Tiger Cub from Engine number 17389 up to 18596, order as follows :

17	E3566	Flywheel c/w mainshaft L.H.	-	1	
18	E3569	Flywheel c/w plugs R.H.	-	1	
19	E3414	Crankpin c/w plugs	-	1	

CRANKCASE

20	E3558	Crankcase assembly c/w bushes	1	-	
21	E3563	Crankcase assembly c/w bushes	-	1	
22	E3170	Stud, crankcase to cylinder head	4	-	
23	E3365	Stud, crankcase to cylinder head	-	4	
24	E3171	Stud, crankcase to oil pipe junction block	1	1	
25	T989	Dowel, crankcase to R.H. inner cover	2	2	
26	E3169	Dowel, crankcase to oil junction block	1	1	
27	E3560	Pipe, crankcase oil return	1	1	
28	T1076	Screw, crankcase oil return pipe	1	1	
29	E2615	Plug, crankcase oil gauge test hole	1	1	
30	E1335	Washer, crankcase plug	1	1	

CRANKCASE BEARINGS (ENGINE)

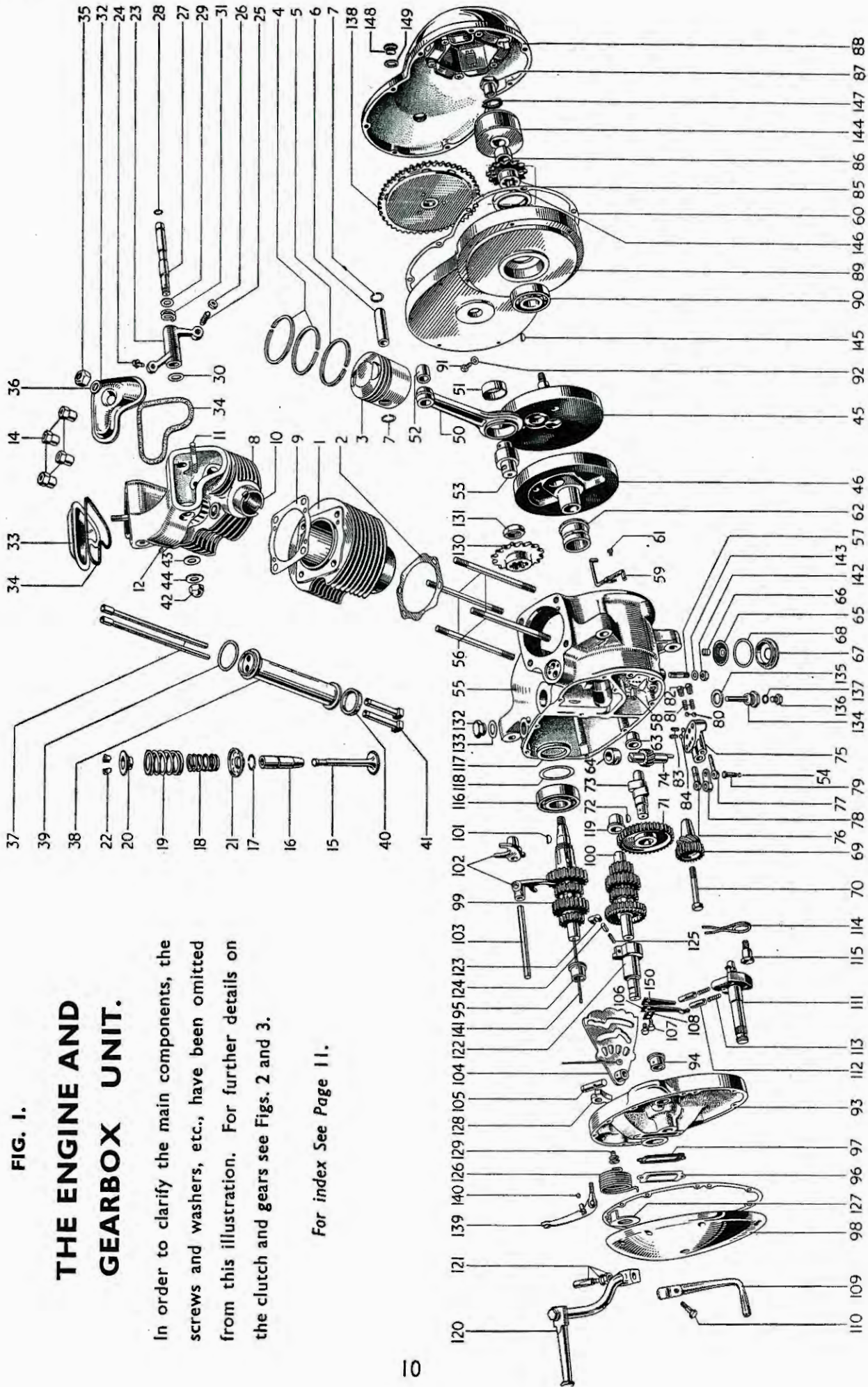
31	E3173	Bearing, R.H. (Plain)	1	1	
32	E3172	Peg, R.H. bearing	1	1	
33	E3175	Bush, camshaft	1	1	
34	E3518	Bush, distributor and oil pump shaft	1	1	

FIG. 1.

THE ENGINE AND GEARBOX UNIT.

In order to clarify the main components, the screws and washers, etc., have been omitted from this illustration. For further details on the clutch and gears see Figs. 2 and 3.

For index See Page 11.



Illust. No.	Part No.	Page No.	Ref. No.	Illust. No.	Part No.	Page No.	Ref. No.	Illust. No.	Part No.	Page No.	Ref. No.	
1	E3142	7	1	97	T1148	13	17	97	T1148	13	17	
2	E3385	7	2	98	E3151	13	24	98	E3151	13	24	
3	E3216	7	3	99	See Fig. 2, Page 15.			99				
4	E3368	7	4	100					100			
5	CP.120	7	6	101		T1119	16	28	101	T1119	16	28
6	CP141	7	7	102		T1098	14	11	102	T1098	14	11
7	E3153	7	8	103		T1102	14	12	103	T1102	14	12
8	E3380	7	9	104		T1066	14	13	104	T1066	14	13
9	E656	7	10	105		T1069	14	14	105	T1069	14	14
10	E3154	7	17	106		T1248	14	16	106	T1248	14	16
11	E3387	7	18	107		T1076	14	18	107	T1076	14	18
12	E1750	7	23	108		T1180	14	19	108	T1180	14	19
13	E1757	7	24	109	T1164	14	20	109	T1164	14	20	
14	E3143	7	25	110	F1369	14	21	110	F1369	14	21	
15	E3217	7	26	111	T1259	14	22	111	T1259	14	22	
16	E3207	7	27	112	T1184	14	24	112	T1184	14	24	
17	E3210	7	28	113	T1278	14	25	113	T1278	14	25	
18	E1987	7	29	114	T1109	14	27	114	T1109	14	27	
19	E3230	7	30	115	T1077	14	28	115	T1077	14	28	
20	E3146 In.	8	1	116	T1070	15	1	116	T1070	15	1	
21	E3147 Ex.	8	2	117	T1071	15	2	117	T1071	15	2	
22	E3208	8	3	118	T1072	15	3	118	T1072	15	3	
23	E3209	8	4	119	T1073	15	4	119	T1073	15	4	
24	E3214	8	5	120	T1165	16	1	120	T1165	16	1	
25	E3115	8	6	121	S52-1	16	7	121	S52-1	16	7	
26	E3301	8	7	122	T1279	16	8	122	T1279	16	8	
27	E3213	8	8	123	T1281	16	10	123	T1281	16	10	
28	WE259A	8	9	124	T1282	16	11	124	T1282	16	11	
29	E3251 In.	8	10	125	T1161	16	12	125	T1161	16	12	
30	E3252 Ex.	8	11	126	T1162	16	14	126	T1162	16	14	
31	E3222	8	12	127	T1163	16	15	127	T1163	16	15	
32	E3223	8	13	128	T1157	16	16	128	T1157	16	16	
33	GS662	8	14	129	T1158	16	17	129	T1158	16	17	
34	E3225	8	15	130	T1081	16	18	130	T1081	16	18	
35	E3225	8	16	131	T1082	16	19	131	T1082	16	19	
36	E3253	8	17	132	T1110	16	20	132	T1110	16	20	
37	E2534	8	18	133	E697	16	21	133	E697	16	21	
38	E2594	8	19	134	T1112	16	22	134	T1112	16	22	
39	E3224	8	21	135	T1257	16	23	135	T1257	16	23	
40	E3228	8	20	136	T361	16	24	136	T361	16	24	
41	E3227	8	22	137	WE170	16	25	137	WE170	16	25	
42	E3226	8	23	138	T1365	16	26	138	T1365	16	26	
43	E3290	8	24	139	T1341	16	27	139	T1341	16	27	
44	E2441	8	24	140	T1233	18	17	140	T1233	18	17	
45	E3235	8	25	141	T1124	18	21	141	T1124	18	21	
38	E3372	8	26	142	T1140	18	24	142	T1140	18	24	
39	E3536	8	27	143	F879	39	10	143	F879	39	10	
40	E3537	8	28	144	S25-13	39	11	144	S25-13	39	11	
41	E3540	8	30	145	465904	47	7	145	465904	47	7	
42	E3391	8	31	146	E1580	47	7	146	E1580	47	7	
43	E3285	8	32	147	E3379	47	12	147	E3379	47	12	
44	H400	8	34	148	465910	47	30	148	465910	47	30	
45	E1335	9	1	149	E732	12	9	149	E732	12	9	
46	E3249	9	2	150	E321	13	13	150	E321	13	13	
47	E3336	9	6		NE507	13	11		NE507	13	11	
48	E3566	9	17		T1249	14	17		T1249	14	17	

GROUP 2 — ENGINE

REF. No.	PART No.	DESCRIPTION	QUANTITY	
			T15	T20
TIMING GEARS AND CAMSHAFT				
1	E3178	Pinion, timing and distributor drive	1	1
2	E3421	Bolt, timing and distributor pinion	1	1
3	E3185	Pinion, camshaft (50T)	1	1
4	E3184	Key, camshaft pinion	1	1
5	E3183	Camshaft, inlet and exhaust	1	1
6	E3186	Pinion and shaft, distributor and oil pump drive	1	1
OIL PUMP				
7	E3393	Oil pump assembly	1	1
8	E3409	Body, oil pump	1	1
9	E3410	Plunger, oil feed	1	1
10	E3194	Plunger, oil scavenge	1	1
11	E3195	Rod, connecting drive	1	1
12	E3412	Pin, connecting drive rod	1	1
13	E3413	Circlip, connecting drive rod	1	1
14	S70-4	Ball, oil pump body	2	2
15	E3191	Spring, oil pump body and auxiliary valves	4	4
16	T1124	Ball, auxiliary valve	2	2
17	E3192	Plug, oil pump body	2	2
18	E3197	Bolt, oil pump to crankcase	2	2
19	GS299	Lockwasher, oil pump to crankcase (serrated)	2	2
20	E3188	Washer, oil pump to crankcase joint	1	1
CRANKCASE FILTER				
21	E3177	Filter, crankcase	1	1
22	E3176	Spring, crankcase filter	1	1
23	E3302	Washer, crankcase filter spring	1	1
24	E1564	Cap, crankcase filter	1	1
25	E1577	Washer, crankcase filter joint	1	1
INNER COVER, DRIVE SIDE				
26	E3577	Cover, crankcase D.S. inner	1	1
27	E3199	Dowel, inner cover to crankcase front	1	1
28	T989	Dowel, inner cover to outer cover rear	1	1
29	E3152	Bearing, engine flywheel mainshaft	1	1
30	E3379	Oil seal, mainshaft bearing	1	1
31	E3460	Sealing washer, gearbox shaft (rubber)	1	1
32	E3603	Backing washer, sealing washer	1	1
33	E3204	Screw, inner cover to crankcase (top front)	1	1
34	E3445	Screw, inner cover to crankcase	2	2
35	DS57	Plug, oil level and drain... ..	2	2
36	WE170	Washer, oil level and drain plugs	2	2

REF. No.	PART No.	DESCRIPTION	QUANTITY	
			T15	T20
ENGINE SPROCKET				
1	E3201	Engine sprocket, 19 teeth	1	—
2	E3581	Engine sprocket, 18 teeth	—	1
3	W954	Distance piece, sprocket and rotor See Page 47 for locknut and washer	1	1
OUTER COVER, DRIVE SIDE				
4	E3582	Cover, crankcase D.S. outer	1	—
5	E3580	Cover, crankcase D.S. outer	—	1
6	E3579	Washer, cover joint	1	1
7	E3205	Screw, outer cover, long	4	4
8	E3200	Screw, outer cover, short	4	4
9	E3204	Screw, outer cover, medium	1	1
10	E732	Plug, oil filler	1	1
11	NE507	Washer, oil filler joint	1	1
INNER COVER, TIMING SIDE				
12	E3416	Cover, inner T.S. c/w bushes and clutch lever	1	1
13	E3293	Bush, camshaft	1	1
14	E3172	Peg, camshaft bush	1	1
15	T1147	Bush, gearbox mainshaft	1	1
16	T1149	Plate, inner cover	1	1
17	T1148	Washer, inner cover plate (Cork)	1	1
18	T1150	Screw, inner cover plate	2	2
19	E3204	Screw, inner cover to crankcase (front and rear)	2	2
20	E3220	Screw, inner cover to crankcase (short)	1	1
21	E3221	Screw, inner cover to crankcase (long)	1	1
22	F3775	Vent pipe, inner cover breather (PVC)	1	1
23	XA69	Clip, vent pipe to clutch cable	1	1
OUTER COVER, TIMING SIDE				
24	E3151	Cover, outer T.S.	1	1
25	E3345	Washer, cover joint	1	1
26	E3221	Screw, outer T.S. cover (long)... ..	1	1
27	E3231	Screw, outer T.S. cover (medium)	7	7
28	E3220	Screw, outer T.S. cover (short)	1	1
GASKET SET				
29	GST15/55	Gasket set	1	—
30	GST20/55	Gasket set	—	1

GEARBOX AND CLUTCH — GROUP 3

Illustrated on Pages 10, 15 and 17—Figs. 1, 2 and 3

SHAFTS AND GEARS							T15	T20
1	T1083*	Gear cluster, mainshaft (3rd and low)	1	1
2	T1085	Bush, mainshaft clutch rod	1	1
3	T1078	Gear, mainshaft high c/w bush...	1	1
4	T1080	Bush, mainshaft high	1	1
5	T1089	Gear, mainshaft 2nd	1	1
6	T1090	Thrust ring, mainshaft 2nd gear	1	1
7	T1091*	Gear, cluster, layshaft (top and 2nd)	1	1
8	T1094	Gear, layshaft 3rd	1	1
9	T1095	Gear, layshaft low c/w bush	1	1
10	T1097	Bush, layshaft low gear	1	1

* The gear clusters are sold only as an assembly and the parts cannot be obtained separately.

SELECTOR FORKS AND SPINDLE

11	T1098	Fork, mainshaft and layshaft selector	2	2
12	T1102	Spindle, selector fork	1	1

CAMPLATE

13	T1066	Camplate assembly	1	1
14	T1069	Spindle, camplate	1	1
15	$\frac{3}{32}$ " × 1"	Split pin, camplate to spindle	1	1
16	T1248	Spring, camplate index	1	1
17	T1249	Spring, camplate index (supplementary)	1	1
18	T1076	Screw, camplate index spring	2	2
19	T1180	Lockwasher, camplate index spring	1	1

FOOTCHANGE MECHANISM

20	T1164	Pedal, footchange	1	1
21	F1369	Bolt, footchange pedal	1	1
22	T1259	Spindle, quadrant and plunger assembly	1	1
23	T1181	Feltwasher, footchange spindle	1	1
24	T1184	Plunger, footchange gear selector	2	2
25	T1278	Spring, footchange gear selector plunger	2	2
26	$\frac{5}{64}$ " × $\frac{3}{4}$ "	Split pin, footchange gear selector plunger	2	2
27	T1109	Spring, footchange return	1	1
28	T1077	Pin, footchange return spring anchorage	1	1
29	E2287	Washer, footchange return spring anchorage	1	1
30	T449	Rubber, footchange pedal	1	1

REF. No.	PART No.	DESCRIPTION	QUANTITY	
			T15	T20
GEARBOX CASING BEARINGS				
1	T1070	Bearing, D.S. gearbox mainshaft (ball)	1	1
2	T1071	Oil seal, D.S. bearing (felt)	1	1
3	T1072	Plate, D.S. bearing seal retaining	1	1
4	T1073	Bearing, D.S. gearbox layshaft (plain)	1	1
5	E3172	Peg, layshaft bearing locating	1	1
6	T1269	Disc, D.S. gearbox layshaft bearing	1	1

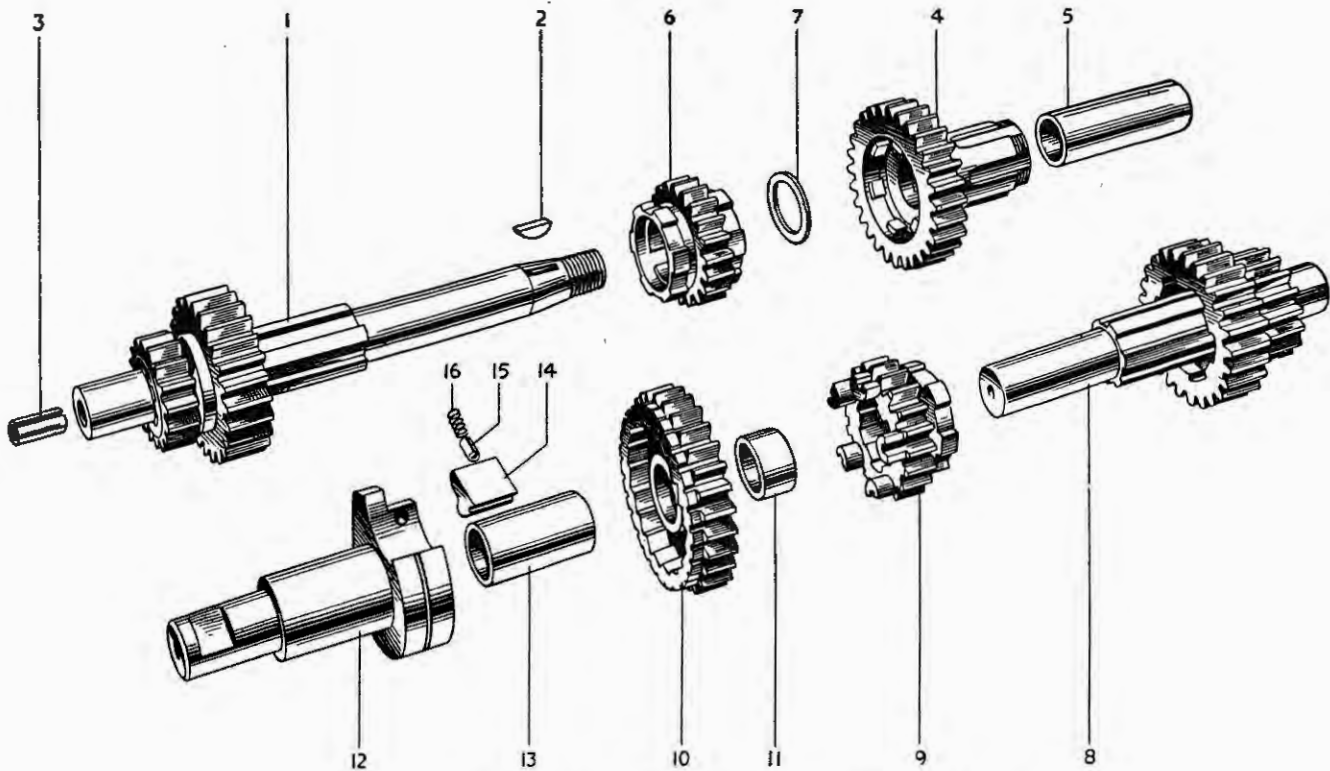


FIG. 2. MAINSHAFT AND LAYSHAFT GEARS.

INDEX

Illust. No.	Part No.	Page No.	Ref. No.	Illust. No.	Part No.	Page No.	Ref. No.
1	T1083	14	1	9	T1094	14	8
2	T1119	16	28	10	T1095	14	9
3	T1085	14	2	11	T1097	14	10
4	T1078	14	3	12	T1279	16	8
5	T1080	14	4	13	T1118	16	9
6	T1089	14	5	14	T1281	16	10
7	T1090	14	6	15	T1282	16	11
8	T1091	14	7	16	T1161	16	12

GROUP 3 — GEARBOX

REF. No.	PART No.	DESCRIPTION	QUANTITY
KICKSTARTER			T15 T20
1	T1165	Kickstarter assembly, folding	
2	T1166	Crank, kickstarter	
3	T1168	Pedal kickstarter crank	
3a	F1814	Rubber, kickstarter pedal	-
4	T1169	Bolt, kickstarter crank to pedal	
5	S70-3	Ball, kickstarter crank to pedal	
6	T1167	Spring, kickstarter crank to pedal	
7	S52-1	Cotter, kickstarter crank c/w nut and washer	
8	T1279	Spindle, kickstarter c/w bush	
9	T1118	Bush, kickstarter spindle	
10	T1281	Pawl, kickstarter... ..	
11	T1282	Plunger, kickstarter pawl	
12	T1161	Spring, kickstarter plunger	
13	T1274	Disc, pawl retaining	
14	T1162	Spring, kickstarter return	
15	T1163	Plate, kickstarter return spring anchor	
16	T1157	Plate, kickstarter stop	
17	T1158	Screw, kickstarter stop plate	
GEARBOX SPROCKET			
18	T1081	Sprocket, gearbox, 17 teeth	
19	T1082	Nut, gearbox sprocket	
FILLER, LEVEL AND DRAIN PLUGS			
20	T1110	Plug, gearbox filler	
21	E697	Washer, gearbox filler plug	
22	T1112	Plug, gearbox drain	
23	T1257	Washer, gearbox drain plug	
24	T361	Plug, gearbox level	
25	WE170	Washer, gearbox level plug	
CLUTCH			
26	T1365	Clutch, complete	-
27	T1341	Clutch, complete	-
28	T1119	Key, clutch to mainshaft	
29	T1347	Lockwasher, clutch nut	
30	T1348	Nut, clutch to mainshaft	
31	T1310	Housing and sprocket complete with linings (48 teeth)	-
32	T1343	Housing and sprocket complete with linings (36 teeth)	-
33	T1124	Ball, clutch sprocket bearing	16 16
34	T1264	Bearing ring, clutch sprocket	

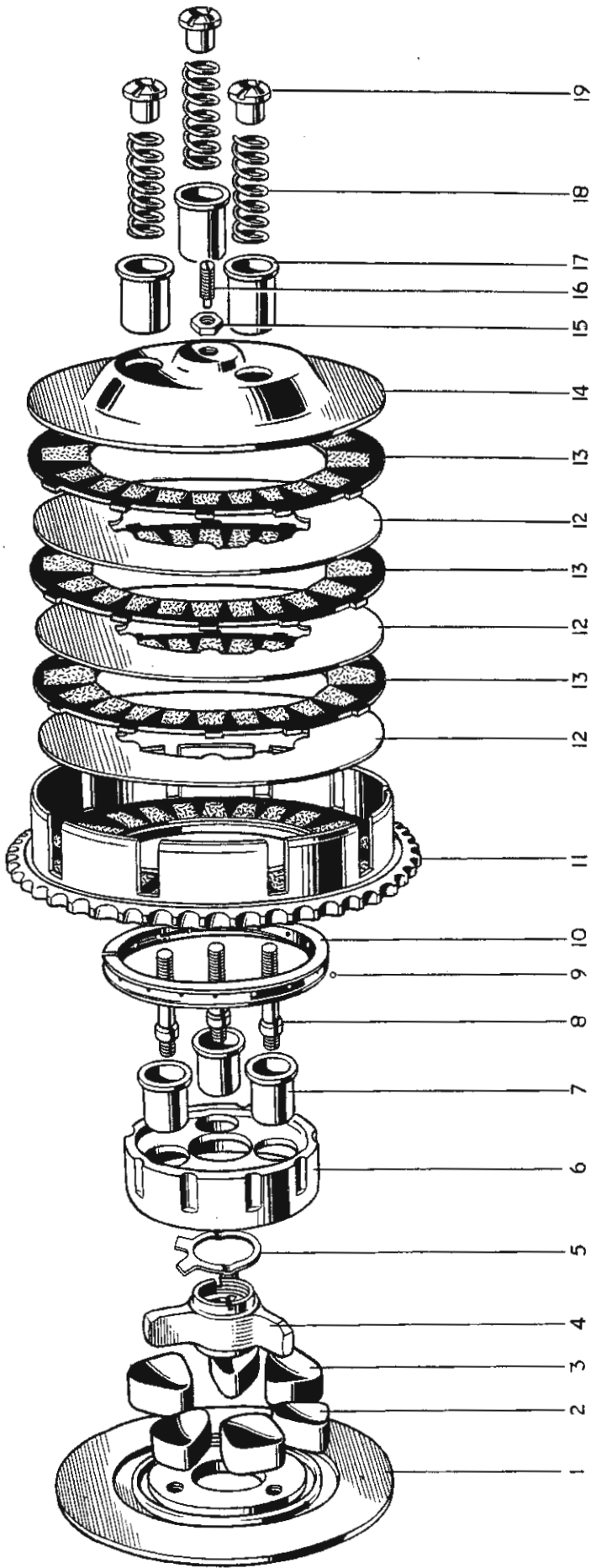


FIG. 3. CLUTCH AND SHOCK ABSORBER UNIT.

INDEX

Illust. No.	Part No.	Page No.	Ref. No.
1	T1128	18	3
2	T1318	18	8
3	T1132	18	7
4	T1346	18	6
5	T1347	16	29
6	T1314	18	2
7	T1364	18	4
8	T1350	18	5
9	T1124	16	33
10	T1264	16	34
11	T1310	16	31
12	T1343	16	32
13	T1315	18	9
14	T1294	18	10
15	T1253	18	11
16	GS662	18	13
17	T1256	18	12
18	T1144	18	14
19	T1145	18	15
	T1146	18	16

GROUP 4 — EXHAUST SYSTEM

REF. No.	PART No.	DESCRIPTION	QUANTITY	
			T15	T20
1	T1345	Shock absorber assembly comprising lines 2 to 8 ...	1	1
2	T1314	Clutch centre ...	1	1
3	T1128	Backplate ...	1	1
4	T1364	Cup, centre driving ...	3	3
5	T1350	Pin, driving cup ...	3	3
6	T1346	Spider ...	1	1
7	T1132	Rubber, drive ...	3	3
8	T1318	Rubber, rebound ...	3	3
9	T1315	Driven Plate ...	3	3
10	T1294	Driving plate complete with linings ...	3	3
11	T1253	Pressure plate ...	1	1
12	T1256	Adjuster, pressure plate ...	1	1
13	GS662	Nut, for adjuster ...	1	1
14	T1144	Spring cup ...	3	3
15	T1145	Spring, clutch pressure ...	3	3
16	T1146	Nut, clutch pin ...	3	3

CLUTCH CONTROL

17	T1233	Lever, clutch operating assembly ...	1	1
18	T1235	Lever, clutch operating ...	1	1
19	T1236	Pin, operating lever fulcrum ...	1	1
20	T1155	Cup, operating lever thrust ...	1	1
21	T1124	Ball, cup to rod ...	1	1
22	$\frac{1}{16}'' \times \frac{1}{2}''$	Split-pin, cup to lever ...	1	1
23	T1234	Fulcrum, clutch operating lever ...	1	1
24	T1140	Rod, clutch operating ...	1	1

EXHAUST SYSTEM — GROUP 4

EXHAUST PIPE

25	E3257	Pipe, exhaust ...	1	1
26	E3259	Clip, exhaust pipe to cylinder head ...	1	1
27	E3260	Bolt, exhaust pipe to cylinder head ...	1	1
28	S25-13	Washer, exhaust pipe to cylinder head clip bolt ...	1	1

SILENCER

29	E3261	Silencer ...	1	1
30	E3269	Clip, silencer to exhaust pipe ...	1	1
31	TE164E	Bolt, silencer to exhaust pipe clip ...	1	1
32	TE164D	'D' Washer, silencer to exhaust pipe clip bolt ...	1	1
33	TE164C	'D' Nut, silencer to exhaust pipe clip bolt ...	1	1
34	F929	Bolt, silencer to frame ...	1	1
35	S1-51	Nut, silencer to frame bolt ...	1	1
36	S26-2	Washer, silencer to frame bolt ...	1	1

FRAME — GROUP 5
STAND — GROUP 6

REF. No. PART No. DESCRIPTION QUANTITY

FRAME — GROUP 5

Illustrated on Pages 20 and 21—Figs. 4 and 5

FRAME										T15	T20
1	F3926	Frame, only	1	1
2	F3953	Bolt, front and rear engine mounting	2	2
3	F3954	Bolt, lower engine mounting	1	1
4	F3955	Nut, engine mounting bolt	3	3
5	F3929	Distance piece, engine bolts	3	3
REAR SUSPENSION											
6	F4038	Fork end, R.H. c/w grease nipple	1	1
7	F4037	Fork end, L.H. c/w pin and grease nipple	1	1
8	NW100	Nipple, fork end grease...	2	2
9	F3781	Pin, fork end brake anchorage	1	1
10	F3422	Backing washer, plunger lug (top)	2	2
11	F3577	Cup, plunger lug (bottom)	2	2
12	F3423	Gaiter, plunger lug bottom (rubber)	2	2
13	F3425	Spring, suspension main	2	2
14	F3426	Spring, suspension rebound	2	2
15	F3427	Cover, suspension spring (lower)	2	2
16	F3428	Cover, suspension spring (upper)	2	2
17	F3853	Rod, plunger guide	2	2
18	F3854	Nut, plunger guide rod	2	2
19	F3430	Bolt, plunger guide to lug clamp	2	2
20	E470	Nut, plunger guide to lug clamp	2	2
21	S25-3	Washer, plunger guide to lug clamp	2	2

STAND — GROUP 6

CENTRE STAND

22	F3762	Stand c/w fittings	1	—
23	F3956	Stand c/w fittings	—	1
24	F3763	Stand only	1	—
25	F3957	Stand only	—	1
26	F3747	Spring, stand return	1	—
27	F3960	Spring, stand return	—	1
28	F3520	Bolt, stand pivot	2	2
29	DS47	Nut, pivot bolt	2	2

PROP STAND

30	F3681	Prop stand c/w fittings	1	—
31	F3937	Prop stand c/w fittings	—	1
32	F3097	Pin, stand pivot	1	1
33	F3096	Lockwasher, pivot pin	1	1
34	F2610	Spring, return	1	1

GROUP 5 — FRAME

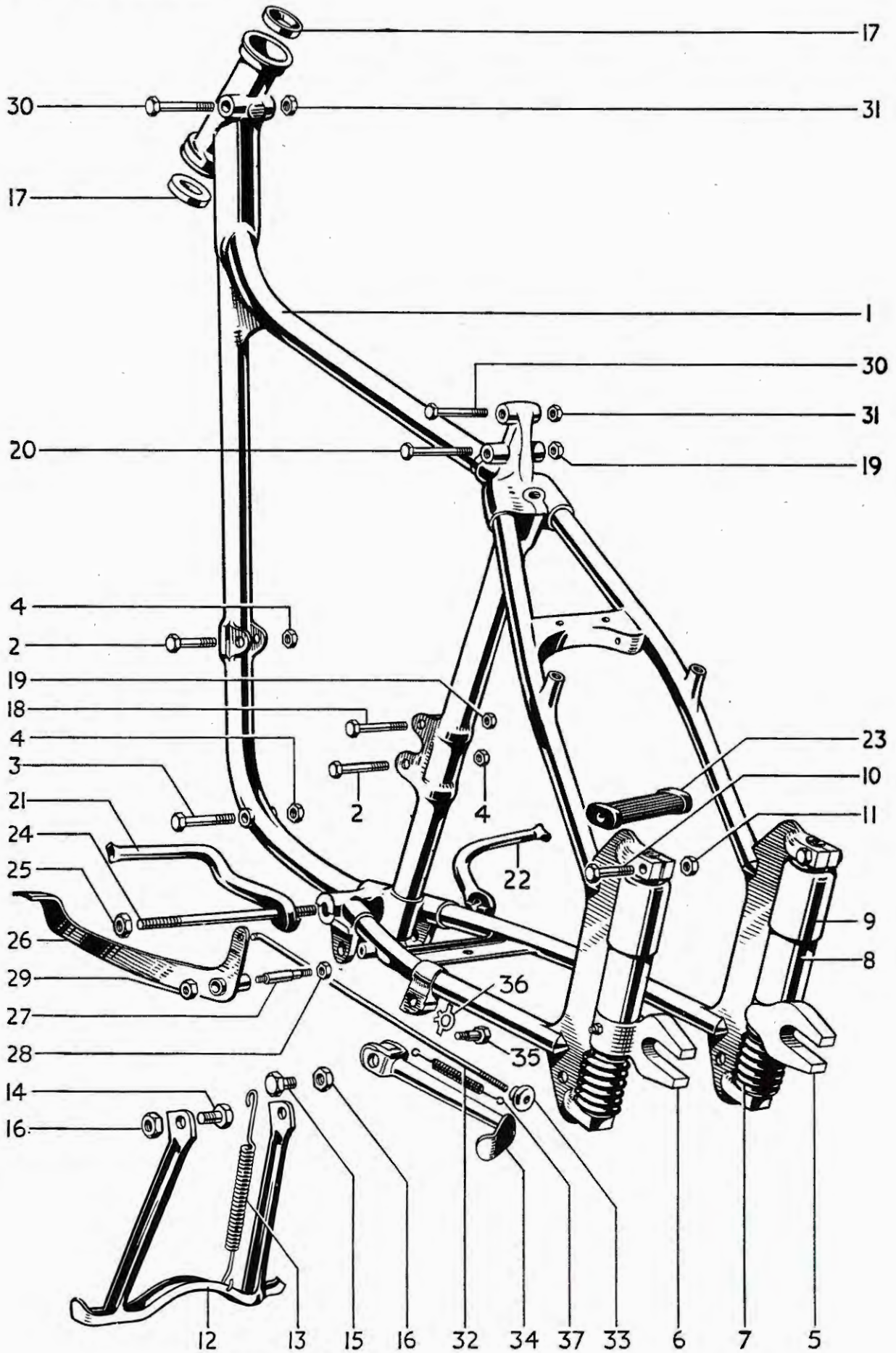


FIG. 4. FRAME AND COMPONENTS.
For Index See Page 21.

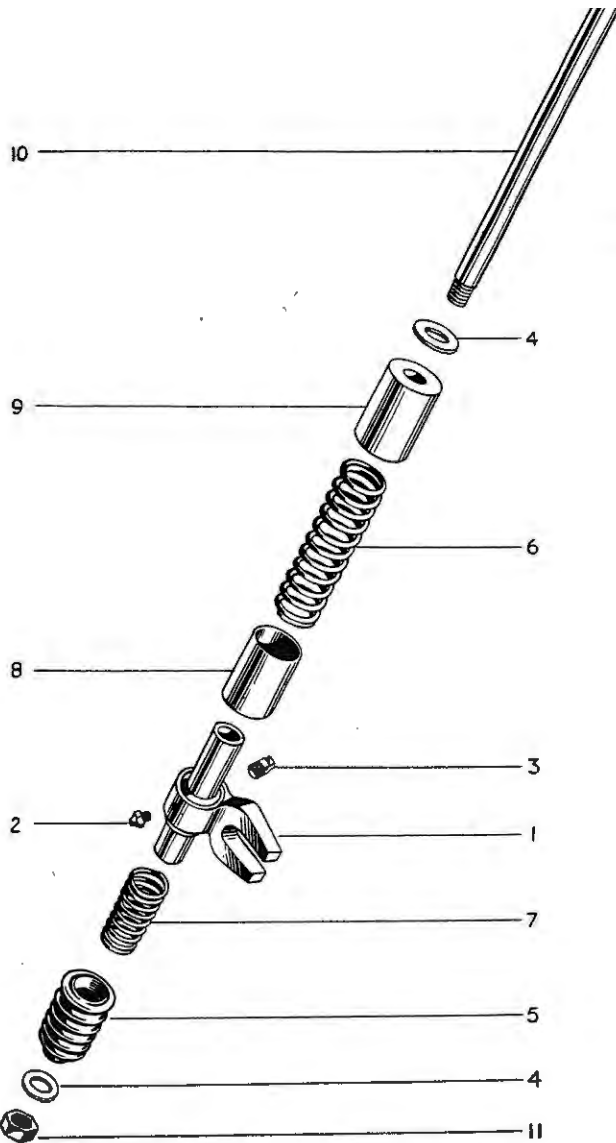


FIG. 5.
REAR
SUSPENSION.

For Index see below

INDEX TO FIG. 5.

Illust. No.	Part No.	Page No.	Ref. No.
1	F4038	19	6
	E4037	19	7
2	NW100	19	8
3	F3718	19	9
4	F3422 (Upper)	19	10
	F3577 (Lower)	19	11
5	F3423	19	12
6	F3425	19	13
7	F3426	19	14
8	F3427	19	15
9	F3428	19	16
10	F3853	19	17
11	F3854	19	18

INDEX TO FIG. 4. PAGE 20.

Illust. No.	Part No.	Page No.	Ref. No.	Illust. No.	Part No.	Page No.	Ref. No.
1	F3926	19	1	20	F3468	39	2
2	F3953	19	2	21	F3449	39	13
3	F3954	19	3	22	F3450	39	14
4	F3955	19	4	23	F1695	39	15
5	F4038	19	6	24	F3448	39	16
6	F4037	19	7	25	H193	39	17
8	F3427	19	15	26	F3456	40	1
9	F3428	19	16	27	F3459	40	2
10	F3430	19	19		F3933	40	3
11	E470	19	20	28	SI-51	40	4
12	F3763	19	24	29	T224	40	6
	F3957	19	25	30	F3498	37	10
13	F3747	19	26	31	SI-51	37	11
	F3960	19	27	32	F3460	40	8
14	F3520	19	28	33	F3463	40	12
15	F3520	19	28	34	F3681	19	30
16	DS47	19	29		F3937	19	31
17	H835	25	16	35	F3097	19	32
18	F2596	37	23	36	F3096	19	33
19	SI-51	39	1	37	F3610	19	34

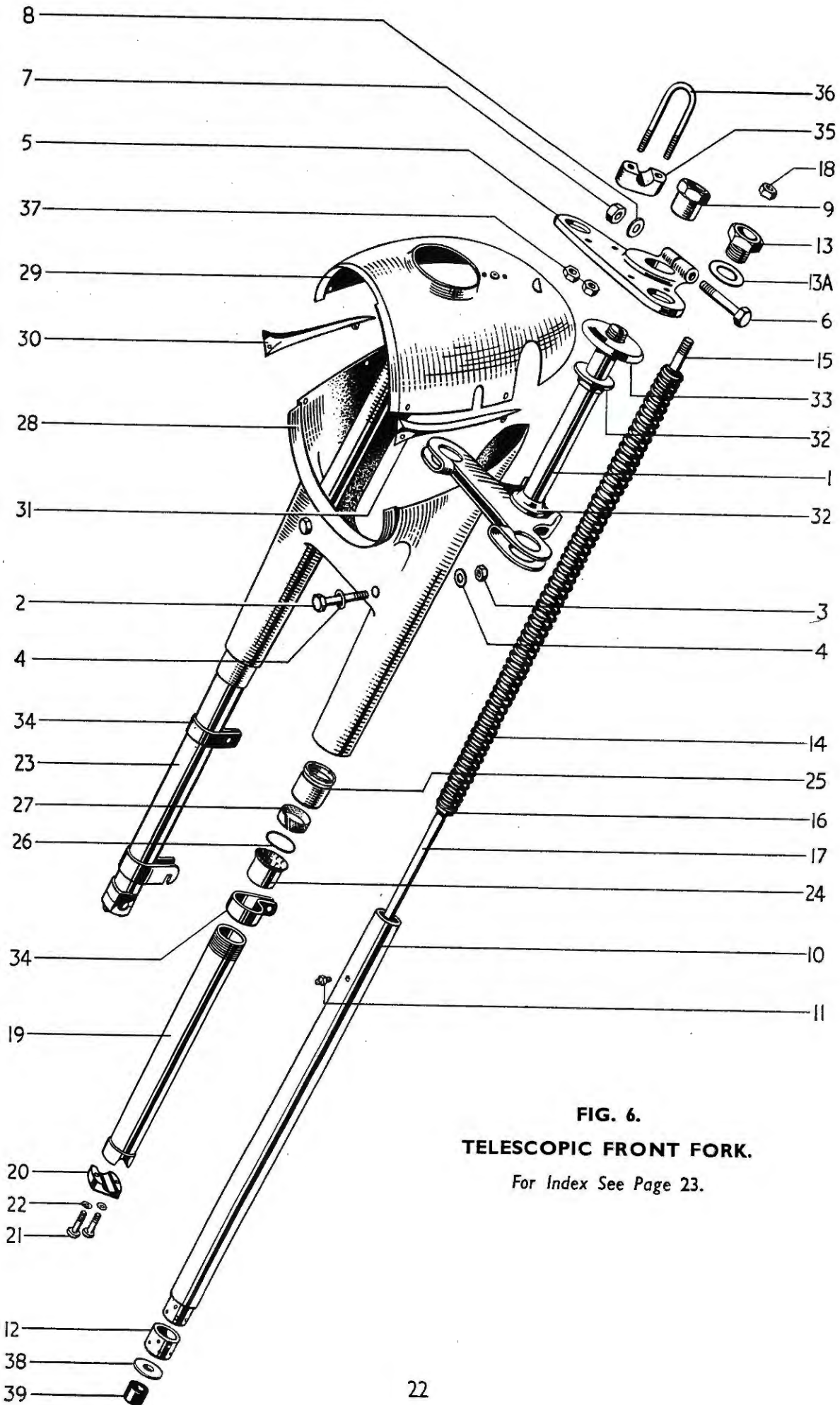


FIG. 6.
TELESCOPIC FRONT FORK.
For Index See Page 23.

INDEX TO FIG. 6. PAGE 22.

<i>Illust. No.</i>	<i>Part No.</i>	<i>Page No.</i>	<i>Ref. No.</i>
1	H828	24	2
2	H834	24	3
3	H518	24	4
4	S25-3	24	6
5	H837	24	7
6	H570	24	8
7	SI-51	24	9
8	S25-3	24	10
9	H840	24	11
10	H843	24	12
11	NW100	24	13
12	H845	24	14
13	H846	24	15
13A	E2287	24	16
14	H847	24	19
15	H850	24	20
16	H851	24	21
17	H852	24	22
18	SI-51	24	23
19	H853	24	24
20	H856	24	26
21	VV932	24	27
22	E1612	24	28
23	H948	24	25
24	H860	24	29
25	H861	25	1
26	H862	25	2
27	H863	25	3
28	H823	25	4
29	H822	25	5
30	H877	25	6
31	H878	25	7
32	H833	25	17
33	H836	25	19
34	H873	31	8
35	H864	40	18
36	H865	40	19
37	F879	40	20
38	H902	24	18
39	H903	24	17

GROUP 7 – TELESCOPIC FRONT FORK

REF. No. PART No.

DESCRIPTION

QUANTITY

TELESCOPIC FRONT FORK – GROUP 7

Illustrated on Page 22—Fig. 6

FRONT FORK								T15	T20
1	H827	Fork, assembly	1	1
2	H828	Lug, fork stem and middle	1	1
3	H834	Bolt, middle lug pinch	2	2
4	H518	Nut, middle lug pinch bolt	2	2
5	F3098	Clip, for front brake cable	1	1
6	S25-3	Washer, middle lug pinch bolt	4	4
7	H837	Lug, fork top	1	1
8	H570	Bolt, fork top lug clamp	1	1
9	SI-51	Nut, fork top lug clamp bolt	1	1
10	S25-3	Washer, fork top lug clamp bolt	1	1
11	H840	Sleeve nut, fork stem	1	1
12	H843	Stanchion fork c/w bush	2	2
13	NW100	Grease nipple, stanchion	2	2
14	H845	Bush, stanchion bottom	2	2
15	H846	Nut, stanchion to top lug	2	2
16	E2287	Washer, stanchion to top lug nut	2	2
17	H903	Buffer, stanchion rubber	2	2
18	H902	Washer, stanchion rubber buffer	2	2
19	H847	Spring, fork c/w studs, etc.	2	2
20	H850	Stud, fork spring (short) top	2	2
21	H851	Stopnut, fork spring (bottom)	2	2
22	H852	Rod, fork spring anchor (bottom)	2	2
23	SI-51	Nut, fork spring (short) stud	2	2
24	H853	Member, outer lower c/w cap L.H.	1	1
25	H948	Member, outer lower c/w cap R.H.	1	1
26	H856	Cap, outer lower member lug spindle	2	2
27	W932	Bolt, outer lower member lug spindle	4	4
28	E1612	Washer, outer lower member lug spindle	4	4
29	H860	Bush, outer lower member top	2	2

REF. No.	PART No.	DESCRIPTION	QUANTITY	
			T15	T20
1	H861	Sleeve nut, outer lower member	2	2
2	H862	Washer, sleeve nut (steel)	2	2
3	H863	Washer, sleeve nut (felt)	2	2
4	H823	Nacelle, bottom unit	1	1
5	H822	Nacelle, top unit... ..	1	1
6	H877	Flash, L.H. (Motif)	1	1
7	H878	Flash, R.H. (Motif)	1	1
8	H688	Screw, flash and top and bottom unit	2	2
9	H691	Nut, flash and top and bottom unit	2	2
10	E2880	Washer, flash and top and bottom unit	2	2
11	H916	Screw, flash and top and bottom unit (centre)	2	2
12	H689	Screw, top and bottom unit (rear)	2	2
13	H691	Nut, top and bottom unit (rear)	2	2
14	E2880	Washer, top and bottom unit (rear)	2	2
15	H961	Grommet, control cables	2	2
STEERING RACES				
16	H835	Cup, steering race (top and bottom)	2	2
17	H833	Cone, steering race (top and bottom)	2	2
18	S70-3	Ball, steering race (top and bottom)	30	30
19	H836	Cover, steering race dust	1	1
LICENCE HOLDER				
20	D261	Holder, licence	1	1

DESPATCHING GOODS. Parts being returned to either the Distributor or Triumph Service Department for rectification should be well packed to avoid damage in transit. Cylinder barrels and cylinder heads are extremely vulnerable to breakage of the fins ; when casing, pack straw or old newspapers, etc., round the finning to prevent damage due to shock. Advice of despatch should be forwarded to the consignee and the sender MUST securely attach a label to the returned parts, clearly stating his name and address.

RECEIVING GOODS. Every possible precaution is taken to ensure that the sender's order has been correctly interpreted and the goods despatched are correct to the invoice. Parts sent in for repair are tested before despatch and are subsequently covered by our guarantee on Page 53. In the event of any shortage or damage in transit, we must be advised within 48 hours of arrival in order that the necessary action can be taken. No claim can be entertained after this period.

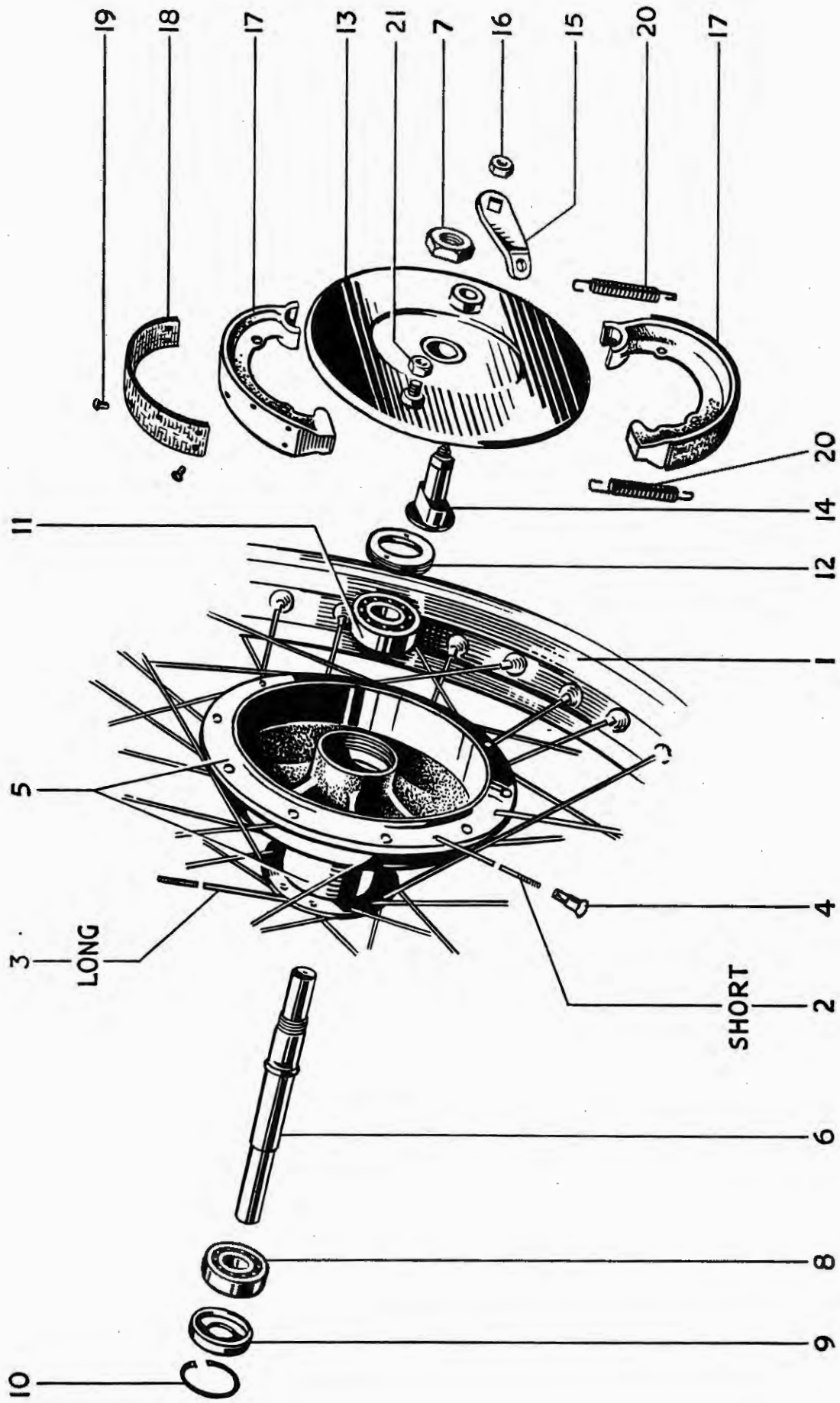


FIG. 7. FRONT WHEEL.

For Index See Page 27.

REF. No. PART No.

DESCRIPTION

QUANTITY

WHEELS – GROUP 8

Illustrated on Page 26—Fig. 7

		FRONT WHEEL						T15	T20
1	W1001	Wheel, front, complete	1	–
2	W1171	Wheel, front complete	–	1
3	W960	Rim, spokes and hub assembly	1	–
4	W1172	Rim, spokes and hub assembly	–	1
5	W1002	Rim, front wheel, W.M.1.-19	1	–
6	W1173	Rim, front wheel, W.M.2-16	–	1
7	W963	Spoke and nipple, L.H., 8½ ins. 90°	20	–
8	W964	Spoke and nipple, R.H., 6⅞ ins. 90°	20	–
9	W1174	Spoke and nipple, L.H., 6⅝ ins. 90°	–	20
10	W1175	Spoke and nipple, R.H., 5⅜ ins. 90°	–	20
11	W965	Nipple, spoke	40	40
12	W961	Hub and brake drum assembly	1	1
13	W967	Spindle, front wheel	1	1
14	W1093	Nut, front wheel spindle to anchor plate	1	1
15	T530	Bearing, front wheel L.H.	1	1
16	W966	Dust cap, front wheel L.H.	1	1
17	T532	Circlip, front wheel L.H. dust cap	1	1
18	H826	Bearing, front wheel R.H.	1	1
19	W968	Ring, front wheel R.H. locking	1	1
		FRONT WHEEL BRAKE							
20	W969	Plate, front brake anchor	1	–
21	W1065	Plate, front brake anchor	–	1
22	W1128	Cam assembly, front brake	1	1
23	W1130	Lever, front brake	1	1
24	T224	Nut, front brake lever	1	1
25	S25-71	Washer, front brake lever	1	1

INDEX TO FIG. 7. PAGE 26.

<i>Illust. No.</i>	<i>Part No.</i>	<i>Page No.</i>	<i>Ref. No.</i>	<i>Illust. No.</i>	<i>Part No.</i>	<i>Page No.</i>	<i>Ref. No.</i>
1	W1002	27	5	11	H826	27	18
	W1173	27	6	12	W968	27	19
2	W964	27	8	13	W969	27	20
	W1175	27	10		W1065	27	21
3	W963	27	7	14	W1128	27	22
	W1174	27	9	15	W1130	27	23
4	W965	27	11	16	T224	27	24
5	W961	27	12	17	W977	29	1
6	W967	27	13	18	W978	29	2
7	W1093	27	14	19	W979	29	3
8	T530	27	15	20	W200	29	4
9	W966	27	16	21	SI-52	29	5
10	T532	27	17				

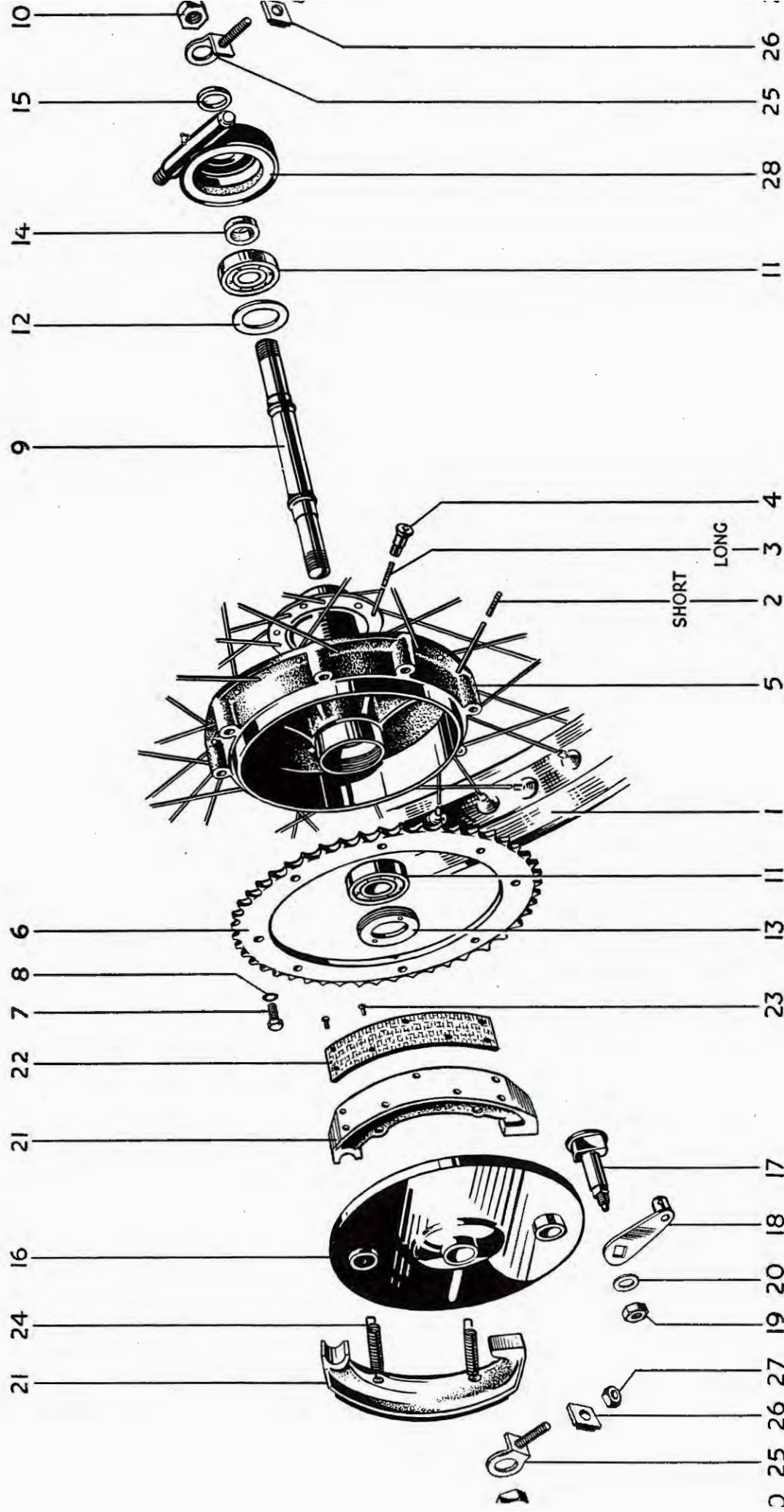


FIG. 8. REAR WHEEL.

For Index See Page 29.

REF. No.	PART No.	DESCRIPTION	QUANTITY	
			T15	T20
1	W977	Shoe, front brake c/w lining	2	2
2	W978	Lining, front brake	2	2
3	W979	Rivet, front brake lining	12	12
4	W200	Spring, front brake shoe	2	2
5	SI-52	Nut, front brake anchorage to clip	1	1
6	S26-1	Washer, front brake anchorage to clip	1	1

REAR WHEEL

7	WI207	Wheel, rear, complete	1	-
8	WI211	Wheel, rear, complete	-	1
9	WI208	Rim, spokes and hub assembly	1	-
10	WI212	Rim, spokes and hub assembly	-	1
11	WI002	Rim, rear wheel W.M.1-19	1	-
12	WI173	Rim, rear wheel W.M.2-16	-	1
13	W963	Spoke and nipple R.H. 8 $\frac{1}{2}$ ins. 90°	20	-
14	WI174	Spoke and nipple R.H. 6 $\frac{29}{32}$ ins. 90°	-	20
15	WI205	Spoke and nipple L.H. butted 6 $\frac{7}{8}$ ins. 100°	10	-
16	WI206	Spoke and nipple L.H. butted 6 $\frac{7}{8}$ ins. 80°	10	-
17	WI213	Spoke and nipple L.H. butted 5 $\frac{15}{32}$ ins. 100°	-	10
18	WI214	Spoke and nipple L.H. butted 5 $\frac{15}{32}$ ins. 80°	-	10
19	W965	Nipple	40	40
20	WI209	Hub and brake drum	1	1
21	W984	Sprocket, 48 teeth	1	-
22	WI076	Sprocket, 54 teeth	-	1
23	W985	Bolt, sprocket to brake drum	8	8
24	WI122	Washer, sprocket bolt	8	8

INDEX TO FIG. 8. PAGE 28.

Illust. No.	Part No.	Page No.	Ref. No.	Illust. No.	Part No.	Page No.	Ref. No.
1	WI002	29	11	14	W954	30	6
	WI173	29	12	15	W995	30	7
2	WI205	29	15		WI183	30	8
	WI206	29	16	16	W990	30	9
	WI213	29	17		WI179	30	10
	WI214	29	18	17	WI128	30	11
3	W963	29	13	18	WI131	30	12
	WI174	29	14		WI181	30	13
4	W965	29	19	19	T224	30	14
5	WI209	29	20	20	S25-71	30	15
6	W984	29	21	21	W977	30	16
	WI076	29	22	22	W978	30	17
7	W985	29	23	23	W979	30	18
8	WI122	29	24	24	W200	30	19
9	W989	30	1	25	W996	30	20
10	WI000	30	2	26	W999	30	21
11	H826	30	3	27	F879	30	22
12	W987	30	4	28	D175	51	12
13	W988	30	5				

REF. No. PART No.

DESCRIPTION

QUANTITY

								T15	T20
1	W989	Spindle, rear wheel	1	1
2	W1000	Nut, rear wheel spindle	2	2
3	H826	Bearing, rear wheel R.H. and L.H.	2	2
4	W987	Backing ring, rear wheel bearing R.H.	1	1
5	W988	Locking ring, rear wheel bearing L.H.	1	1
6	W954	Distance piece, rear wheel spindle, inner, R.H.	1	1
7	W995	Distance piece, rear wheel spindle, outer, R.H.	1	-
8	W1183	Distance piece, rear wheel spindle, outer, R.H.	-	1

REAR WHEEL BRAKE

9	W990	Plate, rear brake anchor	1	-
10	W1179	Plate, rear brake anchor	-	1
11	W1128	Cam, rear brake	1	1
12	W1131	Lever, rear brake	1	-
13	W1181	Lever, rear brake	-	1
14	T224	Nut, rear brake lever	1	1
15	S25-71	Washer, rear brake lever	1	1
16	W977	Shoe, rear brake c/w lining	2	2
17	W978	Lining, rear brake	2	2
18	W979	Rivet, rear brake	12	12
19	W200	Spring, rear brake shoe	2	2

REAR WHEEL CHAIN ADJUSTER

20	W996	Adjuster, rear chain	2	2
21	W999	End plate, rear chain adjuster	2	2
22	F879	Nut, rear chain adjuster	2	2

MUDGUARDS — GROUP 9*Illustrated on page 32***FRONT MUDGUARD****T15 T20**

1	H868	Mudguard, front	1	-
2	H929	Mudguard, front	-	1
3	H871	Stay, front mudguard, L.H.	1	1
4	H872	Stay, front mudguard, R.H.	1	1
5	DS57	Bolt, front mudguard stay	4	4
6	F879	Nut, front mudguard stay	4	4
7	E1612	Washer, front mudguard stay	4	4
8	H873	Clip, fork leg centre bridge	2	2
9	GS218	Bolt, clip	2	2
10	F879	Nut, clip	2	2
11	E1612	Washer, clip	2	2
12	F3023	Distance piece, stay bolt	2	2
13	GS218	Bolt, stay to fork lug bottom	2	2
14	E1612	Washer, stay to fork lug bottom	2	2

REAR MUDGUARD

15	F3479	Mudguard, rear	1	-
16	F3939	Mudguard, rear	-	1
17	F3484	Stay, rear mudguard, L.H.	1	-
18	F3942	Stay, rear mudguard, L.H.	-	1
19	F3488	Stay, rear mudguard, R.H.	1	-
20	F3944	Stay, rear mudguard, R.H.	-	1
21	DS57	Bolt, rear mudguard stays	4	4
22	F879	Nut, rear mudguard stays	4	4
23	E1612	Washer, rear mudguard stays	4	4
24	E470	Nut, rear mudguard stays to plunger clamp bolt	2	2
25	F1369	Bolt, rear mudguard to bridge...	1	1
26	E1612	Washer, rear mudguard to bridge	1	1
27	F879	Nut, rear mudguard to bridge	1	1
28	F3483	Backing strip, mudguard to frame bridge	1	1
29	DS57	Bolt, backing strip	2	2
30	E1612	Washer, backing strip bolt	2	2
31	F879	Nut, backing strip bolt	2	2
32	E3203	Grommet for mudguard holes	2	2

GROUP 9 - MUDGUARDS

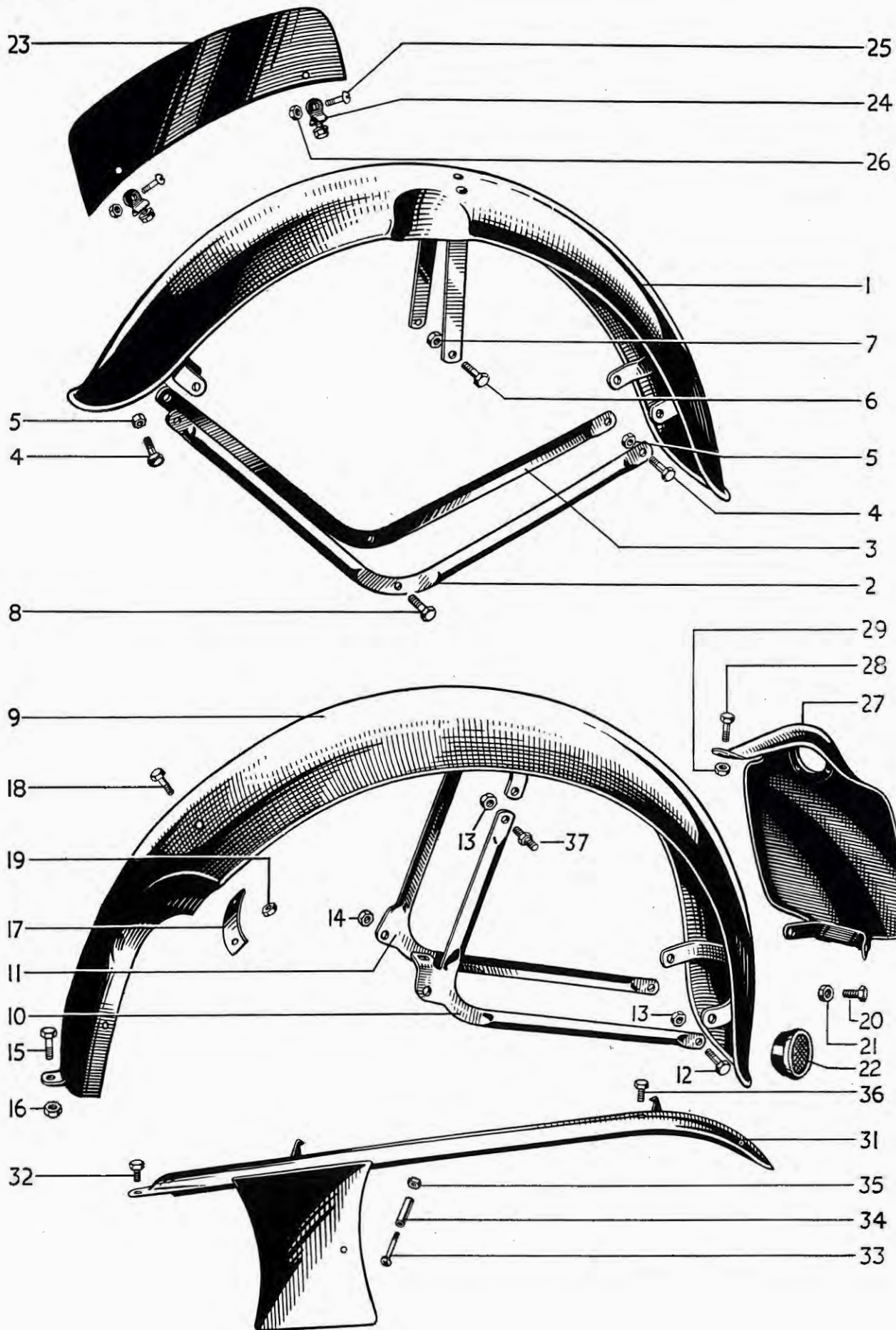


FIG. 9. MUDGUARDS, NUMBER PLATES AND REAR CHAINGUARD.

For Index See Page 33.

REF. No. PART No. DESCRIPTION QUANTITY

NUMBER PLATES — GROUP 10

Illustrated on Page 32—Fig. 9

FRONT NUMBER PLATE

T15 T20

1	H874	Plate, front number	1	1
2	H741	Clip, assembly, front number plate	2	2
3	H687	Screw, front number plate to clip	2	2
4	H745	Nut, clip screw	2	2

REAR NUMBER PLATE

5	F3508	Plate, rear number	1	1
6	F929	Bolt, number plate top	1	1
7	SI-51	Nut, top bolt	1	1
8	S26-3	Washer, top bolt	1	1
9	F1369	Bolt, number plate bottom	2	2
10	F879	Nut, bottom bolt	2	2
11	S26-2	Washer, bottom bolt	2	2
12	D68	Transfer, number plate motif	1	1
13	57080	Reflector, c/w nut and washer	1	1

INDEX TO FIG. 9. PAGE 32.

Illust. No.	Part No.	Page No.	Ref. No.	Illust. No.	Part No.	Page No.	Ref. No.
1	H868	31	1	19	F879	31	31
	H929	31	2	20	F1369	33	9
2	H871	31	3	21	F879	33	10
3	H872	31	4	22	57080	33	13
4	DS57	31	5	23	H874	33	1
5	F879	31	6	24	H741	33	2
6	GS218	31	9	25	H687	33	3
7	F879	31	10	26	H745	33	4
8	GS218	31	13	27	F3508	33	5
9	F3479	31	15	28	F929	33	6
	F3939	31	16	29	SI-51	33	7
10	F3484	31	17	31	F3431	34	1
	F3942	31	18		F3934	34	2
11	F3488	31	19	32	DS57	34	3
	F3944	31	20	33	F3436	34	5
12	DS57	31	21		F3961	34	6
13	F879	31	22	34	F3437	34	7
14	E470	31	24		F3962	34	8
15	F1369	31	25	35	H745	34	9
16	F879	31	27	36	DS57	34	10
17	F3483	31	28	37	F3866	52	13
18	DS57	31	29				

GROUP 12 - TOOLBOX, BATTERY CARRIER AND AIR CLEANER

REF. No.	PART No.	DESCRIPTION	QUANTITY
----------	----------	-------------	----------

REAR CHAINGUARD - GROUP 11*Illustrated on Page 32—Fig. 9*

									T15	T20
1	F3431	Chainguard, rear	1	-
2	F3934	Chainguard, rear	-	1
3	DS57	Bolt, chainguard to crankcase	1	1
4	S26-2	Washer, crankcase bolt	1	1
5	F3436	Screw, chainguard to mudguard	1	-
6	F3961	Screw, chainguard to mudguard	-	1
7	F3437	Distance piece, mudguard screw	1	-
8	F3962	Distance piece, mudguard screw	-	1
9	H745	Nut, mudguard screw	1	1
10	DS57	Bolt, chainguard to mudguard stay	1	1
11	E3203	Grommet, stop/tail light lead	1	1

TOOLBOX, BATTERY CARRIER AND AIR CLEANER
GROUP 12

Illustrated on Page 35—Fig. 10

12	F3491	Toolbox, battery and air cleaner assembly casing	1	1
13	F3470	Pad, battery, rubber moulded	2	2
14	F3418	Container, air cleaner	1	1
15	H251	Beading, air cleaner container, rubber...	1	1
16	F3492	Element, air cleaner	1	1
17	F3656	Stud, air cleaner to case	1	1
18	H745	Nut, air cleaner to case	1	1
19	F3473	Strap, battery case	1	1
20	F3472	Hook-bolt, battery case strap and lid	1	1
21	F879	Nut, battery case hook bolt	1	1
22	F3493	Lid, casing c/w knob	1	1
23	F3474	Knob, casing lid	1	1
24	F3475	Circlip, casing lid knob	1	1
25	F3478	Connector, air cleaner to carburetter	1	1
26	E3203	Grommet, oil tank vent	1	1
27	199002	Grommet, wiring harness	1	1

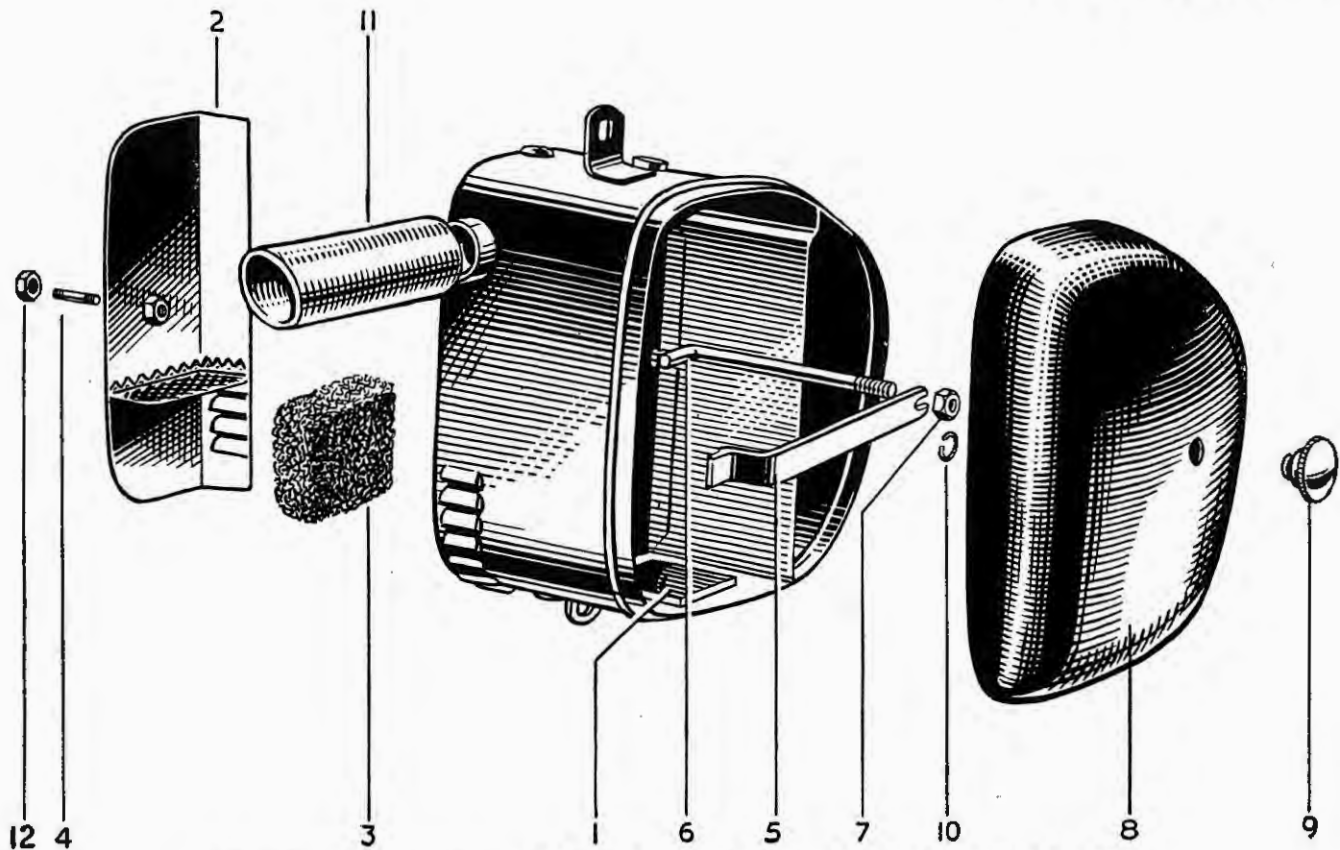


FIG. 10. TOOLBOX, BATTERY CARRIER AND AIR CLEANER.

INDEX TO FIG. 10

Illust. No.	Part No.	Page No.	Ref. No.	Illust. No.	Part No.	Page No.	Ref. No.
1	F3470	34	13	7	F879	34	21
2	F3418	34	14	8	F3493	34	22
3	F3492	34	16	9	F3474	34	23
4	F3656	34	17	10	F3475	34	24
5	F3473	34	19	11	F3478	34	25
6	F3472	34	20	12	H745	34	18

TOOLS — GROUP 13

Illustrated on page 36

REF. No.	PART No.	DESCRIPTION	QUANTITY	
			T15	T20
1	D290	Tool kit, complete		
2	D291	Toolbag		
3	D299	Spanner, open ended, $\frac{3}{8}$ " \times $\frac{7}{16}$ " Whit.		
4	D292	Spanner, open ended, $\frac{1}{8}$ " \times $\frac{3}{16}$ " \times $\frac{1}{4}$ " \times $\frac{5}{16}$ " Whit.		
5	D293	Spanner, combination square \times $\frac{3}{16}$ " \times $\frac{5}{16}$ " \times $\frac{1}{2}$ " Whit.		
6	D294	Spanner, screwdriver and box, $\frac{1}{4}$ " Whit.		
7	DA70	Key, clutch adjusting		
8	NA14A	Lever, tyre		
9	D335	Screwdriver, Phillips No. 2		
10	D296	Inflator, tyre (not included in D290)		

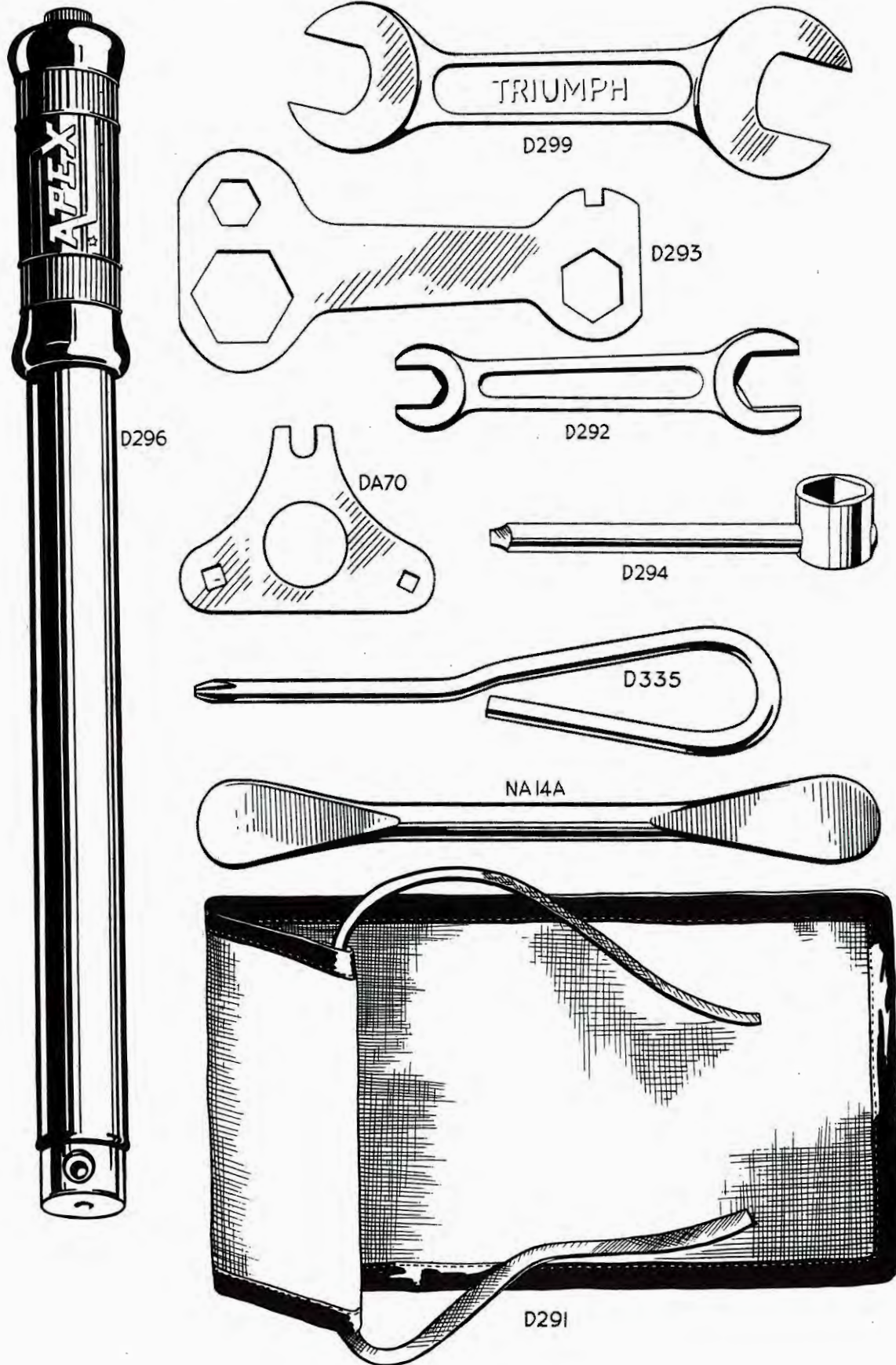


FIG. II. TOOLS.

PETROL AND OIL TANKS — GROUP 14

Illustrated on page 38

								T15	T20
PETROL TANK									
1	F3505	Tank, petrol, less fittings	1	—
2	F3963	Tank, petrol, less fittings	—	1
3	F3220	Cap, petrol tank	1	1
4	F3494	Styling band, petrol tank, L.H.	1	—
5	F4032	Styling band, petrol tank, L.H.	—	1
6	F3495	Styling band, petrol tank, R.H.	1	—
7	F4033	Styling band, petrol tank, R.H.	—	1
8	F3496	Name plate, petrol tank	2	2
9	F3497	Screw, name plate and band to tank	4	4
10	F3498	Bolt, petrol tank to frame	2	2
11	S1-51	Nut, petrol tank to frame bolt	2	2
12	S25-3	Washer, petrol tank to frame bolt	3	3
13	F3098	Clip, L.H. front bolt	1	1
14	F3506	Tap, petrol tank	1	1
15	E697	Washer, petrol tank tap joint	1	1
16	F3499	Pipe, petrol feed	1	1
17	F1605	Knee grip, petrol tank R.H.	1	1
18	F1606	Knee grip, petrol tank L.H.	1	1
OIL TANK									
19	F3464	Tank, oil, less fittings	1	1
20	F3216	Cap, oil tank	1	1
21	F3876	Filter, oil tank	1	1
22	F1511	Washer, oil tank filter joint	1	1
23	F2596	Bolt, oil tank to frame bottom	1	1
24	F3477	Distance piece, oil tank bottom	1	1

INDEX TO FIG. 12. PAGE 38.

Illust. No.	Part No.	Page No.	Ref. No.	Illust. No.	Part No.	Page No.	Ref. No.
1	F3505	37	1	10	F1605	37	17
	F3963	37	2	11	F1606	37	18
2	F3220	37	3	12	F3464	37	19
3	F3494	37	4	13	F3216	37	20
	F4032	37	5	14	F3876	37	21
4	F3495	37	6	15	F1511	37	22
	F4033	37	7	16	E3270	39	5
5	F3496	37	8	17	F3503	39	6
6	F3497	37	9	18	F3504	39	7
7	F3506	37	14	19	F3077	39	8
8	E697	37	15	20	E3244	8	33
9	F3499	37	16	21	E3383	9	3

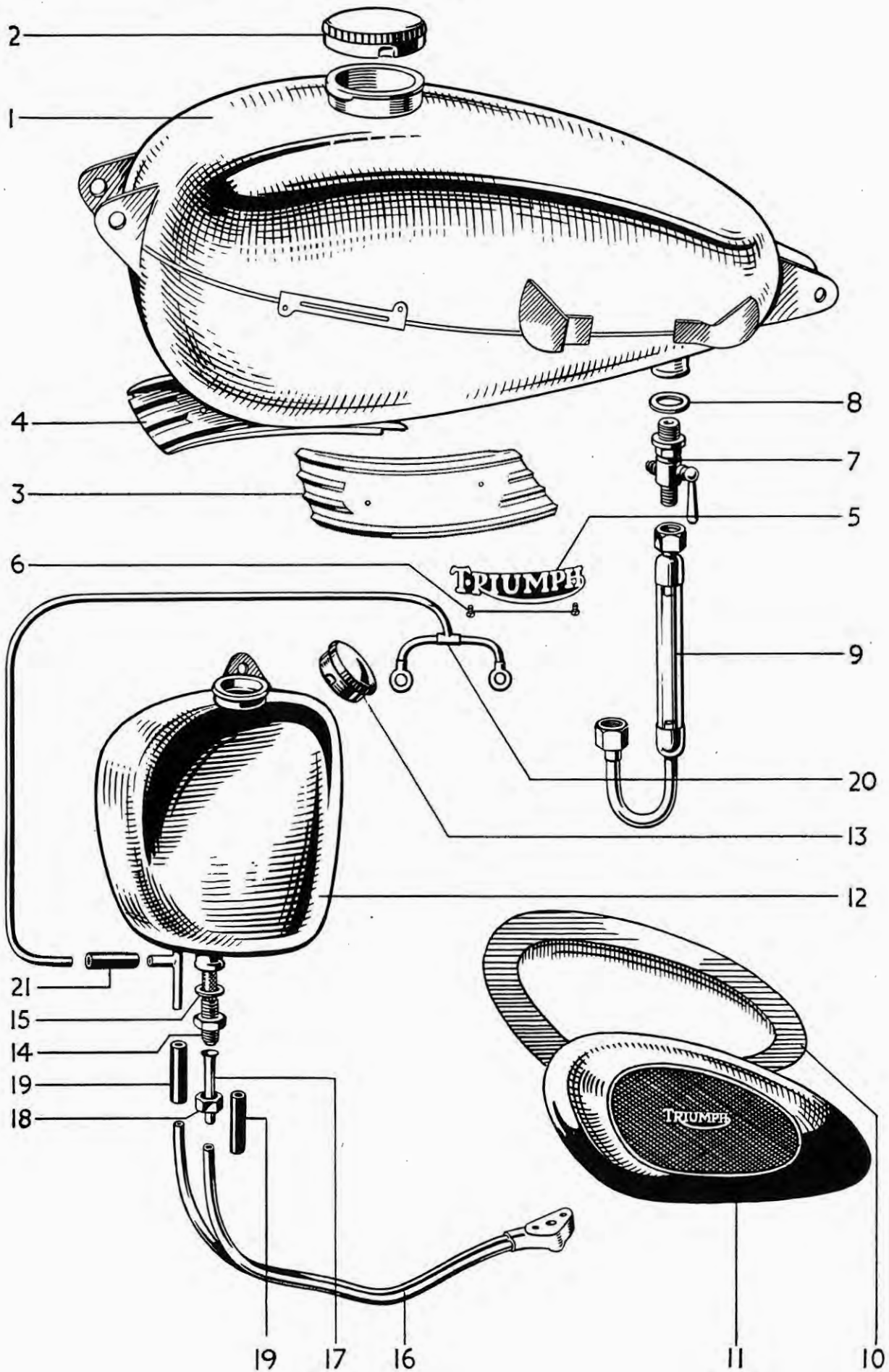


FIG. 12. PETROL AND OIL TANKS.

For Index See Page 37.

FOOTRESTS — GROUP 15

REF. No.	PART No.	DESCRIPTION	QUANTITY	
			T15	T20
1	SI-51	Nut, oil tank bolt	2	2
2	F3468	Bolt, oil tank to frame top	1	1
3	F3476	Distance piece, oil tank top	2	2
4	S25-3	Washer, oil tank top bolt	1	1
5	E3270	Pipes, oil tank to engine	1	1
6	F3503	Pipe, oil tank feed, top half	1	1
7	F3504	Nut, oil tank feed, top half union	1	1
8	F3077	Connection, oil tank feed and return pipes	2	2
9	E3274	Washer, oil pipe junction block joint	1	1
10	F879	Nut, junction block to crankcase	1	1
11	S25-13	Washer, junction block to crankcase nut	1	1
12	A3	Transfer (minimum oil level)	1	1

FOOTRESTS — GROUP 15

Illustrated on Page 20—Fig. 4

RIDER'S FOOTREST

13	F3449	Footrest L.H.	1	1
14	F3450	Footrest R.H.	1	1
15	F1695	Rubber	2	2
16	F3448	Rod, footrest hanger	1	1
17	H193	Nut, footrest hanger rod	2	2

PILLION FOOTREST

18	F3514	Footrest, pillion complete	2	2
19	F1694	Pedal, footrest	2	2
20	F1695	Rubber, footrest pedal	2	2
21	F2271	Bolt, footrest pedal pivot	2	2
22	SI-51	Nut, footrest pedal pivot bolt	2	2
23	F2277	Washer, footrest pedal pivot bolt	2	2
24	F2268	Hanger, footrest pedal	2	2
25	F3515	Stud, footrest pedal	2	2
26	P0172A	Nut, footrest pedal stud	2	2
27	S26-1	Washer, footrest pedal stud	2	2

GROUP 16 — REAR BRAKE PEDAL**GROUP 17 — HANDLEBAR**

REF. No.	PART No.	DESCRIPTION	QUANTITY
----------	----------	-------------	----------

REAR BRAKE PEDAL — GROUP 16*Illustrated on Page 20—Fig. 4*

								T15	T20
1	F3456	Pedal, rear brake	1	1
2	F3459	Spindle, rear brake pedal	1	-
3	F3933	Spindle, rear brake pedal	-	1
4	S1-51	Nut, brake pedal spindle to frame	1	1
5	S26-3	Washer, brake pedal spindle to frame	1	1
6	T224	Nut, brake pedal to spindle	1	1
7	S25-3	Washer, brake pedal to spindle	1	1
8	F3460	Rod, rear brake operating	1	1
9	F3461	Washer, rear brake rod to pedal	1	1
10	F3594	Washer, rear brake rod to pedal (for stop lamp)	1	1
11	$\frac{1}{16}'' \times \frac{1}{2}''$	Split-pin, rear brake rod to pedal	1	1
12	F3463	Adjuster, rear brake rod	1	1

HANDLEBAR — GROUP 17*Illustrated on Page 41—Fig. 13***HANDLEBAR**

13	H866	Handlebar c/w control levers and twistgrip	1	-
14	70/510	Handlebar c/w control levers and twistgrip	-	1
15	H867	Handlebar bend only	1	-
16	91/314	Handlebar bend only	-	1
17	H881	Grommet, handlebar to nacelle	2	2
18	H864	Support, handlebar to top lug	2	2
19	H865	'U' bolt, handlebar to top lug	2	2
20	F879	Nut, handlebar to top lug	4	4
21	S25-13	Washer, handlebar to top lug	4	4
22	H885	Grip, handlebar, rubber	1	-
23	16/069CE	Grip, handlebar rubber	-	1

CONTROL LEVERS

24	H879 LH.	Lever, clutch control	1	-
25	70/009 LH.	Lever, clutch control	-	1
26	H879 RH.	Lever, front brake control	1	-
27	70/009 RH.	Lever, front brake control	-	1
28	H880	Screw, lever to bracket	2	-
29	100/006	Screw, lever to bracket	-	2
30	F879	Nut, lever to bracket screw	2	-
31	18/717	Nut, lever to bracket screw	-	2
32	S26-2	Washer, lever to bracket nut	2	-
33	70/016	Washer, lever to bracket nut	-	2
34	70/005	Stop, clutch and brake cable	-	2

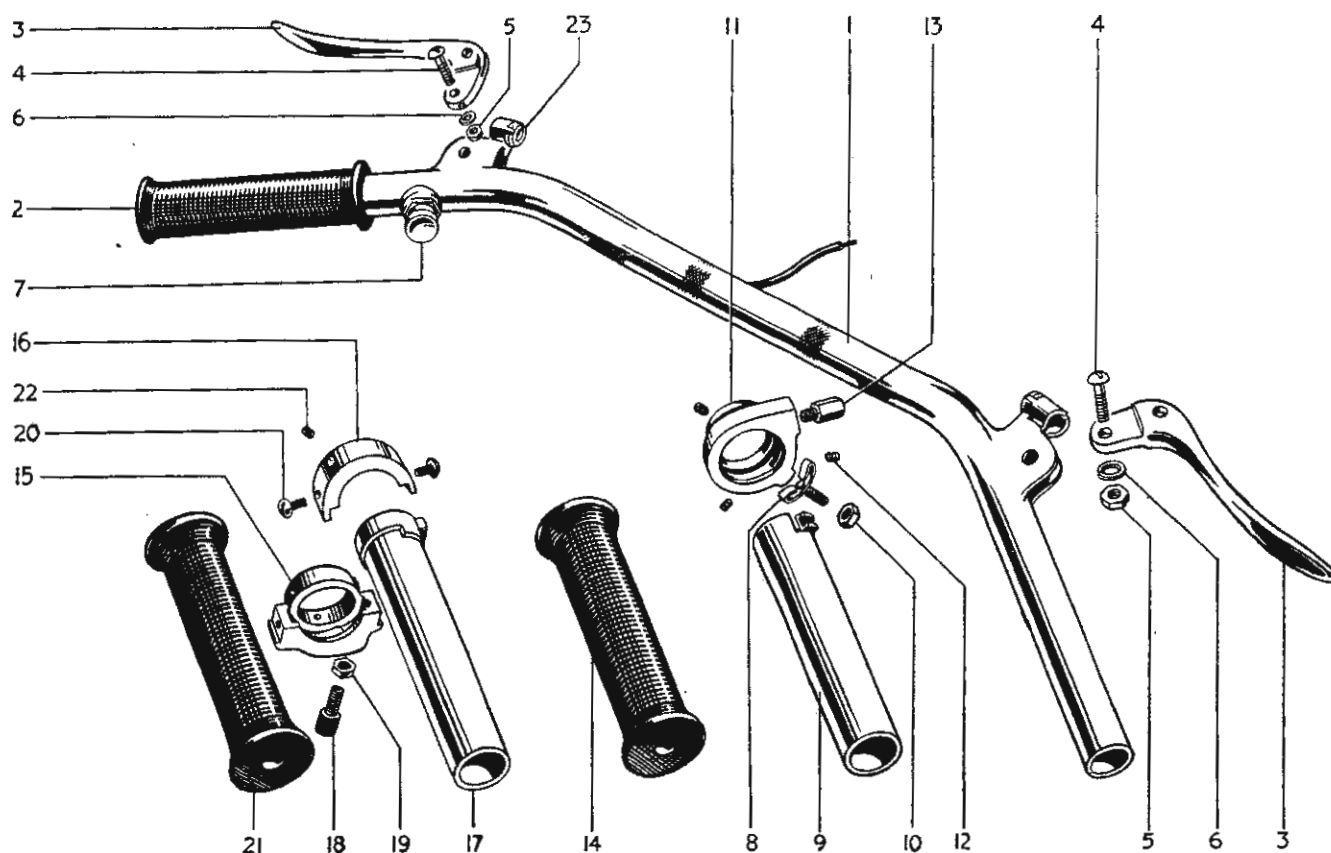


FIG. 13. HANDLEBAR AND COMPONENTS.

INDEX TO FIG. 13.

Illust. No.	Part No.	Page No.	Ref. No.	Illust. No.	Part No.	Page No.	Ref. No.
1	H867	40	15	10	16/010	42	11
	91/314	40	16	11	306/001	42	4
2	H885	40	22	12	306/003	42	6
	16/069CE	40	23	13	306/007	42	18
3	*H879	40	24/6	14	16/070	42	20
	*70/009	40	25/7	15	H905	42	3
4	H880	40	28	16	H910	42	14
	100/006	40	29	17	H909	42	12
5	F879	40	30	18	H912	42	16
	18/717	40	31	19	H913	42	17
6	S26-2	40	32	20	H911	42	15
	70/016	40	33	21	H884	42	19
7	H886	48	29	22	H906	42	5
8	306/004	42	8	23	70/005	40	34
9	306/010	42	13				

* State L.H. or R.H.

GROUP 18 — CONTROL CABLES

REF. No.	PART No.	DESCRIPTION	QUANTITY
		TWISTGRIP	T15 T20
1	H883	Twistgrip complete	1 -
2	306/1	Twistgrip complete	- 1
3	H905	Body, twistgrip	1 -
4	306/001	Body, twistgrip	- 1
5	H906	Grub screw, body fixing	3 -
6	306/003	Grub screw, body fixing	- 3
7	H907	Spring, body to rotor tension	1 -
8	306/004	Spring, body to rotor tension	- 1
9	H908	Rivet, body to rotor tension spring	1 -
10	306/005	Screw, tension spring	- 1
11	16/010	Locknut, tension spring screw	- 1
12	H909	Rotor sleeve, twistgrip	1 -
13	306/010	Rotor sleeve, twistgrip	- 1
14	H910	Clip, twistgrip body	1 -
15	H911	Screw, twistgrip body clip	2 -
16	H912	Adjuster, throttle cable... ..	1 -
17	H913	Locknut, throttle cable adjusting	1 -
18	306/007	Cable stop, twistgrip	- 1
19	H884	Grip, twistgrip rubber	1 -
20	16/070	Grip, twistgrip rubber	- 1

CONTROL CABLES — GROUP 18

FRONT BRAKE CABLE

21	D323	Cable assembly, front brake	1 1
22	D323C	Casing, front brake cable	1 1
23	D323W	Wire, front brake cable	1 1
24	D103	Ferrule, front brake cable casing	2 2
25	18/107	Nipple, front brake cable wire (Handlebar end)	1 1
26	DS.73	Nipple, front brake cable wire (Brake end)	1 1
27	D279	Adjuster, front brake cable	1 1
28	F879	Nut, front brake cable adjuster	1 1
29	D280	Clevis, front brake cable wire	1 1
30	D281	Pin, front brake cable clevis	1 1
31	$\frac{1}{16} \times \frac{1}{2}$ "	Split-pin, clevis pin	1 1

THROTTLE CABLE

32	D315	Cable assembly, throttle	1 -
33	D316	Cable assembly, throttle	- 1
34	D315C	Casing, throttle cable	1 -
35	D316C	Casing, throttle cable	- 1

REF. No.	PART No.	DESCRIPTION	QUANTITY	
			T15	T20
1	D315W	Wire, throttle cable	1	-
2	D316W	Wire, throttle cable	-	1
3	12/083	Ferrule, throttle casing	2	2
4	306/008	Nipple, throttle wire (Twistgrip)	1	-
5	D285	Nipple, throttle wire (Twistgrip)	-	1
6	1482/050	Nipple, throttle wire (Carburetter)	1	1
GEAR INDICATOR CABLE				
7	D282	Cable assembly, gear indicator... ..	1	1
8	D282C	Casing, gear indicator cable	1	1
9	D282W	Wire, gear indicator cable	1	1
10	12/083	Ferrule, gear indicator casing	2	2
11	D285	Nipple, gear indicator cable (Engine end)	1	1
12	18/115	Nipple, gear indicator casing (Indicator end)	2	2
13	E3280	Abutment, gear indicator cable c/case	1	1
14	H1019	Spring, gear indicator cable	1	1
15	D284	Adjuster, gear indicator cable	1	1
16	H745	Locknut, gear indicator cable adjuster	1	1
CLUTCH CABLE				
17	D331	Cable assembly, clutch	1	1
18	D331C	Casing, clutch cable	1	1
19	D331W	Wire, clutch cable	1	1
20	D103	Ferrule, clutch cable casing	2	2
21	18/706	Nipple, clutch wire (Handlebar end)	1	1
22	D334	Nipple, clutch cable (Clutch end)	1	1
23	D319	Adjuster, clutch cable	1	1
24	D268	Locknut, clutch cable	1	1
25	D288	Abutment, clutch cable (Handlebar end)	1	1
26	D333	Abutment, clutch cable (Clutch end)	1	1

HANDLEBAR (U.S.A. ONLY) — GROUP 19

HANDLEBAR

27	H933	Handlebar c/w control lever and Twistgrip	1	1
28	H934	Handlebar bend only	1	1
29	16/069	Grip, handlebar rubber	1	1

CONTROL LEVERS

30	18/557	Lever assembly, clutch control	1	1
31	18/556	Lever assembly, front brake control	1	1
32	18/528	Lever only, clutch and brake	2	2
33	18/234	Bracket, lever fulcrum	2	2

GROUP 20 – CONTROL CABLE (U.S.A. ONLY)

REF. No.	PART No.	DESCRIPTION	QUANTITY	
			T15	T20
1	12/040	Clamp, lever bracket	2	2
2	11/014	Screw, lever bracket to clamp	4	4
3	18/087	Screw, lever fulcrum pin	2	2
4	18/053	Nut, lever fulcrum pin	2	2

TWISTGRIP

(As listed for T20)

CONTROL CABLE (U.S.A. ONLY) – GROUP 20

FRONT BRAKE CABLE

5	D321	Cable assembly, front brake	1	1
6	D321C	Casing, front brake cable	1	1
7	D321W	Wire, front brake cable	1	1
8	D103	Ferrule, front brake casing	2	2
9	D81	Nipple, front brake wire (Handlebar)	1	1
10	DS73	Nipple, front brake wire (Clevis)	1	1
11	D279	Adjuster, front brake cable	1	1
12	F879	Locknut, front brake cable adjuster	1	1
13	D280	Clevis, front brake cable	1	1

THROTTLE CABLE

14	D317	Cable assembly, throttle	1	1
15	D317C	Casing, throttle cable	1	1
16	D317W	Wire, throttle cable	1	1
17	12/083	Ferrule, throttle cable casing	2	2
18	D285	Nipple, throttle wire (Twistgrip)	1	1
19	1482/050	Nipple, throttle wire (Carburettor)	1	1

CLUTCH CABLE

20	D332	Cable assembly, clutch	1	1
21	D332C	Casing, clutch cable	1	1
22	D332W	Wire, clutch cable	1	1
23	D103	Ferrule, clutch cable casing	2	2
24	D81	Nipple, clutch wire (Handlebar)	1	1
25	D334	Nipple, clutch wire (Gearbox)	1	1
26	D288	Abutment, clutch cable handlebar end	1	1
27	D319	Adjuster, clutch cable	1	1
28	D268	Locknut, clutch cable adjuster	1	1
29	D333	Abutment, at clutch end	1	1

NACELLE GEAR INDICATOR – GROUP 21

REF. No. PART No. DESCRIPTION QUANTITY

NACELLE GEAR INDICATOR – GROUP 21

NACELLE GEAR INDICATOR								T15	T20
1	H1020	Rack and pinion assembly	1	1
2	H689	Screw, rack and pinion to nacelle	2	2
3	H937	Spindle assembly	1	1
4	H939	Finger, indicator	1	1
5	H688	Screw, finger to spindle	1	1
6	H904	Plate, gear indicator	1	-
7	H921	Plate, gear indicator	-	1

Ancillary equipment which is fitted to our motor cycles is of the highest quality and is guaranteed by the manufacturers and not by ourselves. Any repairs or claims should be sent to the actual maker, or one of their accredited agents who will always give owners every possible assistance. The following are the addresses of the various manufacturers.

CARBURETTERS	Messrs. Amal Ltd., Holdford Road, Witton, Birmingham, 6.
CHAINS	The Renold and Coventry Chain Co. Ltd., Didsbury, Manchester.
ELECTRICAL EQUIPMENT	Messrs. J. Lucas, Ltd., Great Hampton Street, Birmingham, 18.
HORN	Messrs. Clear Hooters Ltd., Hampton Street, Birmingham, 19.
SPARKING PLUGS	Champion Sparking Plugs Ltd., Feltham, Middlesex. K.L.G. Sparking Plugs Ltd., Cricklewood Works, London, N.W.2. Lodge Plugs Ltd., Rugby, Warwickshire.
SPEEDOMETERS	Messrs. Smiths Motor Accessories Ltd., Cricklewood Works, London, N.W.2.

LUCAS ELECTRICAL EQUIPMENT – GROUP 22

REF. No. PART No.

DESCRIPTION

QUANTITY

LUCAS ELECTRICAL EQUIPMENT – GROUP 22

		ALTERNATOR (RMI3)						T15	T20
1	047518	Alternator assembly	1	1
2	47119A	Stator, complete	1	1
3	465904	Rotor	1	1
4	E3475	Grommet, alternator cable	1	1
5	E3204	Screw, alternator stator to cover	5	5
6	E1612	Washer, alternator stator to cover screw	5	5
7	E1580	Key, rotor to mainshaft...	1	1
8	465909	Nut, rotor to mainshaft	1	1
9	465910	Washer, rotor to mainshaft	1	1
		RECTIFIER (FSW I500A)							
10	47111A	Rectifier	1	1
11	F3527	Bracket, rectifier mounting	1	1
12	F929	Bolt, bracket to seat lug (front)	1	1
13	S25-3	Washer, bracket to seat lug (front)	1	1
14	DS57	Bolt, bracket to top bridge seat stays	1	1
15	F879	Nut, bracket to top bridge seat stays...	1	1
16	E1612	Washer, bracket to top bridge seat stays	1	1
17	F3600	Nut, rectifier to bracket	1	1
		IGNITION COIL (CQ6)							
18	45036A	Coil	1	1
19	DS57	Bolt, coil to mudguard	2	-
20	E1612	Washer, coil to mudguard bolt	2	-
21	F879	Nut, coil to mudguard bolt	2	-
22	F3687	Backing strip, coil to mudguard	1	-
23	414965	Sleeve, H.T. cable	1	-
24	236741	Sleeve, L.T. cable	2	-
		DISTRIBUTOR (I5DI)							
25	40529	Distributor	1	1
26	406105	Clamping plate assembly	1	1
27	421106	Contact set	1	1
28	421327	Condenser	1	1
29	421206	Cam	1	1
30	421415	Spring, auto advance	1	1
31	421407S	Weights assembly	1	1
32	421054	Shaft and action plate	1	1
33	419645	Sundry parts set	1	1
34	DS57	Bolt, lever to crankcase...	1	1
35	S25-13	Washer, lever to crankcase bolt	1	1
36	E3309	Sealing ring, distributor	1	1
		BATTERY (PU5E)							
37	408200	Battery	1	1

GROUP 22 – LUCAS ELECTRICAL EQUIPMENT

REF. No.	PART No.	DESCRIPTION	QUANTITY	
HEADLAMP (MCF 575)			T15	T20
1	51519A	Headlamp assembly	1	1
2	516723	Rim, headlamp	1	1
3	500291	Wire, light unit fixing	4	4
4	516728	Light unit	1	1
5	554946	Adaptor assembly	1	1
6	554710	Bulbholder, pilot	1	1
7	553780	Interior, pilot	1	1
8	312	Bulb, main	1	1
9	988	Bulb, pilot	1	1
10	H876	Adjuster screw, headlamp	1	1
11	H745	Locknut, adjuster screw	1	1
12	H875	Spring, adjuster screw	1	1
LIGHTING AND IGNITION SWITCH (P.R.S. 8)				
13	31443	Switch	1	1
14	318341	Key, ignition	1	1
DIPPER SWITCH				
15	380521	Switch, dipper	1	1
TAIL LAMP (529)				
16	53256A	Lamp, tail	1	1
17	526404	Lens	1	1
18	526406	Window, number plate	1	1
19	133551	Screw, fixing lens	2	2
20	161385	Grommet, screw... ..	2	2
21	554719	Bulb holder	1	1
22	526408	Base, rubber	1	1
23	951	Bulb	1	1
24	526410	Screw, lamp to number plate	3	3
25	166103	Nut, lamp to number plate	3	3
26	188366	Washer, lamp to number plate	3	3
WIRING HARNESS				
27	838121	Harness wiring	1	1
HORN (CLEAR HOOTER)				
28	D300	Horn	1	1
29	H886	Button, horn (No. 15)	1	1
30	D314	Bracket, horn	1	1

AMAL CARBURETTER – GROUP 23

REF. No. PART No.

DESCRIPTION

QUANTITY

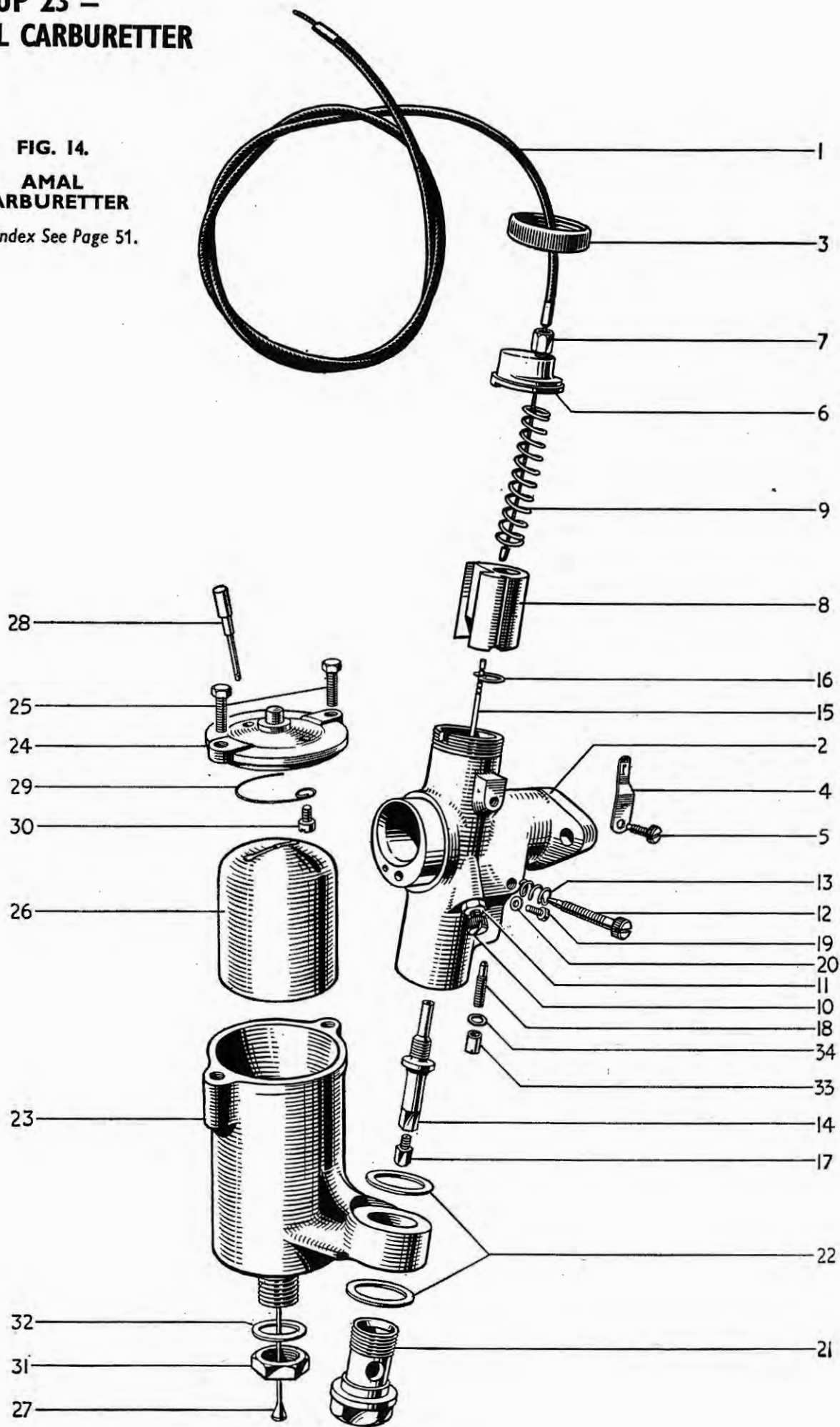
AMAL CARBURETTER – GROUP 23

Illustrated on page 50

								T15	T20
CARBURETTER									
1	332/2	Carburetter, complete	1	–
2	332/3	Carburetter, complete	–	1
MIXING CHAMBER									
3	332/023	Body, mixing chamber	1	–
4	332/001	Body, mixing chamber	–	1
5	332/012	Cap, mixing chamber	1	1
6	332/013	Spring, mixing chamber cap	1	1
7	332/014	Screw, mixing chamber cap spring and throttle locating	1	1
8	332/011	Top, mixing chamber	1	1
9	52/068	Adjuster, throttle cable...	1	1
10	332/005	Valve, throttle	1	1
11	332/021	Spring, throttle valve	1	1
12	332/018	Screw, throttle adjusting	1	1
13	332/020	Nut, throttle adjusting screw	1	1
14	332/017	Screw, air adjusting	1	1
15	4/148	Spring, air adjusting screw	1	1
16	332/002	Jet for needle	1	1
17	332/003	Needle for jet	1	1
18	332/004	Clip, jet needle	1	1
19	4/042	Jet, main (size 90)	1	–
20	4/042	Jet, main (size 100)	–	1
21	376/076	Jet, pilot (size 20)	1	1
22	332/026	Nut, pilot jet cover	1	1
23	116/162	Washer, cover nut	1	1
24	333/016	Screw, mixing chamber plug	1	1
25	14/189	Washer, plug screw	1	1
26	4/043	Bolt, holding	1	1
27	4/053	Washer, holding bolt	1	1
FLOAT CHAMBER									
28	3EB	Float chamber complete	1	1
29	62/214	Body, float chamber	1	1
30	62/212	Cover, float chamber complete	1	1
31	62/204	Screws, float chamber cover	2	2
32	22/016	Float	1	1
33	22/013	Needle, float	1	1
34	62/207	Tickler	1	1
35	352/208	Spring, tickler	1	1
36	352/207	Screw, tickler spring fixing	1	1
37	14/178	Locknut, seating	1	1
38	14/175	Washer, seating locknut	1	1

GROUP 23 - AMAL CARBURETTOR

FIG. 14.
AMAL
CARBURETTOR
For Index See Page 51.



SPEEDOMETER — GROUP 24

REF. No.	PART No.	DESCRIPTION	QUANTITY
CARBURETTER FIXINGS (TRIUMPH)			
			T15 T20
1	E3254	Block, insulating carb to head	1 1
2	E3250	Joint washer, carb to head	2 2
3	F879	Nut, carburetter flange	2 2
4	S25-13	Washer, carburetter flange nuts	2 2

SPEEDOMETER — GROUP 24

5	80421/16/2	Speedometer 70 m.p.h.—NON TRIP	1 —
6	80421/36/2	Speedometer 80 m.p.h.—NON TRIP	— 1
7	80421/17/2	Speedometer 120 k.p.h.—NON TRIP	1 —
8	80421/37/2	Speedometer 140 k.p.h.—NON TRIP	— 1
9	31/4/2/1	Fixing strap, speedometer to nacelle	1 1
10	31/1/7	Nut, fixing strap	1 1
11	D286	Cable assembly speedometer drive, 49½" long (53395)	1 1
12	D286C	Casing, speedometer drive (53398)	1 1
13	D286W	Wire, speedometer drive (52108/1)	1 1
14	D175	Gearbox, speedometer drive (52283/64/3)	1 1

INDEX TO FIG. 14. PAGE 50.

Illust. No.	Part No.	Page No.	Ref. No.	Illust. No.	Part No.	Page No.	Ref. No.
1	*D315	42	32	17	4/042 (90)	49	19
	*D316	42	33		4/042 (100)	49	20
2	332/023	49	3	18	376/076	49	21
	332/001	49	4	19	333/016	49	24
3	332/012	49	5	20	14/189	49	25
4	332/013	49	6	21	4/043	49	26
5	332/014	49	7	22	4/053	49	27
6	332/011	49	8	23	62/214	49	29
7	52/068	49	9	24	62/212	49	30
8	332/005	49	10	25	62/204	49	31
9	332/021	49	11	26	22/016	49	32
10	332/018	49	12	27	22/013	49	33
11	332/020	49	13	28	62/207	49	34
12	323/017	49	14	29	352/208	49	35
13	4/148	49	15	30	352/207	49	36
14	332/002	49	16	31	14/178	49	37
15	332/003	49	17	32	14/175	49	38
16	332/004	49	18	33	332/026	49	22
				34	111/162	49	23

* See Page 44 for U.S.A. Throttle Cable Details

GROUP 25 – SPARKING PLUG**GROUP 26 – TWINSEAT****GROUP 27 – CHAINS**

REF. No. PART No.

DESCRIPTION

QUANTITY

SPARKING PLUG – GROUP 25

								T15	T20
1	HN	Plug, sparking (Lodge)	1	1
2	F80	Plug (single point), sparking (K.L.G.)	1	1
3	L10S	Plug, sparking (Champion)	1	1
4	D297	Cover, sparking plug	1	1

TWINSEAT – GROUP 26

5	F3946	Twinseat c/w attachments	1	1
6	F3863	Twinseat, only	1	1
7	F3948	Bracket, twinseat centre	1	1
8	F3865	Bracket, twinseat rear	1	1
9	F879	Nut, centre and rear bracket to pan	4	4
10	E1612	Washer, bracket nuts	4	4
11	F3536	Stud, centre bracket to frame	2	2
12	W76	Nut, frame stud	2	2
13	S26-1	Washer, frame stud nuts	2	2
14	E667A	Bolt, front bracket to frame	1	1
15	S26-3	Washer, front bracket bolt	1	1
16	SI-51	Nut, front bracket bolt	1	1
17	F3866	Stud, rear bracket to mudguard	2	2
18	F879	Nut, rear bracket to stud	2	2
19	E1612	Washer, stud nut	2	2
20	F3949	Valance, coil	-	1
21	H713	Screw, valance to centre bracket	-	4
22	E2338	Washer, valance screw	-	4
23	H691	Nut, valance screw	-	4
24	DS57	Bolt, coil to pan	-	2
25	E1612	Washer, coil to pan	-	2

CHAINS – GROUP 27

26	D276	Chain, primary I10038, $\frac{3}{8}$ in. \times $\frac{7}{32}$ in. \times 62 links	1	-
27	D338	Chain, primary I10044, $\frac{1}{2}$ in. \times $\frac{3}{16}$ in. \times 48 links	-	1
28	D277	Chain, rear I10044, $\frac{1}{2}$ in. \times $\frac{3}{16}$ in. \times 112 links	1	-
29	D341	Chain, rear I10044, $\frac{1}{2}$ in. \times $\frac{3}{16}$ in. \times 116 links	-	1

GUARANTEE

WE give the following guarantee with our motorcycles, motorcycle combinations and sidecars, including all accessories and component parts other than tyres, saddles, chains and lighting and electrical equipment, and other than accessories and component parts supplied to the order of the Purchaser and differing from those comprised in the standard specifications supplied with our motorcycles, motorcycle combinations and sidecars, but including accessories and parts supplied by way of exchange as hereinafter provided. This guarantee is given in place of any implied conditions or warranties or any liabilities whatsoever statutory or otherwise; no guarantee except that hereinafter contained and no conditions or warranty whatsoever statutory or otherwise is given or is to be implied, nor are we to be under any liability whatsoever except under the guarantee hereinafter contained. Any statement, description, condition or representation contained in any catalogue, advertisement, leaflet or other publication shall not be construed as enlarging, varying or overriding anything herein contained. In the case of machines (a) which have been used for "hiring out" purposes or (b) any motorcycle and/or sidecar used for any dirt track, cinder track or grass track racing or competitions (or any competition of any kind within an enclosure for which a charge is made for admission to take part in or view the competition) or (c) machines from which the trade mark, name or manufacturing number has been altered or removed or (d) any machines in which parts have been used not supplied by or approved by the motorcycle manufacturer or (e) any machine from which the silencing system as fitted by the manufacturer has been partially or wholly removed or interfered with, no guarantee, condition or warranty of any kind statutory or otherwise, is given or is to be implied, nor are we to be under any liability whatsoever in respect of any such machine. We guarantee, subject to the conditions mentioned below, that all precautions which are usual and reasonable have been taken by us to secure excellence of materials and workmanship but this guarantee is to extend and be in force for six months only in U.K. and ninety days overseas from date of purchase, or date of exchange in case of any accessory or part supplied by way of exchange as hereinafter provided, and damages for which we make ourselves responsible under this guarantee are limited to the free repair of or supply of a new part or accessory in exchange for the part of the motorcycle, motorcycle combination or sidecar or accessory which may have proved defective. We undertake, subject to the conditions mentioned below, to make good in manner aforesaid any part or accessory covered by this guarantee which has proved defective within the said period. We do not undertake to replace or refix or bear the cost of replacing or refixing any such new part or accessory in the motorcycle, motorcycle combination or sidecar. As motorcycles, motorcycle combinations and sidecars are easily liable to derangement by neglect or misuse, this guarantee does not apply to defects caused by wear and tear, misuse or neglect. The term "misuse" shall include, amongst others, the following acts: 1. The attaching of a sidecar to a motorcycle in such a manner as to cause damage or calculated to render the latter unsafe when ridden. 2. The use of a motorcycle or of a motorcycle and sidecar combined, when carrying more persons or a greater weight than that for which the machine was designed by the manufacturers. 3. The attaching of a sidecar to a motorcycle by any form of attachment not provided, supplied or approved by the manufacturers, or to a motorcycle which is not designed for such use. We do not guarantee tyres, saddles, chains or lighting and electrical equipment, or any accessories or component parts supplied to the order of the Purchaser differing from those comprised in the standard specifications supplied with our motorcycle combinations or sidecars. As regards all such tyres, saddles, chains, lighting and electrical equipment, accessories and component parts, no guarantee, condition or warranty of any kind statutory or otherwise is given or is to be implied, and we are to be under no liability whatsoever in respect thereof.

CONDITIONS OF GUARANTEE

If a defective part or accessory should be found in our motorcycles, motorcycle combinations or sidecars, or in any part or accessory supplied by way of exchange as before provided, it must be sent to us **CARRIAGE PAID** and accompanied by an intimation from the owner that he desires to have it repaired or exchanged free of charge under our guarantee, and he must also furnish us at the same time with the frame number of the machine, the date of purchase or the date when the alleged defective part or accessory was exchanged as the case may be. Failing compliance with the above, such articles will lie here at **THE RISK OF THE OWNER**, and this guarantee and any implied guarantee, warranty or condition shall not be enforceable.

REPAIRS

Any motorcycle, motorcycle combination or sidecar sent to us to be plated, enamelled or repaired will be repaired upon the following conditions, *i.e.*, we guarantee that all precautions which are usual and reasonable have been taken by us to secure excellence of materials and workmanship, such guarantee to extend and be in force for three months only from the time such work shall have been executed, and this guarantee is in lieu and in exclusion of all conditions and warranties statutory or otherwise, and all liabilities whatsoever and the damages recoverable are limited to the cost of any further work which may be necessary to amend and make good the work found to be defective.

NOTE

We do not appoint agents for the sale on our behalf of our motorcycles or other goods, but we assign to motorcycle Dealers areas in which we supply to such Dealers exclusively for re-sale in such areas. No such Dealer is authorised to transact any business, give any warranty, make any representation or incur any liability on our behalf. Published retail prices are for delivery free of charge at Dealers' premises. All goods are offered for sale subject to the price ruling at time of delivery. We reserve the right to modify or deviate from the published specification.

TRIUMPH SERVICE

There are Triumph distributors and dealers in all parts of the world who carry adequate stocks of Triumph parts and who are ready at all times to help and advise owners of Triumph motorcycles.

INDEX

	<i>Page No.</i>
Group 1—CARTON PACKS	5
Group 2—ENGINE	7
Crankcase... ..	9
Crankcase bearings (engine)	9
Crankcase filter	12
Cylinder barrel	7
Cylinder head	7
Engine sprocket	13
Flywheels and connecting rod	9
Gasket set	13
Inner cover drive side	12
Inner cover timing side	13
Oil pump	12
Overhead rocker, covers, etc.	8
Outer cover drive side	13
Outer cover timing side	13
Piston	7
Push rods and cover	8
Rocker oil pipe and fittings	8
Tappets	8
Timing gears and camshaft	12
Valves, guides, springs, etc.	8
Group 3—GEARBOX AND CLUTCH	14
Camplate	14
Clutch	16
Clutch control	18
Footchange mechanism	14
Filler, level and drain plugs	16
Gearbox casing bearings	15
Gearbox sprocket	16
Kickstarter	16
Selector forks and spindle	14
Shafts and gears	14
Group 4—EXHAUST SYSTEM	18
Exhaust pipe	18
Silencer	18
Group 5—FRAME	19
Frame	19
Rear suspension	19
Group 6—STAND	19
Centre stand	19
Prop stand	19

											Page No.
Group 7—TELESCOPIC FRONT FORK	24
Front fork	24
Steering races	25
Licence holder	25
Group 8—WHEELS	27
Front wheel	27
Front wheel brake	27
Rear wheel	29
Rear wheel brake	30
Rear wheel chain adjuster	30
Group 9—MUDGUARDS	31
Front mudguard	31
Rear mudguard	31
Group 10—NUMBER PLATES	33
Front number plate	33
Rear number plate	33
Group 11—REAR CHAINGUARD	34
Group 12—TOOLBOX, BATTERY AND AIR CLEANER ASSEMBLY	34
Group 13—TOOLS	35
Group 14—PETROL AND OIL TANKS	37
Oil tank	37
Petrol tank	37
Group 15—FOOTRESTS	39
Rider's footrest	39
Pillion footrest	39
Group 16—REAR BRAKE PEDAL	40
Group 17—HANDLEBAR AND FITTINGS	40
Control levers	40
Handlebar	40
Twistgrip	42

Group 18—CONTROL CABLES	42
Clutch cable	43
Front brake cable	42
Gear indicator cable	43
Throttle cable	42

Group 19—HANDLEBAR AND FITTINGS (U.S.A. ONLY)	43
Control levers	43
Handlebar	43
Twistgrip	44

Group 20—CONTROL CABLES (U.S.A. ONLY)	44
Clutch cable	44
Front brake cable	44
Throttle cable	44

Group 21—NACELLE GEAR INDICATOR	45
--	-----	-----	-----	-----	-----	-----	-----	-----	-----	----

PROPRIETARY FITTINGS

Group 22—LUCAS ELECTRICAL EQUIPMENT	47
--	-----	-----	-----	-----	-----	-----	-----	-----	-----	----

Group 23—AMAL CARBURETTER	49
Carburetter	49
Carburetter fixings (Triumph)...	51
Mixing chamber	49
Float chamber	49

Group 24—SPEEDOMETER	51
-----------------------------	-----	-----	-----	-----	-----	-----	-----	-----	-----	----

Group 25—SPARKING PLUG	52
-------------------------------	-----	-----	-----	-----	-----	-----	-----	-----	-----	----

Group 26—TWINSEAT	52
--------------------------	-----	-----	-----	-----	-----	-----	-----	-----	-----	----

Group 27—CHAIN GROUP	52
-----------------------------	-----	-----	-----	-----	-----	-----	-----	-----	-----	----

INDEX TO ILLUSTRATIONS

	Page No.
Fig. 1. Engine and gearbox unit	10
„ 2. Mainshaft and layshaft gears	15
„ 3. Clutch and shock absorber unit... ..	17
„ 4. Frame and components	20
„ 5. Rear suspension	21
„ 6. Telescopic front fork	22
„ 7. Front wheel	26
„ 8. Rear wheel... ..	28
„ 9. Mudguard, number plates and rear chainguard	32
„ 10. Toolbox, battery carrier and air cleaner	35
„ 11. Tools	36
„ 12. Petrol and oil tanks	38
„ 13. Handlebar and components	41
„ 14. Amal carburetter	50

To assist the owner and dealer in identifying requirements, this book contains numerous exploded views of the major assemblies. Each component part on the illustration is numbered, and by cross reference to the appropriate index, the part number of the component will be found. Against each part number a page and reference number is shown and by referring to the appropriate page, the full description of the part will be found against the reference number.

EXAMPLE.

To find the part number of the cylinder head gasket :

1. Refer to the illustration index above, where it will be found that the engine is illustrated on page 10.
2. Note that the number of the gasket in the illustration is 9.
3. Refer to the index on page 11.
4. Note that illustration number 9 is part number E3217 listed on page 7, line 26.

*Tournez s'il vous plait.
Véase al dorso.
Bitte wenden.*