

REPLACEMENT PARTS

FOR THE

TRIUMPH
Terrier

MOTORCYCLE

Commencing
Engine No.
T15-101

TRIUMPH ENGINEERING COMPANY LTD.
MERIDEN WORKS, ALLESLEY
COVENTRY

Telephone
Meriden 331

Issue No. 1
Published October 1953

PREFACE

BEFORE ordering parts for your machine, please read very carefully the instructions contained in the next paragraph. In many cases the information given in the order is insufficient to enable us to identify the customers' requirements with certainty. Delay is frequently occasioned by our having to refer the order back for further particulars before we can supply.

HOW TO ORDER. Every part is indicated by a number and this should be quoted together with the description. In order to assist customers, parts where possible have been listed in order of assembly and exploded illustrations show the assembly order also. By each illustration, is an index quoting the part numbers of the various items and a cross reference to enable the customer to recognise the part by description (See page 55 for further details). With these aids there should be no difficulty in identifying the parts you require. Always quote the engine number and prefix letter stamped on the left hand (drive side) of the crankcase below the cylinder base flange. Always use a separate sheet of writing paper for your order if you are sending a letter as well.

SPECIMEN ORDER

1/7/53

To Triumph Engineering Co. Ltd.,
Meriden Works,
Allesley,
Coventry.

Engine No. T.15-9231

Please supply :—

1 — GST15/53 — Gasket Set
1 — E3146 — Valve, Inlet

* Send C.O.D.

Wm. Smith,
1a, Ewell Avenue,
Ewell, Surrey.

* For terms of business see page 3

TELEGRAPHIC ORDERS. Orders by telegram should be addressed to "Trusty 60221 Coventry." They are then telephoned to us, which prevents delay in delivery. It is only necessary to quote part numbers in telegraphic orders, the description can be omitted.

PATTERNS AND PARTS FOR REPAIR. It is not necessary to send patterns if the part number is quoted. The sending of patterns often delays the order as parcel post or rail takes longer than letter post.

Parts sent to Coventry for repair, replacement or as patterns, should bear the sender's name and address and clear instructions should accompany the parts. All parts must be forwarded carriage paid and care should be taken to ensure that all remittances are sent separately and not enclosed with the parts. Fragile units such as cylinders, etc., should always be boxed to avoid damage in transit. Complete machines should have all fitments such as horns, driving mirrors, tools, etc., removed by the sender before despatch, as it is impossible for us to accept responsibility in the event of loss in transit. We are always pleased to give estimates for overhauls and repairs, but should an estimate not be accepted, a charge will be made covering cost of dismantling and re-assembling, if carried out.

All communications relating to spare parts, repairs, replacements and general service, should be addressed to the Triumph Engineering Co. Ltd., Meriden Works, Allesley, Coventry, and in order to facilitate quick reference, the quoting of any order number, invoice number or reference from previous communications is of essential importance. **Accessories not of our manufacture should be sent direct to the actual makers, whose names and addresses appear on page 43.**

WHERE TO OBTAIN. Triumph Spare Parts may be obtained from any Triumph Dealer, and we recommend our customers to place their orders with the Triumph Dealer in their district, as we do not normally supply direct. When parts not usually asked for are required, and for which the Dealer may have to wire or obtain specially, the postage or carriage incurred becomes payable.

We are not able to supply Transfers as originally affixed to Triumph Motor Cycles, but we are at all times willing to supply a Transfer denoting that the machine is of genuine Triumph manufacture, providing the Frame and Engine prefix letters and numbers are quoted.

Customers are warned against the risk incurred by purchasing parts which are not of genuine Triumph manufacture. The risk is eliminated if parts are ordered as instructed, either from our recognised Dealers, or direct from the Service Department, Meriden Works, Allesley, Coventry.

TERMS OF BUSINESS

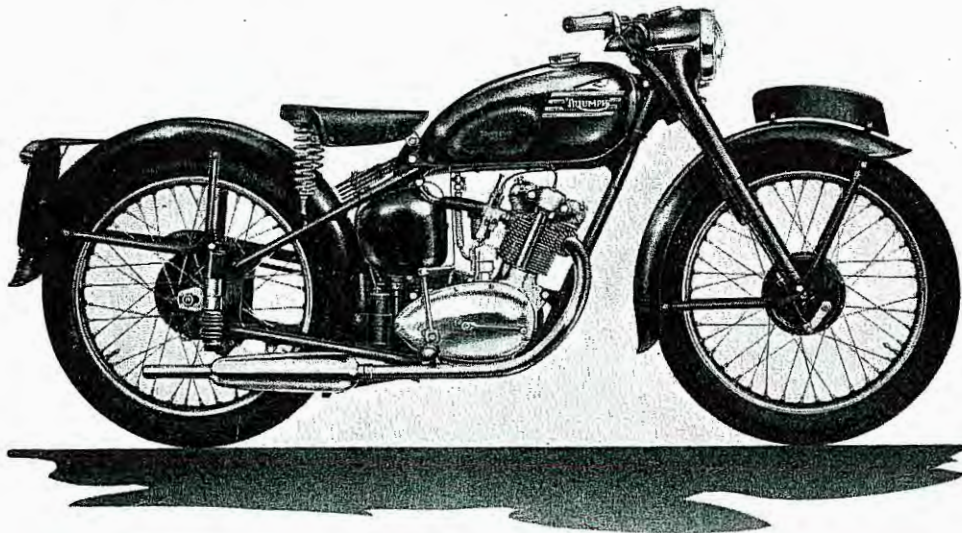
THE most convenient method of paying for spare parts is by the C.O.D. system. By this method you pay the postman for the goods when he delivers them to you. As the minimum C.O.D. collection fee is 10d., only goods to the value of 2/- or over can be sent by this system. We do not despatch goods by rail C.O.D.

Where goods are not sent C.O.D., cash must accompany the order. All remittances should be made payable to the Triumph Engineering Co., Ltd., and crossed "Barclay's Bank Ltd.", if in the form of Postal Order or Cheque. Letters containing currency notes must be registered.

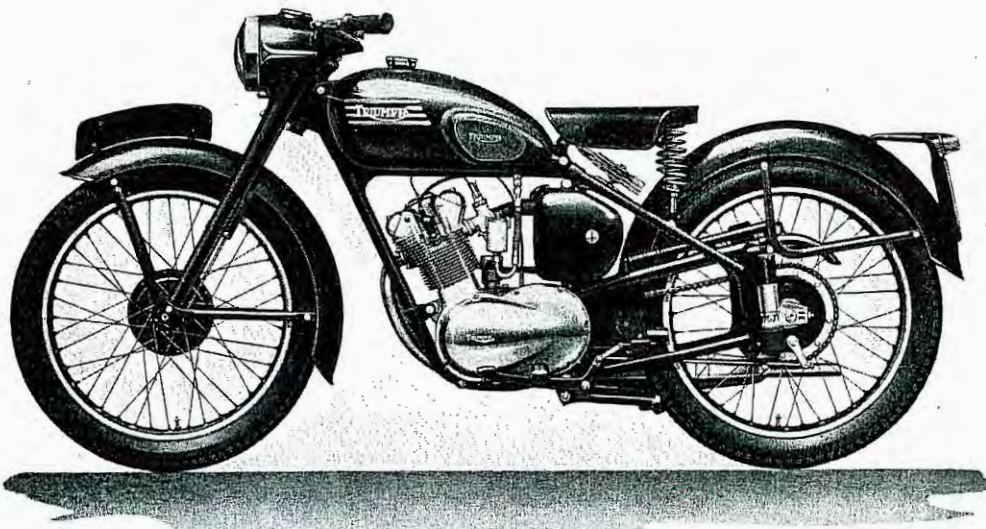
Should a remittance be forwarded by telegraphic money order, the name and address of the sender must be inserted in the space provided on the Post Office requisition form for a private message from remitter to payee. Unless this is complied with the Post Office omit such information from the telegram and we are not then in a position to trace the sender.

Postage, carriage and packing is charged at 2½% on the value of the goods, minimum charge 6d. Packing boxes, cases, crates, etc., are charged for at cost and are returnable.

TRIUMPH
Ferrier



RIGHT HAND SIDE



LEFT HAND SIDE

CARTON PACK – GROUP I

CARTON PACK – GROUP I

The following sub-assemblies are supplied in carton packs under the C.P. part number stated. The contents of these carton packs are preserved and will not deteriorate under adverse conditions.

<i>Part No.</i>	<i>Description and Contents</i>						
Big End Assembly							
CP.125 ...	1	E.3163	Connecting rod assembly
	1	E.3291	Crankpin
	15	E.3162	Rollers
CP.126	1	E.3165	Bush, big end
Export only ...	1	E.1762	Bush, small end
	1	E.3291	Crankpin
	15	E.3162	Rollers
Brake linings							
CP.128 ...	2	W.978	Linings
	14	W.979	Rivets
Clutch Inserts							
CP.127 ...	20	T.1127	Cork insert, sprocket
	20	NT.288	Cork insert, plate
Piston Assembly							
CP.120 ...	1	E.3148	Piston body
	2	E.3153	Ring, compression
	1	E.3154	Ring, scraper
	1	E.1750	Pin, gudgeon
	2	E.1767	Circlip
CP.120/20 ...	1	E.3148/20	Piston body + .020"
	2	E.3153/20	Ring, compression
	1	E.3154 20	Ring, scraper
	1	E.1750	Pin, gudgeon
	2	E.1767	Circlip
CP.120/40 ...	1	E.3148/40	Piston body + .040"
	2	E.3153/40	Ring, compression
	1	E.3154/40	Ring, scraper
	1	E.1750	Pin, gudgeon
	2	E.1767	Circlip

GROUP I – CARTON PACK

<i>Part No.</i>							<i>Description and Contents</i>	
Piston Rings								
CP.121	...	2	E.3153	Ring, compression
		1	E.3154	Ring, scraper
CP.121/20	...	2	E.3153/20	Ring, compression + .020"
		1	E.3154/20	Ring, scraper
CP.121/40	...	2	E.3153/40	Ring, compression + .040"
		1	E.3154/40	Ring, scraper
Rear Suspension Spring Set								
CP.130	...	2	F.3425	Spring, main
		2	F.3426	Spring, rebound
Steering Races								
CP.129	...	2	H.835	Cup, steering race
		2	H.833	Cone, steering race
		30	S70-3	Ball, steering race
Valves								
CP.124	...	1	E.3146	Valve, inlet
		1	E.3147	Valve, exhaust
Valve Guides								
CP.122	...	2	E.3208	Valve guide, inlet and exhaust
		2	E.3209	Circlip
Valve Springs								
CP.123	...	2	E.3214	Spring, valve inner
		2	E.3215	Spring, valve outer

For Indexes see Pages 52 to 55

ENGINE — GROUP 2

REPLACEMENT PARTS

REF. No. PART No. DESCRIPTION QUANTITY

ENGINE — GROUP 2

Illustrated on Page 10—Fig. 1

CYLINDER BARREL

1	E3142	Barrel, cylinder ...	1
2	E3216	Washer, cylinder base ...	1

PISTON

3	CP120 *	Piston, c/w rings, gudgeon pin, etc. ...	1
4	E3148	Piston, body only (standard) ...	1
5	E3148/20	Piston, body only + .020" ...	1
6	E3148/40	Piston, body only + .040" ...	1
7	E3153	Ring, compression ...	2
8	E3153/20	Ring, compression + .020" ...	2
9	E3153/40	Ring, compression + .040" ...	2
10	E3154	Ring, scraper ...	1
11	E3154/20	Ring, scraper + .020" ...	1
12	E3154/40	Ring, scraper + .040" ...	1
13	E1750	Pin, gudgeon ...	1
14	E1767	Circlip, gudgeon pin ...	2

* For Contents and Oversizes see page 5.

CYLINDER HEAD

15	E3143	Head, cylinder c/w guides and adaptor ...	1
16	E3217	Gasket, cylinder head ...	1
17	E3207	Adaptor, cylinder head exhaust ...	1
18	E3210	Stud, rocker inspection cover ...	2
19	E1987	Stud, cylinder head to carburetter ...	2
20	E3230	Nut, cylinder head to barrel ...	4
21	E1719A	Washer, cylinder head to barrel ...	4

VALVES, GUIDES, SPRINGS, ETC.

22	E3146	Valve, inlet ...	1
23	E3147	Valve, exhaust ...	1
24	E3208	Guide, inlet and exhaust ...	2
25	E3209	Circlip, inlet and exhaust guide ...	2

GROUP 2 – ENGINE

REF. No.	PART No.	DESCRIPTION	QUANTITY
1	E3214	Spring, valve inner	2
2	E3215	Spring, valve outer	2
3	E3301	Collar, valve spring top	2
4	E3213	Cup, valve spring bottom	2
5	WE259A	Cotter, valve split	4
OVERHEAD ROCKERS, COVERS, ETC.			
6	E3251	Rocker, inlet	1
7	E3252	Rocker, exhaust	1
8	E3222	Ball pin, rocker	2
9	E3223	Adjuster, rocker	2
10	GS662	Locknut, rocker adjuster pin	2
11	E3225	Spindle, rocker inlet and exhaust	2
12	E3253	Sealing ring, rocker spindle	2
13	E2534	Thrust washer, rocker spindle D.S.— $\frac{7}{16}$ "	2
14	E2594	Thrust washer, rocker spindle T.S.— $\frac{3}{8}$ "	2
15	E3224	Thackeray washer, rocker spindle (spring)	2
16	E3227	Cover, rocker inlet inspection	1
17	E3228	Cover, rocker exhaust inspection	1
18	E3226	Washer, rocker cover joint	2
19	E3290	Nut, rocker cover to head	2
20	E2441	Washer, rocker cover to head nut	2
PUSH RODS AND COVER			
21	E3235	Rod, push	2
22	E3238	Cover, push rod	1
23	E3172	Peg, cover to crankcase locating	1
24	E3243	Washer, push rod cover joint (upper)	1
25	E2425	Washer, push rod cover joint (lower)	1
TAPPETS			
26	E3285	Tappet	2
ROCKER OIL PIPE AND FITTINGS			
27	E3244	Pipe, rocker oil	1
28	H400	Nut, rocker oil pipe to spindle	2
29	E1335	Washer, rocker oil pipe inner joint	2
30	E3249	Washer, rocker oil pipe outer joint	2
31	E1947	Connection, oil tank to oil pipe (Rubber)	1

ENGINE — GROUP 2

REF. No.	PART No.	DESCRIPTION	QUANTITY
FLYWHEELS AND CONNECTING ROD			
1	E3155	Flywheels and connecting rod assembly	1
2	E3156	Flywheel D.S. c/w mainshaft	1
3	E3160	Flywheel T.S.	1
4	E3158	Mainshaft D.S.	1
5	E1580	Key, mainshaft D.S. to flywheel	1
6	E3159	Nut, mainshaft D.S.	1
7	E3172	Peg, flywheel T.S.	1
8	E3163	Rod, connecting c/w bushes	1
9	E3165	Bush, big end	1
10	E1762	Bush, small end	1
11	E3291	Crankpin, c/w plug	1
12	E3292	Plug, crankpin	1
13	E3162	Roller, crankpin	15
CRANKCASE			
14	E3166	Crankcase assembly, c/w bushes	1
15	E3170	Stud, crankcase to cylinder head	4
16	E3171	Stud, crankcase to oil junction block	1
17	T989	Dowel, crankcase T.S., to inner cover (hollow)	2
18	E3169	Dowel, crankcase to oil junction block	1
19	E3167	Pipe, crankcase oil return	1
20	E3168	Clip, crankcase oil return pipe	1
21	T1076	Screw, crankcase oil return pipe	1
		Pin, split, $\frac{1}{16}$ " diameter	1
CRANKCASE BEARINGS (ENGINE)			
22	E3173	Bearing, T.S. (Plain)	1
23	E3175	Bush, camshaft	1
24	E3187	Bush, distributor and oil pump shaft	1
CRANKCASE FILTER			
25	E3177	Filter, crankcase	1
26	E3176	Spring, crankcase filter	1
27	E3302	Washer, crankcase filter spring	1
28	E1564	Cap, crankcase filter	1
29	E1577	Washer, crankcase filter joint	1

GROUP 2 - ENGINE

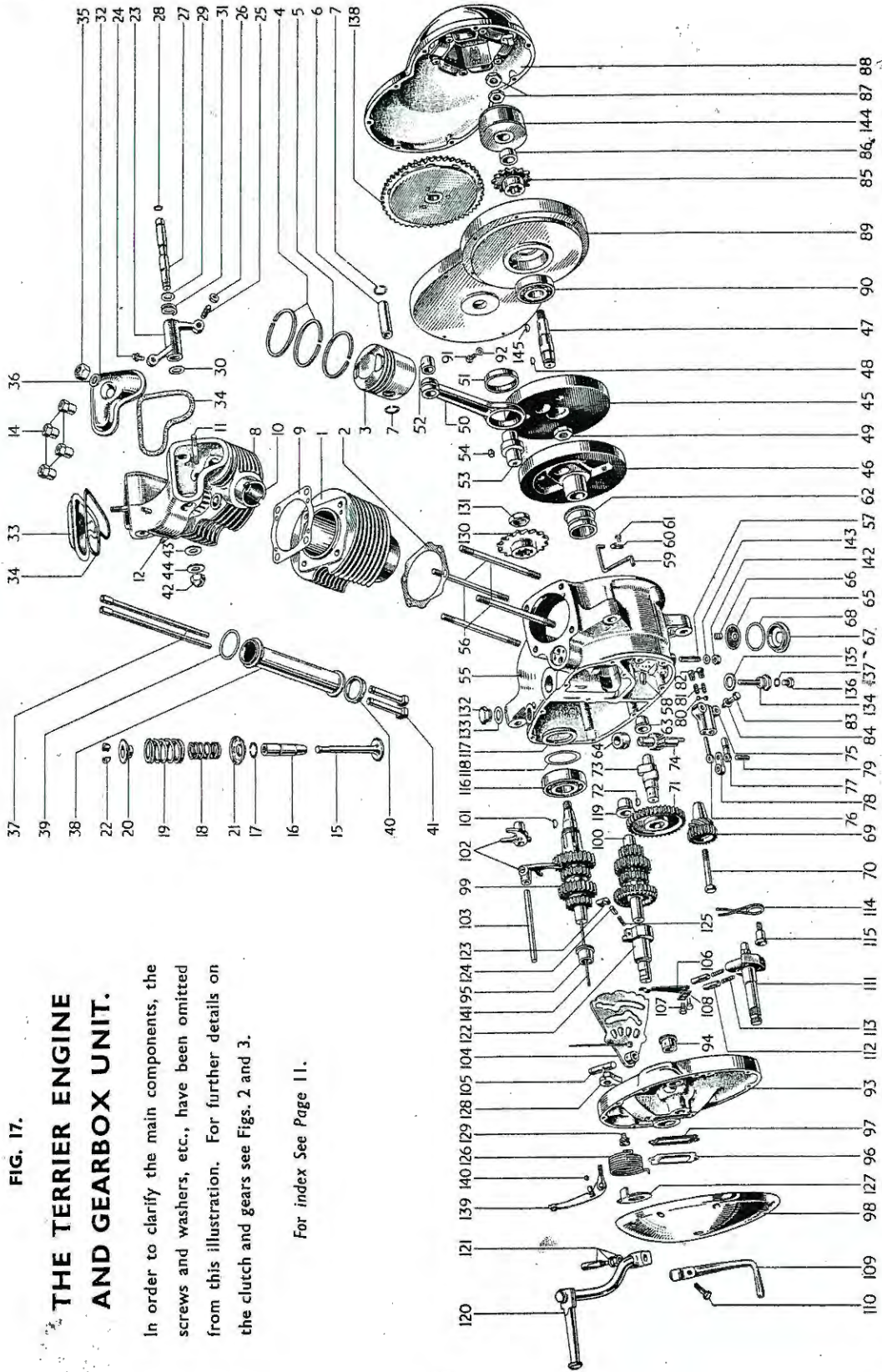


FIG. 17.

THE TERRIER ENGINE AND GEARBOX UNIT.

In order to clarify the main components, the screws and washers, etc., have been omitted from this illustration. For further details on the clutch and gears see Figs. 2 and 3.

For index See Page 11.

ENGINE - GROUP 2

INDEX TO FIG. 1 -- PAGE 10

Illust. No.	Part No.	Page No.	Ref. No.	Illust. No.	Part No.	Page No.	Ref. No.	Illust. No.	Part No.	Page No.	Ref. No.
1	E3142	7	1	48	E1580	9	5	97	T1148	13	6
2	E3216	7	2	49	E3159	9	6	98	E3151	13	13
3	E3148	7	4	50	E3163	9	8	99		(See Page 15)	
4	CP-120	7	3	51	E3165	9	9	100		(See Page 15)	
5	E3153	7	7	52	E1762	9	10	101	T1119	14	2
6	E3154	7	10	53	E3291	9	11	102	T1098	14	12
7	E1750	7	13	54	E3162	9	13	103	T1102	14	13
8	E1767	7	14	55	E3166	9	14	104	T1066	14	14
9	E3143	7	15	56	E3170	9	15	105	T1069	14	15
10	E3217	7	16	57	E3171	9	16	106	T1075	14	17
11	E3207	7	17	58	T989	9	17	107	T1076	14	18
12	E3210	7	18	59	E3167	9	19	108	T1180	14	19
13	E1987	7	19	60	E3168	9	20	109	T1164	14	20
14	E3230	7	20	61	T1076	9	21	110	W932	14	21
15	E3146 (Inlet)	7	22	62	E3173	9	22	111	T1103	14	22
16	E3208	7	23	63	E3175	9	23	112	T1108	14	24
17	E3147 (Exhaust)	7	24	64	E3187	9	24	113	T1107	14	25
18	E3209	7	25	65	E3177	9	25	114	T1109	14	25
19	E3214	8	1	66	E3176	9	26	115	T1077	14	28
20	E3215	8	2	67	E1564	9	28	116	T1070	15	1
21	E3301	8	3	68	E1577	9	29	117	T1071	15	2
22	E3213	8	4	69	E3178	12	1	118	T1072	15	3
23	WE259A	8	5	70	E3181	12	2	119	T1073	15	4
24	E3251 (Inlet)	8	6	71	E3185	12	3	120	T1165	16	1
25	E3252 (Exhaust)	8	7	72	E3184	12	4	121	S52-1	16	7
26	E3223	8	8	73	E3183	12	5	122	T1116	16	8
27	GS662	8	9	74	E3186	12	6	123	T1159	16	10
28	E3225	8	10	75	E3190	12	8	124	T1160	16	11
29	E3253	8	11	76	E3193	12	9	125	T1161	16	12
30	E2534	8	12	77	E3194	12	10	126	T1162	16	13
31	E2594	8	13	78	E3195	12	11	127	T1163	16	14
32	E3224	8	14	79	E3196	12	12	128	T1157	16	15
33	E3227	8	15	80	S70-4	12	13	129	T1158	16	16
34	E3228	8	16	81	E3191	12	14	130	T1081	16	17
35	E3226	8	17	82	E3192	12	15	131	T1082	16	18
36	E3290	8	18	83	E3197	12	16	132	T1110	16	19
37	E2441	8	19	84	G5299	12	17	133	E697	16	20
38	E3235	8	20	85	E3201/19	12	19	134	T1112	16	21
39	E3238	8	21	86	W954	12	20	135	F1511	16	22
40	E3243	8	22	87	H193	12	21	136	T361	16	23
41	E1496	8	24	88	E3150	12	22	137	WE170	16	24
42	E3285	8	25	89	E3198	12	25	138	T1120	16	25
43	H400	8	26	90	E3152	12	28	139	T1151	18	13
44	E1335	8	29	91	D557	12	30	140	T1124	18	17
45	E3249	8	30	92	WE170	12	31	141	T1140	18	20
46	E3156	9	2	93	E3206	13	1	142	F879	38	7
47	E3160	9	3	94	E3293	13	2	143	525-13	38	8
	E3158	9	4	95	T1147	13	4	144	O47502	44	1
				96	T1149	13	5	145	E1580	44	4

2-2
1-10
2-8

GROUP 2 – ENGINE

REF. No.	PART No.	DESCRIPTION	QUANTITY
TIMING GEARS AND CAMSHAFT			
1	E3178	Pinion, timing and distributor drive	1
2	E3181	Bolt, timing and distributor pinion	1
3	E3185	Pinion, camshaft (50T)	1
4	E3184	Key, camshaft pinion	1
5	E3183	Camshaft, inlet and exhaust	1
6	E3186	Pinion and shaft, distributor and oil pump drive	1
OIL PUMP			
7	E3189	Pump, oil complete	1
8	E3190	Body, oil pump	1
9	E3193	Plunger, oil feed	1
10	E3194	Plunger, oil scavenge	1
11	E3195	Rod, connecting drive	1
12	E3196	Pin, connecting rod to plunger	1
13	S70-4	Ball, oil pump body	2
14	E3191	Spring, oil pump body	2
15	E3192	Plug, oil pump body	2
16	E3197	Bolt, oil pump to crankcase	2
17	GS299	Lockwasher, oil pump to crankcase (serrated)	2
18	E3188	Washer, oil pump to crankcase joint	1
ENGINE SPROCKET			
19	E3201/19	Sprocket engine 19T	1
20	W954	Distance piece, sprocket and rotor	1
21	H193	Nut, engine mainshaft	2
OUTER COVER, DRIVE SIDE			
22	E3150	Cover, crankcase D.S. outer	1
22a	E3344	Washer, cover joint	1
23	E3205	Screw, outer cover, long	4
24	E3200	Screw, outer cover, short	5
INNER COVER, DRIVE SIDE			
25	E3198	Cover, crankcase D.S. inner	1
26	E3199	Dowel, inner cover to crankcase front	1
27	T989	Dowel, inner cover to outer cover rear	1
28	E3152	Bearing, engine flywheel mainshaft	1
28a	E3379	Oil seal, mainshaft bearing	1
29	E3200	Screw, inner cover to crankcase	2
30	DS57	Plug, oil level and drain... ..	2
31	WE170	Washer, oil level and drain plugs	2
32	E3305	Plug, oil filler	1
33	F1880	Washer, oil filler plug	1

ENGINE – GROUP 2

REF. No.	PART No.	DESCRIPTION	QUANTITY
INNER COVER, TIMING SIDE			
1	E3206	Cover, inner T.S. c/w bushes and clutch lever	1
2	E3293	Bush, camshaft	1
3	E3172	Peg, camshaft bush	1
4	T1147	Bush, gearbox mainshaft	1
5	T1149	Plate, inner cover	1
6	T1148	Washer, inner cover plate (Cork)	1
7	T1150	Screw, inner cover plate	2
8	E3204	Screw, inner cover to crankcase (front and rear)	2
9	E3220	Screw, inner cover to crankcase (short)	1
10	E3221	Screw, inner cover to crankcase (long)	1
11	F3339	Vent pipe, inner cover breather (PVC)	1
12	XA69	Clip, vent pipe to clutch cable	1
OUTER COVER, TIMING SIDE			
13	E3151	Cover, outer T.S.	1
13a	E3345	Washer, cover joint	1
14	E3221	Screw, outer T.S. cover (long)	1
15	E3231	Screw, outer T.S. cover (medium)	7
16	E3220	Screw, outer T.S. cover (short)	1
GASKET SET			
17	GST15/53	Gasket set	1

WHEN ORDERING :

ALL GOODS MUST BE SENT TO THE WORKS CARRIAGE PAID

ALWAYS WRITE YOUR ORDER IN BLOCK LETTERS

ALWAYS QUOTE ENGINE NUMBER AND PREFIX

DO NOT FORGET TO SIGN YOUR ORDER

SEE SPECIMEN ORDER IN PREFACE

WHEN IN DOUBT SEND SAMPLE

ALWAYS QUOTE PART NUMBERS

GROUP 3 — GEARBOX

REF. No. PART No. DESCRIPTION QUANTITY

GEARBOX AND CLUTCH — GROUP 3

Illustrated on Pages 10, 15 and 17—Figs. 1, 2 and 3

SHAFTS AND GEARS

1	T1083*	Gear cluster, mainshaft (3rd and low)	1
2	T1119	Key, mainshaft to clutch	1
3	T1085	Bush, mainshaft clutch rod	1
4	T1078	Gear, mainshaft high c/w bush...	1
5	T1080	Bush, mainshaft high	1
6	T1089	Gear, mainshaft 2nd	1
7	T1090	Thrust ring, mainshaft 2nd gear	1
8	T1091*	Gear, cluster, layshaft (top and 2nd)	1
9	T1094	Gear, layshaft 3rd	1
10	T1095	Gear, layshaft low c/w bush	1
11	T1097	Bush, layshaft low gear	1

* The gear clusters are sold only as an assembly and the parts cannot be obtained separately.

SELECTOR FORKS AND SPINDLE

12	T1098	Fork, mainshaft and layshaft selector	2
13	T1102	Spindle, selector fork	1

CAMPLATE

14	T1066	Camplate assembly	1
15	T1069	Spindle, camplate	1
16	$\frac{3}{32}$ " \times 1"	Split pin, camplate to spindle	1
17	T1075	Spring, camplate index	1
18	T1076	Screw, camplate index spring	2
19	T1180	Lockwasher, camplate index spring	1

FOOTCHANGE MECHANISM

20	T1164	Pedal, footchange	1
21	W932	Bolt, footchange pedal	1
22	T1103 (T1673)	Spindle, quadrant and plunger assembly	1
23	T1181	Feltwasher, footchange spindle	1
24	T1108	Plunger, footchange gear selector	2
25	T1107	Spring, footchange gear selector plunger	2
26	$\frac{1}{16}$ " \times $\frac{3}{4}$ "	Split pin, footchange gear selector plunger	2
27	T1109	Spring, footchange return	1
28	T1077	Pin, footchange return spring anchorage	1
29	E2287	Washer, footchange return spring anchorage	1
30	T449	Rubber, footchange pedal	1

GEARBOX – GROUP 3

REF. No.	PART No.	DESCRIPTION	QUANTITY
----------	----------	-------------	----------

GEARBOX CASING BEARINGS

1	T1070	Bearing, D.S. gearbox mainshaft (ball)	1
2	T1071	Oil seal, D.S. bearing (felt)	1
3	T1072	Plate, D.S. bearing seal retaining	1
4	T1073	Bearing, D.S. gearbox layshaft (plain)	1
5	E3172	Peg, layshaft bearing locating	1
6	T1074	Disc, D.S. gearbox layshaft bearing	1

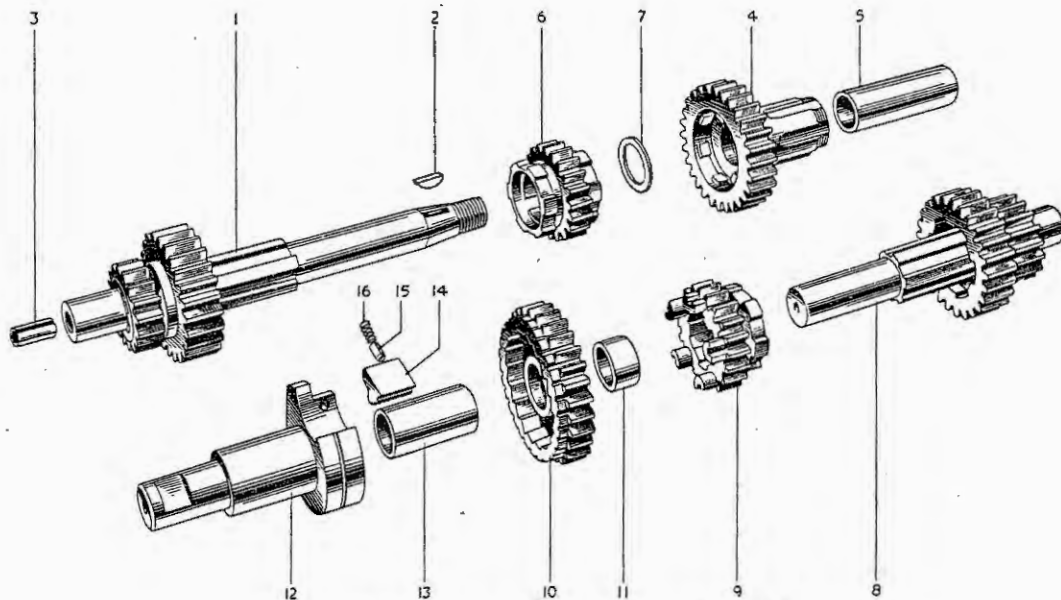


FIG. 2. MAINSHAFT AND LAYSHAFT GEARS.

INDEX

Illust. No.	Part No.	Page No.	Ref. No.	Illust. No.	Part No.	Page No.	Ref. No.
1	T1083	14	1	9	T1094	14	9
2	T1119	14	2	10	T1095	14	10
3	T1085	14	3	11	T1097	14	11
4	T1078	14	4	12	T1116	16	8
5	T1080	14	5	13	T1118	16	9
6	T1089	14	6	14	T1159	16	10
7	T1090	14	7	15	T1160	16	11
8	T1091	14	8	16	T1161	16	12

GROUP 3 – GEARBOX

REF. No.	PART No.	DESCRIPTION	QUANTITY
KICKSTARTER			
1	T1165	Kickstarter assembly, folding	1
2	T1166	Crank, kickstarter	1
3	T1168	Pedal kickstarter crank	1
4	T1169	Bolt, kickstarter crank to pedal	1
5	S70-3	Ball, kickstarter crank to pedal	1
6	T1167	Spring, kickstarter crank to pedal	1
7	S52-1	Cotter, kickstarter crank c/w nut and washer	1
8	T1116	Spindle, kickstarter c/w bush	1
9	T1118	Bush, kickstarter spindle	1
10	T1159	Pawl, kickstarter... ..	1
11	T1160	Plunger, kickstarter pawl	1
12	T1161	Spring, kickstarter plunger	1
13	T1162	Spring, kickstarter return	1
14	T1163	Plate, kickstarter return spring anchor	1
15	T1157	Plate, kickstarter stop	1
16	T1158	Screw, kickstarter stop plate	1
GEARBOX SPROCKET			
17	T1081	Sprocket, gearbox	1
18	T1082	Nut, gearbox sprocket	1
FILLER, LEVEL AND DRAIN PLUGS			
19	T1110	Plug, gearbox filler	1
20	E697	Washer, gearbox filler plug	1
21	T1112	Plug, gearbox drain	1
22	F1511	Washer, gearbox drain plug	1
23	T361	Plug, gearbox level	1
24	WE170	Washer, gearbox level plug	1
CLUTCH			
25	T1120	Clutch complete	1
26	T1136	Nut, clutch to mainshaft	1
27	T1182	Washer, clutch to mainshaft nut	1
28	T1122	Sprocket c/w bearing and cork inserts	1
29	*T1124	Ball, clutch sprocket bearing	58
30	*T1125	Plate, clutch sprocket bearing retaining	2
31	*T1126	Rivet, clutch sprocket retaining plate	5
32	T1127	Cork insert, clutch sprocket	20
33	T1137	Plate, clutch driven (plain)	2
34	T1138	Plate, clutch driving (corked)	2
35	NT288	Cork insert, clutch driving plate	40

* See Page 57 before ordering replacements.

GEARBOX - GROUP 3

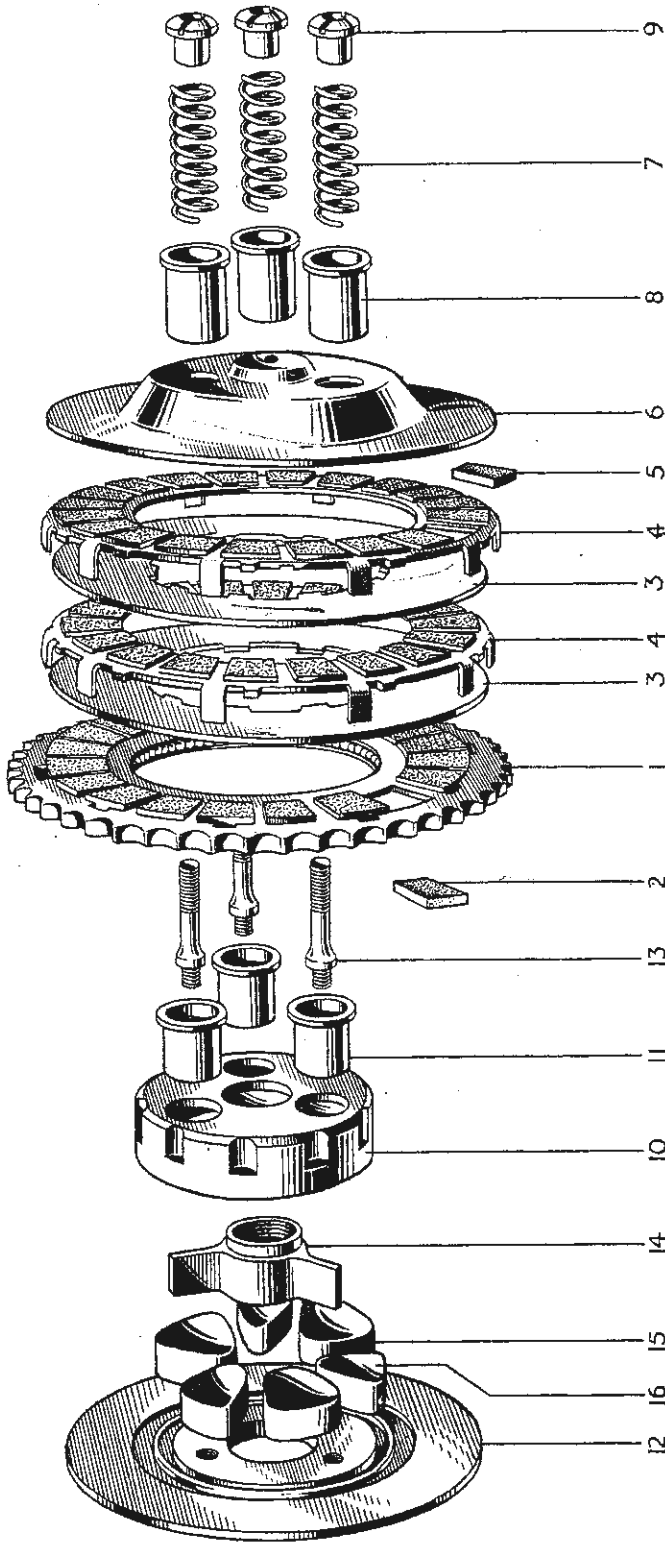


FIG. 3. CLUTCH AND SHOCK ABSORBER UNIT.

INDEX

Illust. No.	Part No.	Page No.	Ref. No.	Illust. No.	Part No.	Page No.	Ref. No.
1	*T1122	16	28	9	T1146	18	5
2	T1127	16	32	10	T1129	18	6
3	T1137	16	33	11	T1130	18	7
4	T1138	16	34	12	T1128	18	8
5	NT288	16	35	13	T1134	18	9
6	T1141	18	1	14	T1131	18	10
7	T1145	18	3	15	T1132	18	11
8	T1144	18	4	16	T1133	18	12

* See Note on Page 57.

GROUP 4 – EXHAUST SYSTEM

REF. No.	PART No.	DESCRIPTION	QUANTITY
1	T1141	Plate, clutch pressure c/w button	1
2	T1143	Button, clutch pressure plate thrust	1
3	T1145	Spring, clutch pressure	3
4	T1144	Cup, clutch spring	3
5	T1146	Nut, clutch spring	3
6	T1129	Centre clutch	1
7	T1130	Cup, clutch centre driving	3
8	T1128	Plate, clutch backing	1
9	T1134	Pin, clutch backing plate	3
10	T1131	Spider, clutch	1
11	T1132	Rubber, clutch drive	3
12	T1133	Rubber, clutch rebound	3

CLUTCH CONTROL

13	T1151	Lever, clutch operating assembly	1
14	T1153	Lever, clutch operating	1
15	T1154	Pin, operating lever fulcrum	1
16	T1155	Cup, operating lever thrust	1
17	T1124	Ball, cup to rod	1
18	$\frac{1}{16}'' \times \frac{1}{2}''$	Split-pin, cup to lever	1
19	T1152	Fulcrum, clutch operating lever	1
20	T1140	Rod, clutch operating	1

EXHAUST SYSTEM – GROUP 4

EXHAUST PIPE

21	E3257	Pipe, exhaust	1
22	E3259	Clip, exhaust pipe to cylinder head	1
23	E3260	Bolt, exhaust pipe to cylinder head	1
24	S25-13	Washer, exhaust pipe to cylinder head clip bolt	1

SILENCER

25	E3261	Silencer	1
26	E3269	Clip, silencer to exhaust pipe	1
27	TE164E	Bolt, silencer to exhaust pipe clip	1
28	TE164D	'D' Washer, silencer to exhaust pipe clip bolt	1
39	TE164C	'D' Nut, silencer to exhaust pipe clip bolt	1
30	F929	Bolt, silencer to frame	1
31	S1-51	Nut, silencer to frame bolt	1
32	S26-2	Washer, silencer to frame bolt	1

FRAME — GROUP 5
CENTRE STAND — GROUP 6

REF. No. PART No. DESCRIPTION QUANTITY

FRAME — GROUP 5

Illustrated on Pages 20 and 21—Figs. 4 and 5

FRAME

1	F3390	Frame, c/w rear suspension	1
2	F3391	Frame, only	1
3	F1760	Bolt, front and rear engine mounting...	2
4	E2774	Bolt, lower engine mounting	1
5	W76	Nut, engine mounting bolt	3
6	GS308	Washer, engine mounting bolt	3

REAR SUSPENSION

7	F3455	Fork end, R.H. c/w grease nipple	1
8	F3454	Fork end, L.H. c/w pin and grease nipple	1
9	NW100	Nipple, fork end grease...	2
10	F3424	Pin, fork end brake anchorage	1
11	F3422	Backing washer, plunger lug (top)	2
12	F3577	Cup, plunger lug (bottom)	2
13	F3423	Gaiter, plunger lug bottom (rubber)	2
14	F3425	Spring, suspension main	2
15	F3426	Spring, suspension rebound	2
16	F3427	Cover, suspension spring (lower)	2
17	F3428	Cover, suspension spring (upper)	2
18	F3429	Rod, plunger guide	2
19	F3430	Bolt, plunger guide to lug clamp	2
20	E470	Nut, plunger guide to lug clamp	2
21	S25-3	Washer, plunger guide to lug clamp	2

CENTRE STAND — GROUP 6

Illustrated on Page 20—Fig. 4

22	F3469	Stand, c/w fittings	1
23	F3438	Stand, only	1
24	F3519	Spring, stand	1
25	F3520	Bolt, stand pivot, L/H	1
26	F3521	Bolt, stand pivot, R/H	1
27	DS47	Nut, pivot bolt	2

GROUP 5 - FRAME

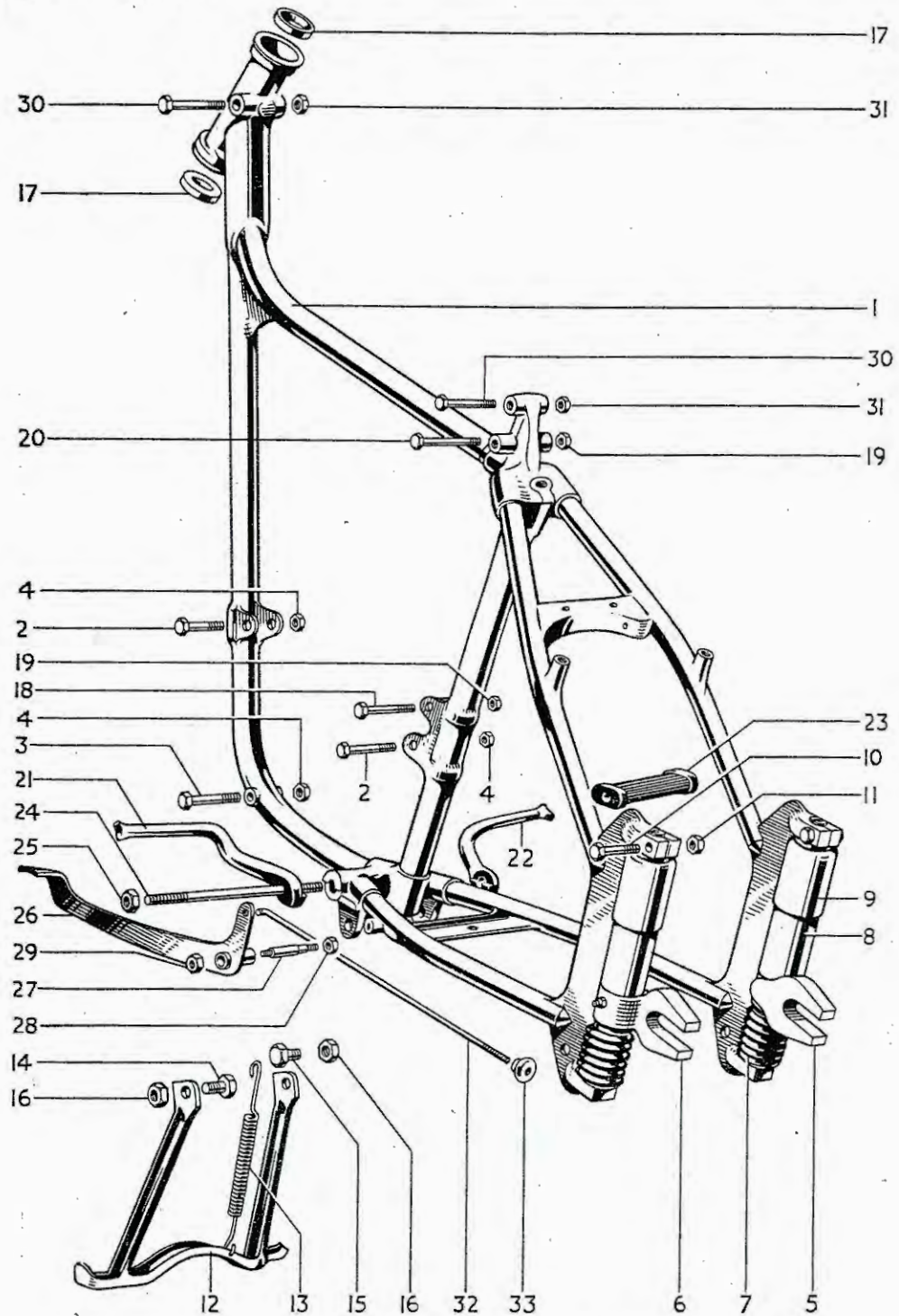


FIG. 4. FRAME AND COMPONENTS.

For Index See Page 21.

FRAME - GROUP 5

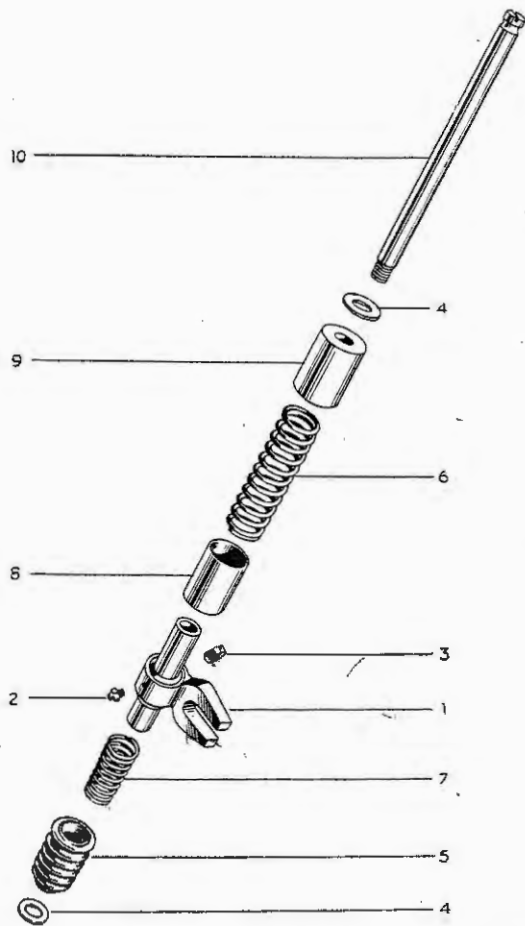


FIG. 5.
REAR
SUSPENSION.
for Index see below

INDEX TO FIG. 5.

Illust. No.	Part No.	Page No.	Ref. No.
1	E3455	19	7
	E3454	19	8
2	NW100	19	9
3	F3424	19	10
4	F3422 (Upper)	19	11
	F3577 (Lower)	19	12
5	F3423	19	13
6	F3425	19	14
7	F3426	19	15
8	F3427	19	16
9	F3428	19	17
10	F3429	19	18

INDEX TO FIG. 4. PAGE 20.

Illust. No.	Part No.	Page No.	Ref. No.	Illust. No.	Part No.	Page No.	Ref. No.
1	F3390	19	1	18	F2596	37	19
2	F1760	19	3	19	S1-51	37	21
3	E2774	19	4	20	F3468	37	22
4	VV76	19	5	21	F3449	38	10
5	F3455	19	7	22	F3450	38	11
6	F3454	19	8	23	F1695	38	12
7	F3423	19	13	24	F3448	38	13
8	F3427	19	16	25	H193	38	14
9	F3428	19	17	26	F3456	39	1
10	F3430	19	19	27	F3459	39	2
11	E470	19	20	28	S1-51	39	3
12	F3438	19	23	29	T224	39	5
13	F3519	19	24	30	F3498	37	7
14	F3520	19	25	31	S1-51	37	8
15	F3521	19	26	32	F3460	39	7
16	DS47	19	27	33	F3463	39	11
17	H835	25	15				

GROUP 7 - TELESCOPIC FRONT FORK

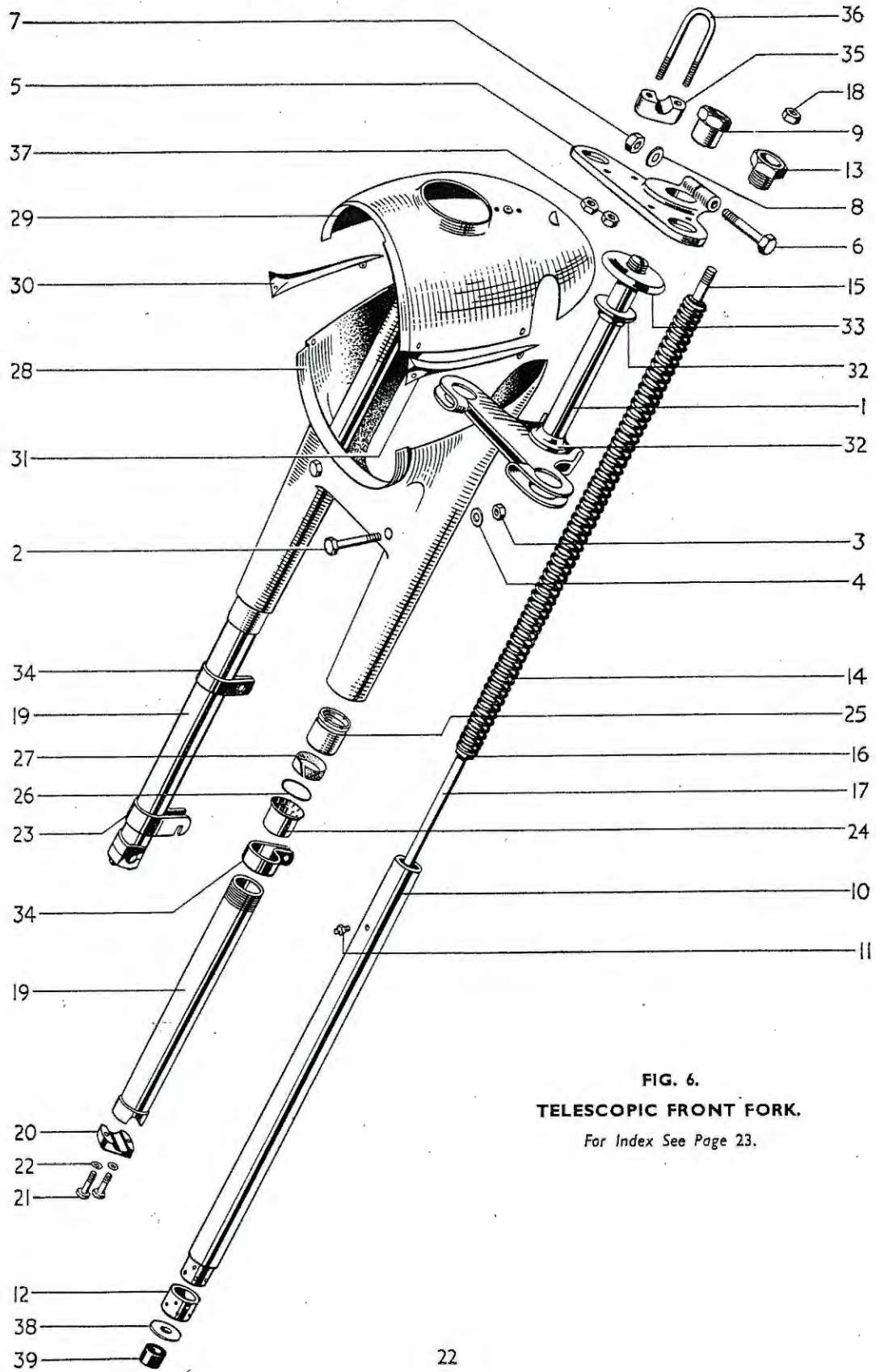


FIG. 6.
TELESCOPIC FRONT FORK.
 For Index See Page 23.

TELESCOPIC FRONT FORK – GROUP 7

INDEX TO FIG. 6. PAGE 22.

<i>Illust. No.</i>	<i>Part No.</i>	<i>Page No.</i>	<i>Ref. No.</i>
1	H828	24	2
2	H834	24	3
3	H518	24	4
4	S25-3	24	5
5	H837	24	6
6	H570	24	7
7	S1-51	24	8
8	S25-3	24	9
9	H840	24	10
10	H843	24	11
11	NW100	24	12
12	H845	24	13
13	H846	24	14
14	H847	24	17
15	H850	24	18
16	H851	24	19
17	H852	24	20
18	S1-51	24	21
19	H853	24	22
20	H856	24	23
21	W932	24	24
22	E1612	24	25
23	H857	24	26
24	H860	24	27
25	H861	25	1
26	H862	25	2
27	H863	25	3
28	H823	25	4
29	H822	25	5
30	H877	25	6
31	H878	25	7
32	H833	25	16
33	H836	25	18
34	H873	30	10
35	H864	39	15
36	H865	39	16
37	F879	39	17
38	H902	24	16
39	H903	24	15

TELESCOPIC FRONT FORK — GROUP 7

REF. No.	PART No.	DESCRIPTION	QUANTITY
----------	----------	-------------	----------

TELESCOPIC FRONT FORK — GROUP 7

Illustrated on Page 22—Fig. 6

FRONT FORK

1	H827	Fork, assembly	1
2	H828	Lug, fork stem and middle	1
3	H834	Bolt, middle lug pinch	2
4	H518	Nut, middle lug pinch bolt	2
5	S25-3	Washer, middle lug pinch bolt	4
6	H837	Lug, fork top	1
7	H570	Bolt, fork top lug clamp	1
8	S1-51	Nut, fork top lug clamp bolt	1
9	S25-3	Washer, fork top lug clamp bolt	1
10	H840	Sleeve nut, fork stem	1
11	H843	Stanchion fork c/w bush	2
12	NW100	Grease nipple, stanchion	2
13	H845	Bush, stanchion bottom	2
14	H846	Nut, stanchion to top lug	2
15	H903	Buffer, stanchion rubber	2
16	H902	Washer, stanchion rubber buffer	2
17	H847	Spring, fork c/w studs, etc.	2
18	H850	Stud, fork spring (short) top	2
19	H851	Stopnut, fork spring (bottom)	2
20	H852	Rod, fork spring anchor (bottom)	2
21	S1-51	Nut, fork spring (short) stud	2
22	H853	Member, outer lower c/w cap	2
23	H856	Cap, outer lower member lug spindle	2
24	W932	Bolt, outer lower member lug spindle	4
25	E1612	Washer, outer lower member lug spindle	4
26	H857	Clip, brake anchorage	1
27	H860	Bush, outer lower member top	2

TELESCOPIC FRONT FORK – GROUP 7

REF. No.	PART No.	DESCRIPTION	QUANTITY
1	H861	Sleeve nut, outer lower member	2
2	H862	Washer, sleeve nut (steel)	2
3	H863	Washer, sleeve nut (felt)	2
4	H823	Nacelle, bottom unit	1
5	H822	Nacelle, top unit... ..	1
6	H877	Flash, L.H. (Motif)	1
7	H878	Flash, R.H. (Motif)	1
8	H688	Screw, flash and top and bottom unit	2
9	H691	Nut, flash and top and bottom unit	2
10	E2880	Washer, flash and top and bottom unit	2
11	H916	Screw, flash and top and bottom unit (centre)	2
12	H689	Screw, top and bottom unit (rear)	2
13	H691	Nut, top and bottom unit (rear)	2
14	E2880	Washer, top and bottom unit (rear)	2
STEERING RACES			
15	H835	Cup, steering race (top and bottom)	2
16	H833	Cone, steering race (top and bottom)	2
17	S70-3	Ball, steering race (top and bottom)	30
18	H836	Cover, steering race dust	1
LICENCE HOLDER			
19	D261	Holder, licence	1

DESPATCHING GOODS. Parts being returned to either the Distributor or Triumph Service Department for rectification should be well packed to avoid damage in transit. Cylinder barrels and cylinder heads are extremely vulnerable to breakage of the fins ; when casing, pack straw or old newspapers etc., round the finning to prevent damage due to shock. Advice of despatch should be forwarded to the consignee and the sender MUST securely attach a label to the returned parts, clearly stating his name and address.

RECEIVING GOODS. Every possible precaution is taken to ensure that the sender's order has been correctly interpreted and the goods despatched are correct to the invoice. Parts sent in for repair are tested before despatch and are subsequently covered by our guarantee on Page 51. In the event of any shortage on damage in transit, we must be advised within 48 hours of arrival in order that the necessary action can be taken. No claim can be entertained after this period.

GROUP 8 - WHEELS

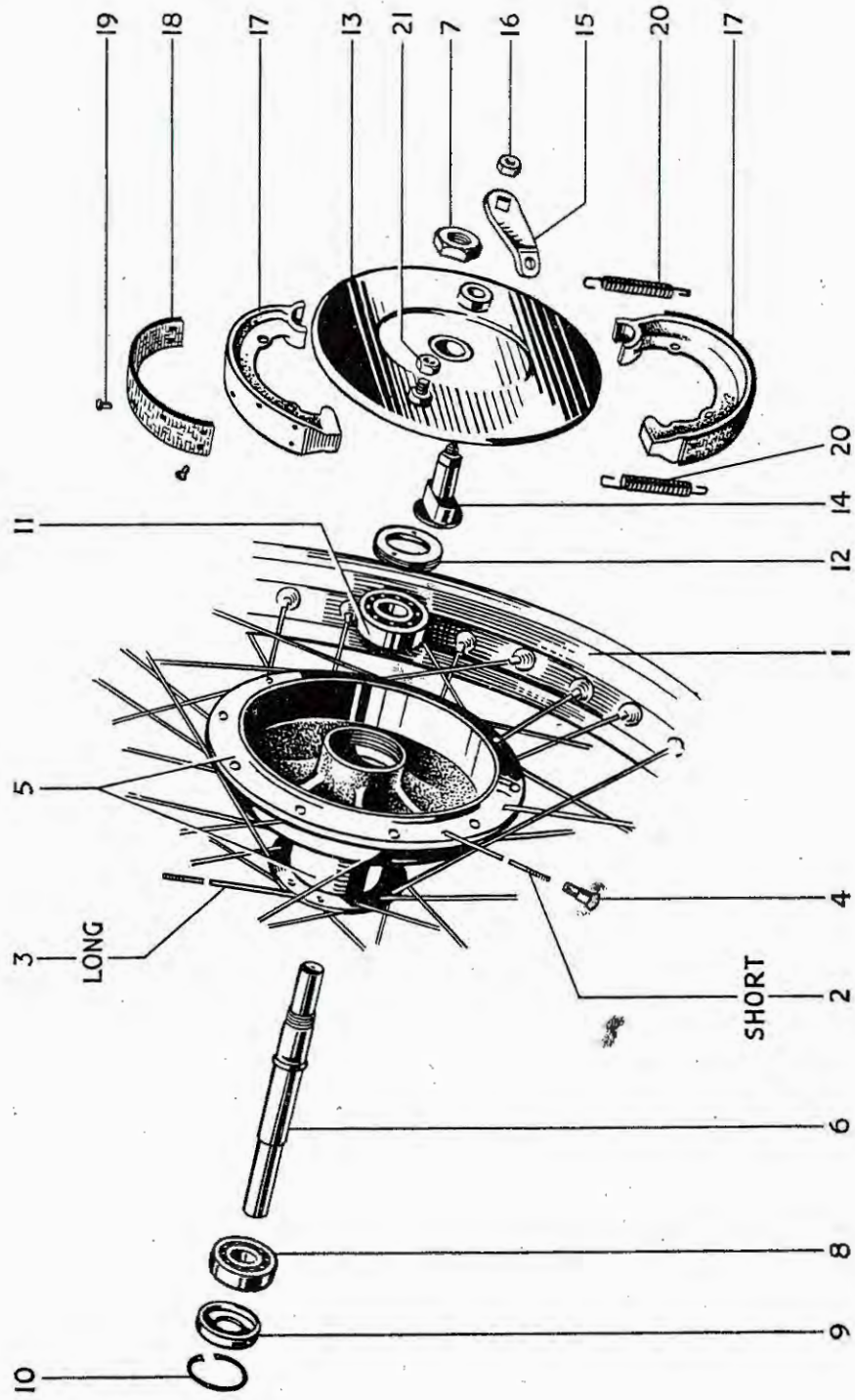


FIG. 7. FRONT WHEEL.
 For Index See Page 27.

GROUP 8 - WHEELS

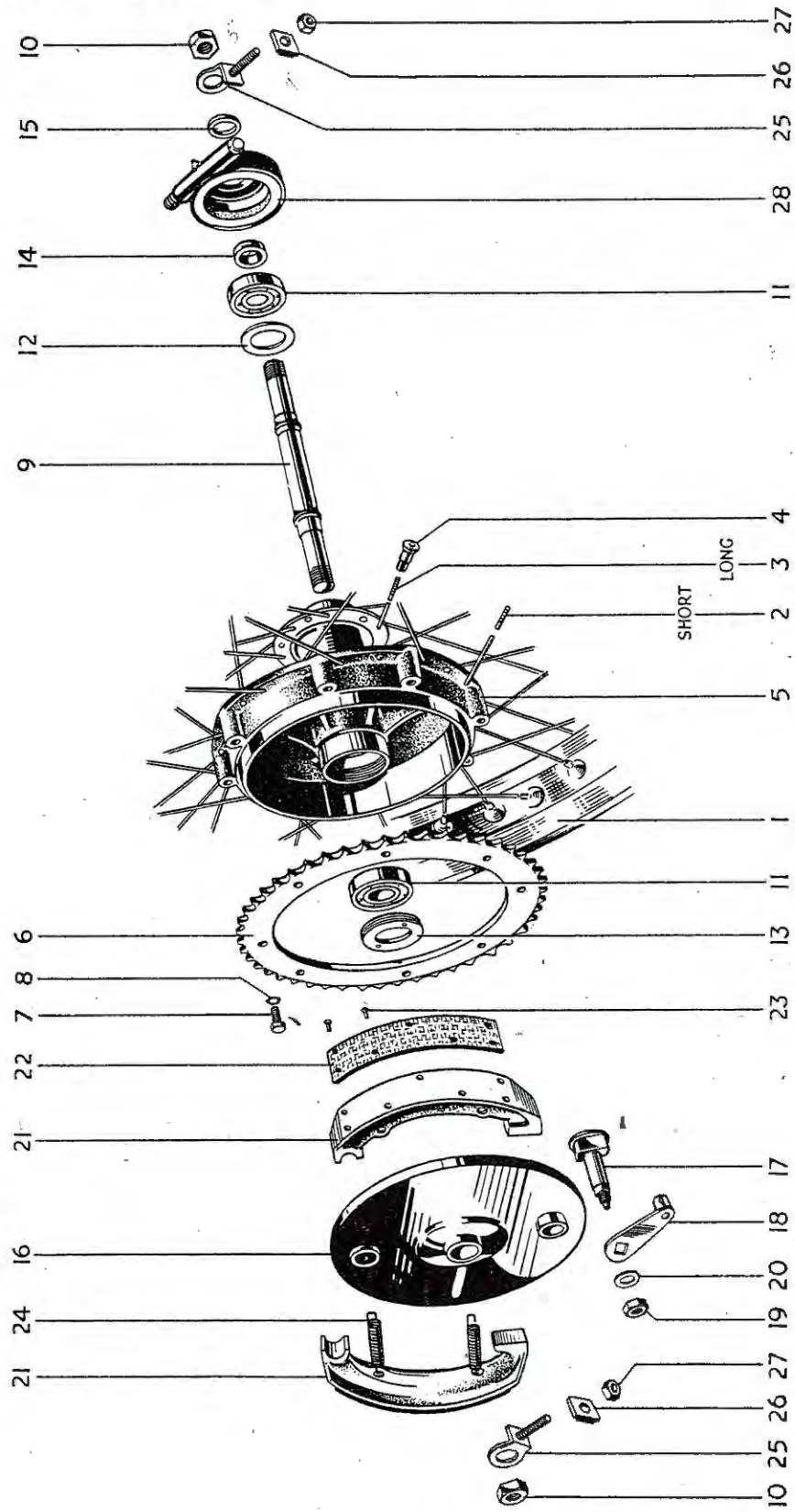


FIG. 8. REAR WHEEL.
For Index See Page 29.

WHEELS - GROUP 8

REF. No.	PART No.	DESCRIPTION	QUANTITY
REAR WHEEL			
1	W1004	Wheel complete, rear	1
2	W981	Wheel, less bearings, brake assembly, etc.	1
3	W1002	Rim, rear wheel, WMI-19	1
4	W964/5	Spoke, and nipple, L.H. 90°	20
5	W963/5	Spoke, and nipple, R.H. 90°	20
6	W965	Nipple, spoke	40
7	W982	Hub and brake drum assembly	1
8	W984/48	Sprocket, rear wheel 48T	1
9	W985	Bolt, rear wheel sprocket	8
10	E1612	Washer, rear wheel sprocket	8
11	W989	Spindle, rear wheel	1
12	W1000	Nut, rear wheel spindle	2
13	H826	Bearing, rear wheel R.H. and L.H.	2
14	W987	Backing ring, rear wheel bearing R.H.	1
15	W988	Locking ring, rear wheel bearing L.H.	1
16	W954	Distance piece, rear wheel spindle, inner R.H.	1
17	W995	Distance piece, rear wheel spindle, outer R.H.	1
REAR WHEEL BRAKE			
18	W990	Plate, rear brake anchor	1
19	W973	Cam, assembly, rear brake	1
20	W993	Lever, rear brake	1
21	T224	Nut, rear brake lever	1
22	S25-2	Washer, rear brake lever	1
23	W977	Shoe, rear brake c/w lining	2
24	W978	Lining, rear brake	2
25	W979	Rivet, rear brake	12
26	W200	Spring, rear brake shoe	2

INDEX TO FIG. 8. PAGE 28.

Illust. No.	Part No.	Page No.	Ref. No.	Illust. No.	Part No.	Page No.	Ref. No.
1	W1002	29	3	15	W995	29	17
2	W964/5	29	4	16	W990	29	18
3	W963/5	29	5	17	W973	29	19
4	W965	29	6	18	W993	29	20
5	W982	29	7	19	T224	29	21
6	W984/48	29	8	20	S25-2	29	22
7	W985	29	9	21	W977	29	23
8	E1612	29	10	22	W978	29	24
9	W989	29	11	23	W979	29	25
10	W1000	29	12	24	W200	29	26
11	H826	29	13	25	W996	30	1
12	W987	29	14	26	W999	30	2
13	W988	29	15	27	F879	30	3
14	W954	29	16	28	D175	48	23

GROUP 9 – MUDGUARDS AND REAR CARRIER

REF. No. PART No. DESCRIPTION QUANTITY

REAR WHEEL CHAIN ADJUSTER

1	W996	Adjuster, rear chain	2
2	W999	End plate, rear chain adjuster	2
3	F879	Nut, rear chain adjuster	2

MUDGUARDS AND REAR CARRIER – GROUP 9

Illustrated on opposite page

FRONT MUDGUARD

4	H868	Mudguard, front	1
5	H871	Stay, front mudguard, L.H.	1
6	H872	Stay, front mudguard, R.H.	1
7	DS57	Bolt, front mudguard stay	4
8	F879	Nut, front mudguard stay	4
9	E1612	Washer, front mudguard stay	4
10	H873	Clip, nacelle to centre bridge	2
11	GS218	Bolt, nacelle to centre bridge clip	2
12	F879	Nut, nacelle to centre bridge clip	2
13	E1612	Washer, nacelle to centre bridge clip	2
14	F3023	Distance piece, stay bolt	2
15	GS218	Bolt, stay to fork lug bottom	2
16	E1612	Washer, stay to fork lug bottom	2

INDEX TO FIG. 9. PAGE 31.

Illust. No.	Part No.	Page No.	Ref. No.	Illust. No.	Part No.	Page No.	Ref. No.
1	H868	30	4	19	F879	32	14
2	H871	30	5	20	F3523	32	16
3	H872	30	6	21	DS57	32	17
4	DS57	30	7	22	F879	32	18
5	F879	30	8	23	H874	32	20
6	GS218	30	11	24	H741	32	21
7	F879	30	12	25	H687	32	22
8	GS218	30	15	26	H745	32	23
9	F3479	32	1	27	*F3508	32	24
10	F3484	32	2	28	F929	32	25
11	F3488	32	3	29	S1-51	32	26
12	DS57	32	4	30	D274	32	28
13	F879	32	5	31	F3431	33	1
14	E470	32	7	32	DS57	33	2
15	F1369	32	8	33	F3436	33	4
16	F879	32	10	34	F3437	33	5
17	F3483	32	11	35	H745	33	6
18	DS57	32	12	36	DS57	33	7

* See Note on Page 32.

MUDGUARDS AND REAR CARRIER – GROUP 9

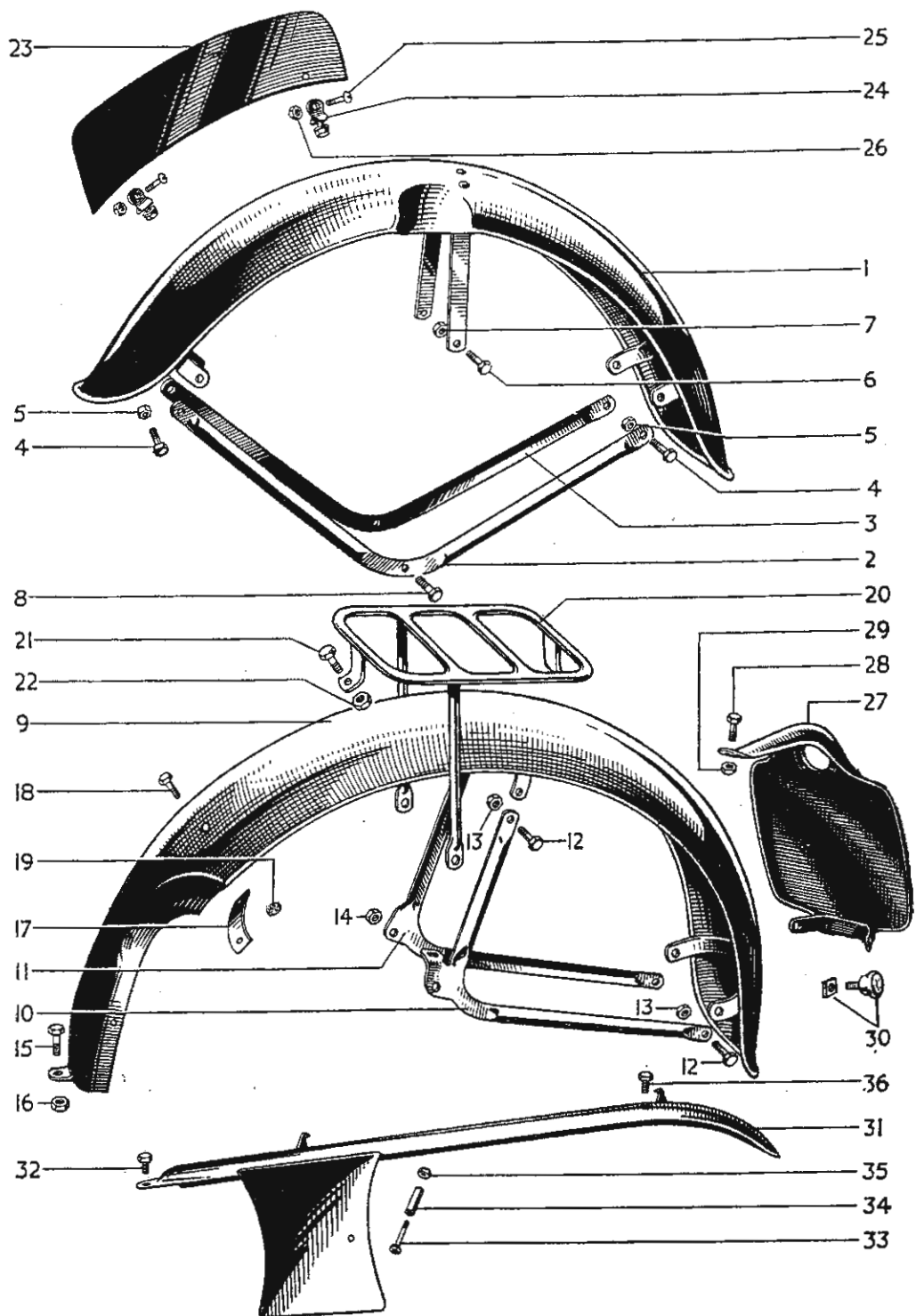


FIG. 9. MUDGUARDS, NUMBER PLATES, CARRIER AND REAR CHAINGUARD.
 For Index See Page 30.

GROUP 10 — NUMBER PLATES

REF. No.	PART No.	DESCRIPTION	QUANTITY
REAR MUDGUARD			
1	F3479	Mudguard, rear	1
2	F3484	Stay, rear mudguard L.H.	1
3	F3488	Stay, rear mudguard R.H.	1
4	DS57	Bolt, rear mudguard stays	4
5	F879	Nut, rear mudguard stays	4
6	E1612	Washer, rear mudguard stays	4
7	E470	Nut, rear mudguard stays to plunger clamp bolt	2
8	F1369	Bolt, rear mudguard to bridge... ..	1
9	E1612	Washer, rear mudguard to bridge	1
10	F879	Nut, rear mudguard to bridge	1
11	F3483	Backing strip, mudguard to frame bridge	1
12	DS57	Bolt, backing strip	2
13	E1612	Washer, backing strip bolt	2
14	F879	Nut, backing strip bolt	2
15	F3327	Grommet for mudguard unused holes	2
REAR CARRIER			
16	F3523	Carrier, rear	1
17	DS57	Bolt, carrier to mudguard front	1
18	F879	Nut, carrier to mudguard front	1
19	S26-2	Washer, carrier to mudguard front	1

Use rear number plate top bolt to secure carrier rear bracket.

NUMBER PLATES — GROUP 10

Illustrated on Page 31—Fig. 9

FRONT NUMBER PLATE			
20	H874	Plate, front number	1
21	H741	Clip, assembly front number plate	2
22	H687	Screw, assembly front number plate to clip	2
23	H745	Nut, front number plate to clip screw	2
REAR NUMBER PLATE			
24	F3508*	Plate, rear number	1
25	F929	Bolt, rear number and carrier top	1
26	S1-51	Nut, rear number, top bolt	1
27	S26-3	Washer, rear number, top bolt	1
28	D274	Reflector, c/w Nut	2
29	D68	Transfer, rear number plate motif	1

* Use Part No. F3508 Exp. when Stop Tail Lamp (525) is fitted.

REAR CHAINGUARD — GROUP 11
TOOLBOX, BATTERY CARRIER AND AIR CLEANER — GROUP 12

REF. No.	PART No.	DESCRIPTION	QUANTITY
----------	----------	-------------	----------

REAR CHAINGUARD — GROUP 11

Illustrated on Page 31—Fig. 9

1	F3431	Chainguard, rear	1
2	DS57	Bolt, chainguard to crankcase	1
3	S26-2	Washer, chainguard to toolbox, front	1
4	F3436	Screw, chainguard to mudguard, lower	1
5	F3437	Distance piece, chainguard to mudguard, lower	1
6	H745	Nut, chainguard to mudguard, lower	1
7	DS57	Bolt, chainguard to mudguard stay	1

TOOLBOX, BATTERY CARRIER AND AIR CLEANER
GROUP 12

Illustrated on Page 34—Fig. 10

8	F3491	Toolbox, battery and air cleaner assembly casing	1
9	F3470	Pad, battery, rubber moulded	1
10	F3418	Container, air cleaner	1
11	H251	Beading, air cleaner container, rubber... ..	1
12	F3492	Element, air cleaner	1
13	F3471	Screw, air cleaner to case	1
14	S25-13	Washer, air cleaner to case	1
15	F3473	Strap, battery case	1
16	F3472	Hook-bolt, battery case strap and lid	1
17	F879	Nut, battery case hook bolt	1
18	F3493	Lid, casing c/w knob'	1
19	F3474	Knob, casing lid	1
20	F3475	Circlip, casing lid knob	1
21	F3478	Connector, air cleaner to carburetter	1
22	F3208	Grommet, wiring harness and oil tank vent	1

GROUP 13 – TOOLS

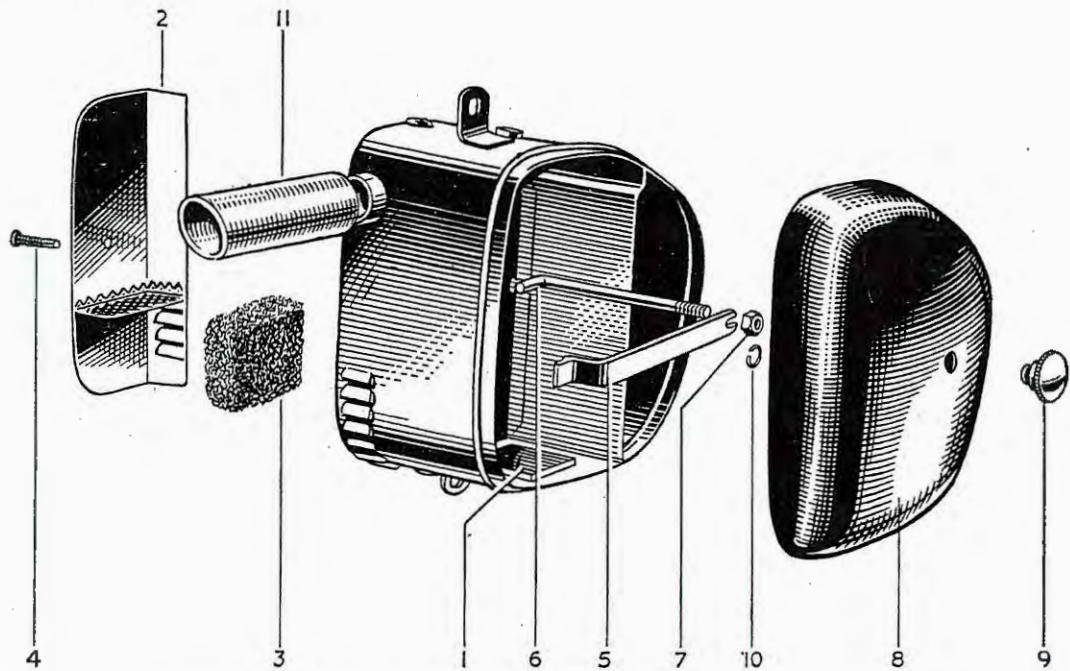


FIG. 10. TOOLBOX, BATTERY CARRIER AND AIR CLEANER.

INDEX

Illust. No.	Part No.	Page No.	Ref. No.	Illust. No.	Part No.	Page No.	Ref. No.
1	F3470	33	9	7	F879	33	17
2	F3418	33	10	8	F3493	33	18
3	F3492	33	12	9	F3474	33	19
4	F3471	33	13	10	F3475	33	20
5	F3473	33	15	11	F3478	33	21
6	F3472	33	16				

TOOLS – GROUP 13

Illustrated on opposite page

REF. No.	PART No.	DESCRIPTION	QUANTITY
1	D290	Tool kit, complete	1
2	D291	Toolbag	1
3	D299	Spanner, open ended, $\frac{3}{8}$ " \times $\frac{7}{16}$ " Whit.	1
4	D292	Spanner, open ended, $\frac{1}{8}$ " \times $\frac{3}{16}$ " \times $\frac{1}{2}$ " $\frac{5}{16}$ " Whit.	1
5	D293	Spanner, combination square \times $\frac{3}{16}$ " \times $\frac{5}{16}$ " \times $\frac{1}{2}$ " Whit.	1
6	D294	Spanner, screwdriver and box, $\frac{1}{2}$ " Whit.	1
7	DA70	Key, clutch adjusting	1
8	NA14A	Lever, tyre	1
9	D296	Inflator, tyre (not included in D290)	1

TOOLS - GROUP 13

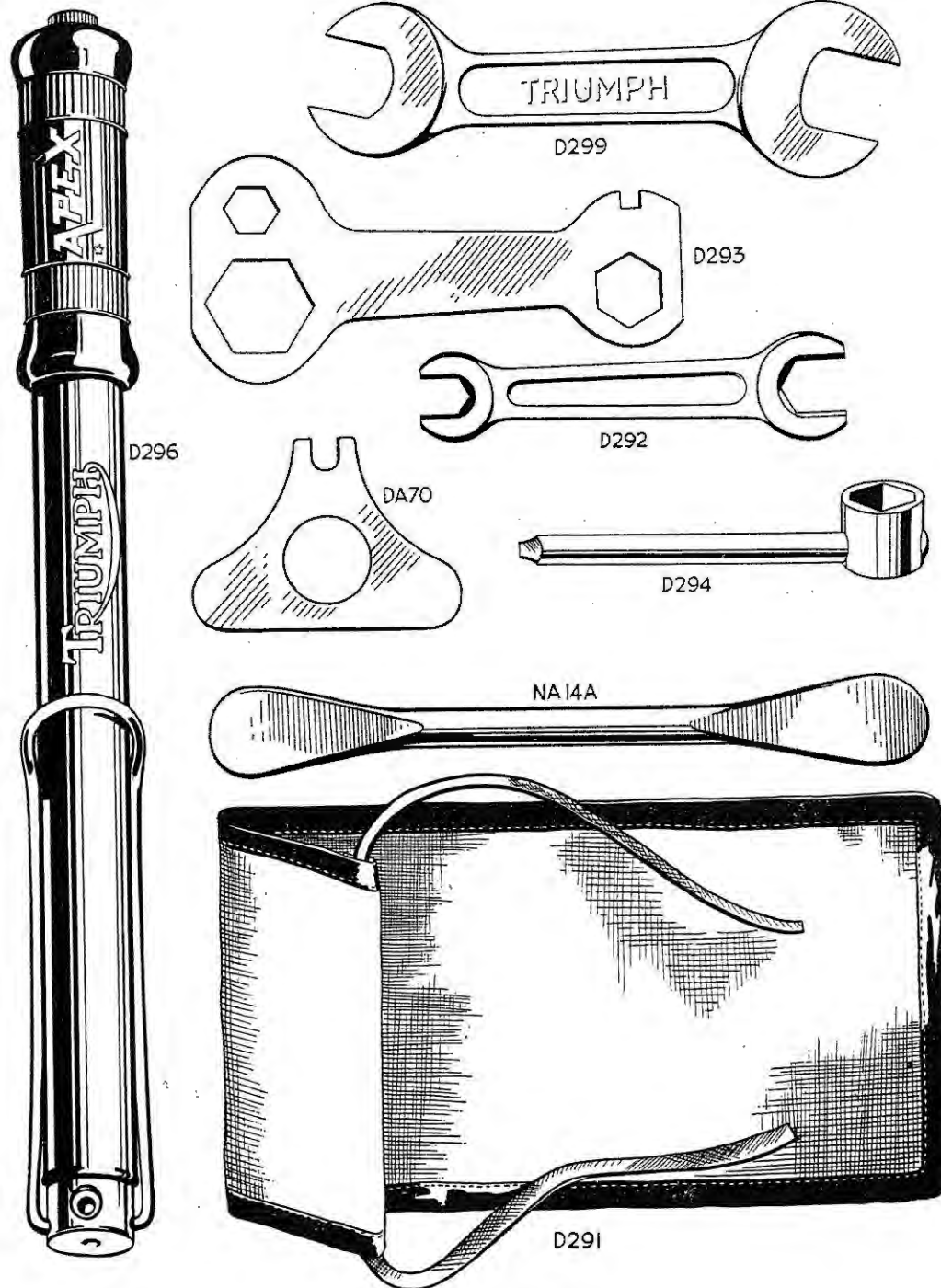


FIG. II. TOOLS.

GROUP 14 – PETROL AND OIL TANKS

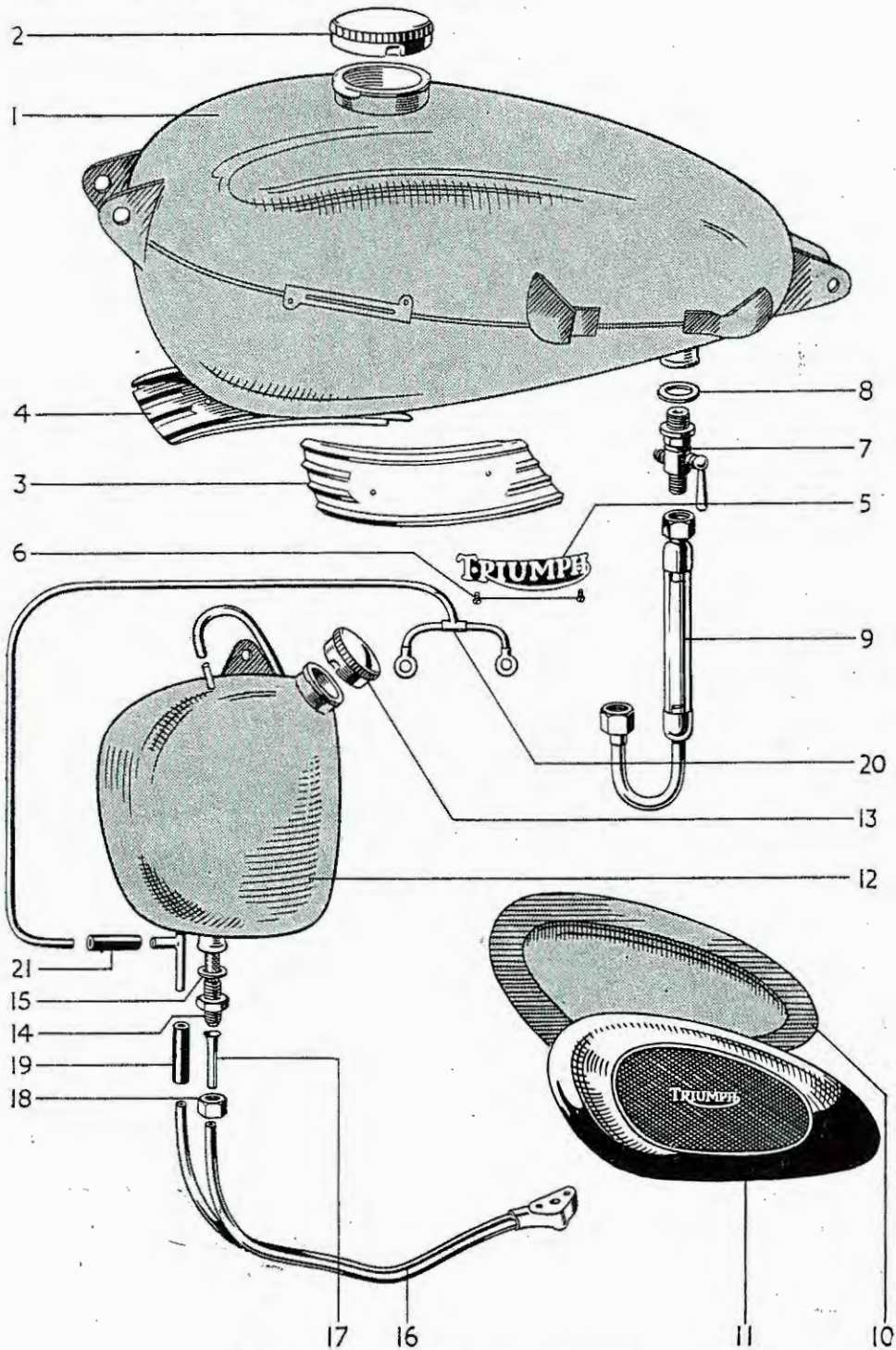


FIG. 12. PETROL AND OIL TANKS.

For Index See Page 37.

PETROL AND OIL TANKS – GROUP 14

REF. No.	PART No.	DESCRIPTION	QUANTITY
----------	----------	-------------	----------

PETROL AND OIL TANKS – GROUP 14

Illustrated on opposite page

PETROL TANK

1	F3505	Tank, petrol, less fittings	1
2	F3220	Cap, petrol tank	1
3	F3494	Styling band, petrol tank L.H.	1
4	F3495	Styling band, petrol tank R.H.	1
5	F3496	Name plate, petrol tank	2
6	F3497	Screw, name plate and band to tank	4
7	F3498	Bolt, petrol tank to frame	2
8	S1-51	Nut, petrol tank to frame bolt	2
9	S25-3	Washer, petrol tank to frame bolt	3
9a	F3098	Clip, L.H. front bolt	1
10	F3506	Tap, petrol tank	1
11	E697	Washer, petrol tank tap joint	1
12	F3499	Pipe, petrol feed	1
13	F1605	Knee grip, petrol tank R.H.	1
14	F1606	Knee grip, petrol tank L.H.	1

OIL TANK

15	F3464	Tank, oil, less fittings	1
16	F3216	Cap, oil tank	1
17	F3465	Filter, oil tank	1
18	F1511	Washer, oil tank filter joint	1
19	F2596	Bolt, oil tank to frame bottom	1
20	F3477	Distance piece, oil tank bottom	1
21	S1-51	Nut, oil tank bolt	2
22	F3468	Bolt, oil tank to frame top	1
23	F3476	Distance piece, oil tank top	2

INDEX TO FIG. 12. PAGE 36.

Illust. No.	Part No.	Page No.	Ref. No.	Illust. No.	Part No.	Page No.	Ref. No.
1	F3505	37	1	12	F3464	37	15
2	F3220	37	2	13	F3216	37	16
3	F3494	37	3	14	F3465	37	17
4	F3495	37	4	15	F1511	37	18
5	F3496	37	5	16	F3270	38	2
6	F3497	37	6	17	F3503	38	3
7	F3506	37	10	18	F3504	38	4
8	E697	37	11	19	F3077	38	5
9	E3499	37	12	20	E3244	8	27
10	F1605	37	13	21	E1947	8	31
11	F1606	37	14				

GROUP 15 – FOOTRESTS

REF. No.	PART No.	DESCRIPTION	QUANTITY
1	S25-3	Washer, oil tank top bolt	1
2	E3270	Pipes, oil tank to engine	1
3	F3503	Pipe, oil tank feed, top half	1
4	F3504	Nut, oil tank feed, top half union	1
5	F3077	Connection, oil tank feed and return pipes	2
6	E3274	Washer, oil tank pipe junction block joint	1
7	F879	Nut, junction block to crankcase	1
8	S25-13	Washer, junction block to crankcase nut	1
9	A3	Transfer (minimum oil level)	1

FOOTRESTS – GROUP 15

Illustrated on Page 20—Fig. 4

RIDER'S FOOTREST

10	F3449	Footrest L.H.	1
11	F3450	Footrest R.H.	1
12	F1695	Rubber	2
13	F3448	Rod, footrest hanger	1
14	H193	Nut, footrest hanger rod	2

PILLION FOOTREST

15	F3514	Footrest, pillion complete	2
16	F1694	Pedal, footrest	2
17	F1695	Rubber, footrest pedal	2
18	F2271	Bolt, footrest pedal pivot	2
19	S1-51	Nut, footrest pedal pivot bolt	2
20	F2277	Washer, footrest pedal pivot bolt	2
21	F2268	Hanger, footrest pedal	2
22	F3515	Stud, footrest pedal	2
23	P0172A	Nut, footrest pedal stud	2
24	S26-1	Washer, footrest pedal stud	2

REAR BRAKE PEDAL — GROUP 16
HANDLEBAR — GROUP 17

REF. No.	PART No.	DESCRIPTION	QUANTITY
----------	----------	-------------	----------

REAR BRAKE PEDAL — GROUP 16

Illustrated on Page 20—Fig. 4

1	F3456	Pedal, rear brake	1
2	F3459	Spindle, rear brake pedal	1
3	S1-51	Nut, brake pedal spindle to frame	1
4	S26-3	Washer, brake pedal spindle to frame	1
5	T224	Nut, brake pedal to spindle	1
6	S25-3	Washer, brake pedal to spindle	1
7	F3460	Rod, rear brake operating	1
8	F3461	Washer, rear brake rod to pedal	1
9	F3594	Washer, rear brake rod to pedal (for stop lamp)	1
	$\frac{1}{8}'' \times \frac{1}{2}''$	Split-pin, rear brake rod to pedal	1
10	F3462	Pivot-pin, rear brake rod to lever	1
11	F3463	Adjuster, rear brake rod	1

HANDLEBAR — GROUP 17

Illustrated on Page 40—Fig. 13

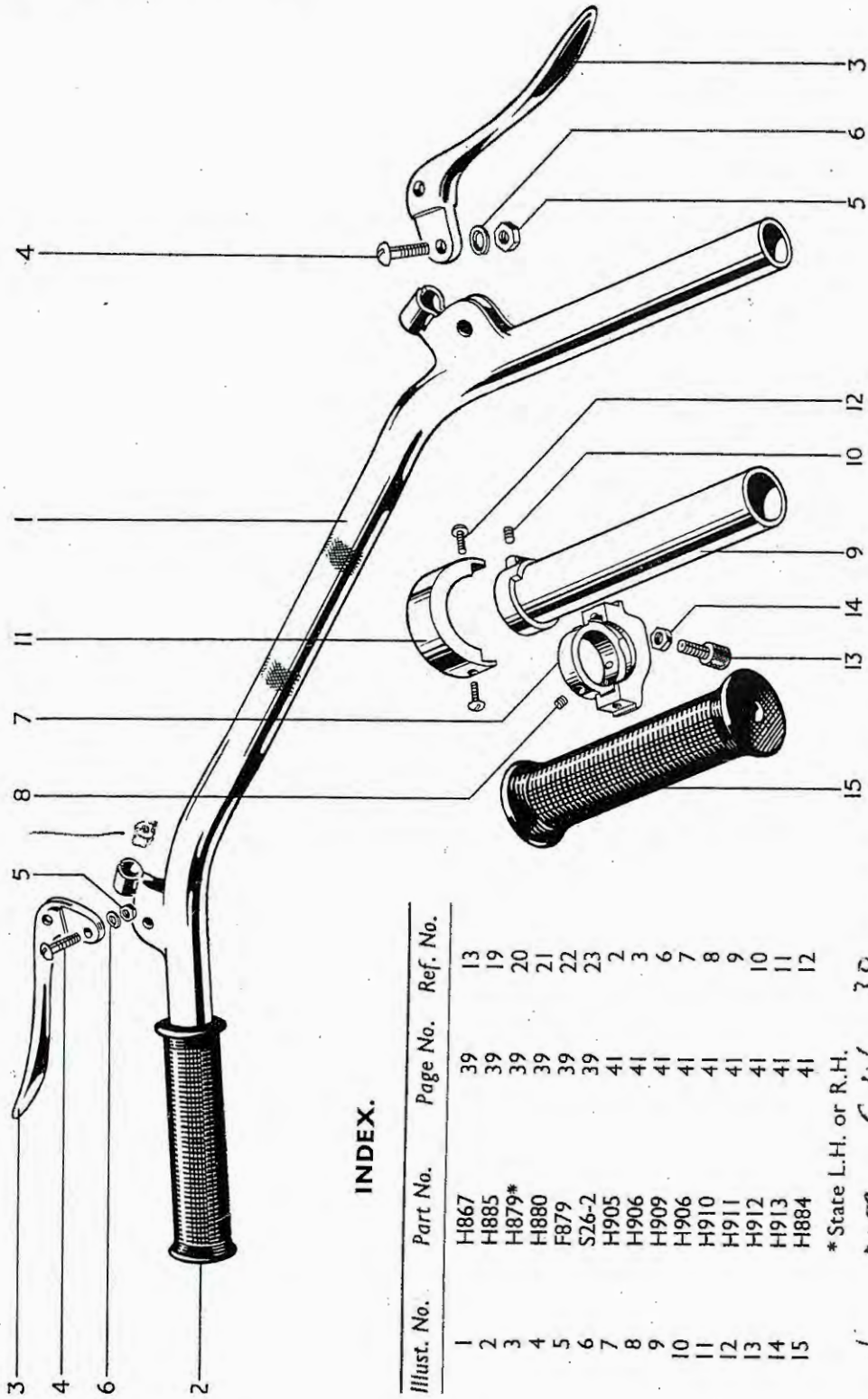
HANDLEBAR

12	H866	Handlebar c/w control levers and twistgrip	1
13	H867	Handlebar bend only	1
14	H881	Grommet, handlebar to nacelle	2
15	H864	Support, handlebar to top lug	2
16	H865	'U' bolt, handlebar to top lug	2
17	F879	Nut, handlebar to top lug	4
18	S25-13	Washer, handlebar to top lug	4
19	H885	Grip, handlebar, rubber	1

CONTROL LEVERS

20	H879 LH.	Lever, clutch control	1
20a	H879 RH.	Lever, front brake control	1
21	H880	Screw, lever to bracket	2
22	F879	Nut, lever to bracket screw	2
23	S26-2	Washer, lever to bracket nut	2

GROUP 17 - HANDLEBAR



INDEX.

Illust. No.	Part No.	Page No.	Ref. No.
1	H867	39	13
2	H885	39	19
3	H879*	39	20
4	H880	39	21
5	F879	39	22
6	S26-2	39	23
7	H905	41	2
8	H906	41	3
9	H909	41	6
10	H906	41	7
11	H910	41	8
12	H911	41	9
13	H912	41	10
14	H913	41	11
15	H884	41	12

* State L.H. or R.H.

D282 { 41 30
42 19

FIG. 13. HANDLEBAR AND COMPONENTS.

CONTROL CABLES – GROUP 18

REF. No.	PART No.	DESCRIPTION	QUANTITY
TWISTGRIP			
1	H883	Twistgrip complete	1
2	H905	Body, twistgrip	1
3	H906	Grub screw, body fixing	3
4	H907	Spring, body to rotor tension	1
5	H908	Rivet, body to rotor tension spring	1
6	H909	Rotor sleeve, twistgrip	1
7	H906	Grub screw, cable to rotor fixing	1
8	H910	Clip, twistgrip body	1
9	H911	Screw, twistgrip body clip	2
10	H912	Adjuster, throttle cable... ..	1
11	H913	Locknut, throttle cable adjusting	1
12	H884	Grip, twistgrip rubber	1

CONTROL CABLES – GROUP 18

FRONT BRAKE CABLE			
13	D278	Cable assembly, front brake	1
14	D278C	Casing, front brake cable	1
15	D278W	Wire, front brake cable	1
16	D102	Ferrule, front brake cable casing	2
17	18/107	Nipple, front brake cable wire (Handlebar end)	1
18	DS.73	Nipple, front brake cable wire (Clutch end)	1
19	D279	Adjuster, front brake cable	1
20	F879	Nut, front brake cable adjuster	1
21	D280	Clevis, front brake cable wire	1
22	D281	Pin, front brake cable clevis	1
23	$\frac{1}{8} \times \frac{1}{2}$ "	Split-pin, clevis pin	1
30	D 288	<i>Cable Stop</i>	1
THROTTLE CABLE			
24	D289	Cable assembly, throttle	1
25	D289C	Casing, throttle cable	1
26	D289W	Wire, throttle cable	1
27	12/083	Ferrule, throttle casing	2
28	D83	Nipple, throttle wire (Twistgrip)	1
29	NS191	Nipple, throttle wire (Carburetter)	1

GROUP 19 – NACELLE GEAR INDICATOR

REF. No.	PART No.	DESCRIPTION	QUANTITY
GEAR INDICATOR CABLE			
1	D282	Cable assembly, gear indicator... ..	1
2	D282C	Casing, gear indicator cable	1
3	D282W	Wire, gear indicator cable	1
4	I2/083	Ferrule, gear indicator casing	2
5	D285	Nipple, gear indicator cable (Engine end)	1
6	I8/115	Nipple, gear indicator casing (Indicator end)	2
7	E3280	Abutment, gear indicator cable c/case	1
8	D283	Spring, gear indicator cable	1
9	D284	Adjuster, gear indicator cable	1
10	H745	Locknut, gear indicator cable adjuster	1
CLUTCH CABLE			
11	D287	Cable assembly, clutch	1
12	D287C	Casing, clutch cable	1
13	D287W	Wire, clutch cable	1
14	D101	Ferrule, clutch cable casing	2
15	I8/107	Nipple, clutch wire (Handlebar end)	1
16	I8/147	Nipple, clutch cable (Clutch end)	1
17	D267	Adjuster, clutch cable	1
18	D268	Locknut, clutch cable	1
19	D288	Abutment, clutch cable (Handlebar end)	1
20	I6/011	Abutment, clutch cable (Clutch end)	1

NACELLE GEAR INDICATOR – GROUP 19

21	H887	Rack and pinion assembly, indicator	1
22	H890	Spindle assembly, indicator	1
23	H689	Screw, rack and pinion to nacelle	2
24	H894	Finger assembly, indicator	1
25	H904	Plate, indicator position	1
26	H689	Screw, indicator position plate	2

PROPRIETARY FITTINGS

Ancillary equipment which is fitted to our motor cycles is of the highest quality and is guaranteed by the manufacturers and not by ourselves. Any repairs or claims should be sent to the actual maker, or one of their accredited agents who will always give owners every possible assistance. The following are the addresses of the various manufacturers.

CARBURETTERS	Messrs. Amal Ltd., Holford Works, Perry Barr, Birmingham, 20.
CHAINS	The Renold and Coventry Chain Co. Ltd., Didsbury, Manchester.
ELECTRICAL EQUIPMENT	Messrs. J. Lucas, Ltd., Great Hampton Street, Birmingham, 18.
HORN	Messrs. Clear Hooters Ltd. Hampton Street, Birmingham, 19.
SADDLES	Messrs. Terrys Ltd., 210, Corporation Street, Birmingham, 4. Messrs. Wright Saddle Co. Ltd., Dale Road, Selly Oak, Birmingham, 29.
SPARKING PLUGS	K.L.G. Sparking Plugs, Putney Vale, London, S.W.15. Messrs. Lodge Plugs Ltd., Rugby. Champion Sparking Plugs Ltd., Feltham, Middlesex.
SPEEDOMETERS	Messrs. Smiths Motor Accessories Ltd., Cricklewood Works, London, S.W.1.

GROUP 20 — LUCAS ELECTRICAL EQUIPMENT

REF. No. PART No DESCRIPTION QUANTITY

LUCAS ELECTRICAL EQUIPMENT — GROUP 20

ALTERNATOR (RM13)

1	047502	Alternator assembly	1
2	E3203	Grommet, alternator cable	1
3	E3204	Screw, alternator stator to cover	5
4	E1580	Key, rotor to mainshaft... ..	1

RECTIFIER (FSW 1500A)

5	47103A	Rectifier	1
6	F3527	Bracket, rectifier mounting	1
7	F929	Bolt, bracket to seat lug (front)	1
8	S25-3	Washer, bracket to seat lug (front)	1
9	DS57	Bolt, bracket to top bridge seat stays	1
10	F879	Nut, bracket to top bridge seat stays... ..	1
11	E1612	Washer, bracket to top bridge seat stays	1
12	E2922	Nut, rectifier to bracket	1

IGNITION COIL (CQ6)

13	45036A	Coil	1
14	DS57	Bolt, coil to mudguard	2
15	E1612	Washer, coil to mudguard bolt	2
16	F3528	Backing strip, coil to mudguard	1

DISTRIBUTOR (15DI—RO19)

17	40399A	Distributor	1
18	406105	Clamping plate assembly	1
19	421106	Contact set	1
20	421327	Condenser	1
21	421043	Cam	1
22	416199/S	Spring, auto advance	1
23	421056/S	Weights assembly	1
24	421053	Shaft and action plate	1
25	419645	Sundry parts set	1
26	DS57	Bolt, lever to crankcase... ..	1
27	S25-13	Washer, lever to crankcase bolt	1
28	E3309	Sealing ring, distributor	1

BATTERY (PU35E)

29	4082000	Battery	1
----	---------	----------------	---

HEADLAMP (MCF 575)

30	51519A	Headlamp assembly	1
31	516723	Rim, headlamp	1
32	516710	Screw, rim fixing	1
33	500291	Wire, light unit fixing	4

LUCAS ELECTRICAL EQUIPMENT – GROUP 20

REF. No.	PART No.	DESCRIPTION	QUANTITY
12	516728	Light unit	1
13	554946	Adaptor assembly	1
14	554710	Bulbholder, pilot	1
15	553780	Interior, pilot	1
16	312	Bulb, main	1
17	988	Bulb, pilot	1
18	H876	Adjuster screw, headlamp	1
19	H745	Locknut, adjuster screw	1
20	H.875	Spring, adjuster screw	1
LIGHTING AND IGNITION SWITCH (P.R. S8)			
21	31443	Switch	1
		Key, ignition	1
DIPPER SWITCH			
22	380521	Switch, dipper	1
TAIL LAMP (529)			
23	53256A	Lamp, tail	1
24	526404	Lens... ..	1
25	526406	Window, number plate... ..	1
26	133551	Screw, fixing lens	2
27	573825	Grommet, screw... ..	2
29	554719	Bulb holder	1
30	526408	Base, rubber	1
31	988	Bulb	1
32	526410	Screw, lamp to number plate	3
33	166103	Nut, lamp to number plate	3
34	188366	Washer, lamp to number plate	3
STOP TAIL LAMP (525)			
35	53269A	Lamp, stop tail	1
36	573819	Lens	1
37	572072	Screw, lens fixing	2
38	573825	Grommet, lens fixing screw	2
39	860428	Bulb holder	1
40	573814	Gasket, rubber	1
41	352	Bulb	1
42	166014	Nut, lamp to number plate	2
43	188330	Washer, lamp to number plate	2
44	31437A	Switch lamp	1
45	F3158	Spring, lamp switch	1
WIRING HARNESS			
46	835951	Harness wiring	1
HORN (CLEAR HOOTER)			
47	HF150	Horn	1
48	H886	Button, horn (No. 15)	1

GROUP 21 – AMAL CARBURETTER

REF. No. PART No. DESCRIPTION QUANTITY

AMAL CARBURETTER – GROUP 21

Illustrated on opposite page

CARBURETTER

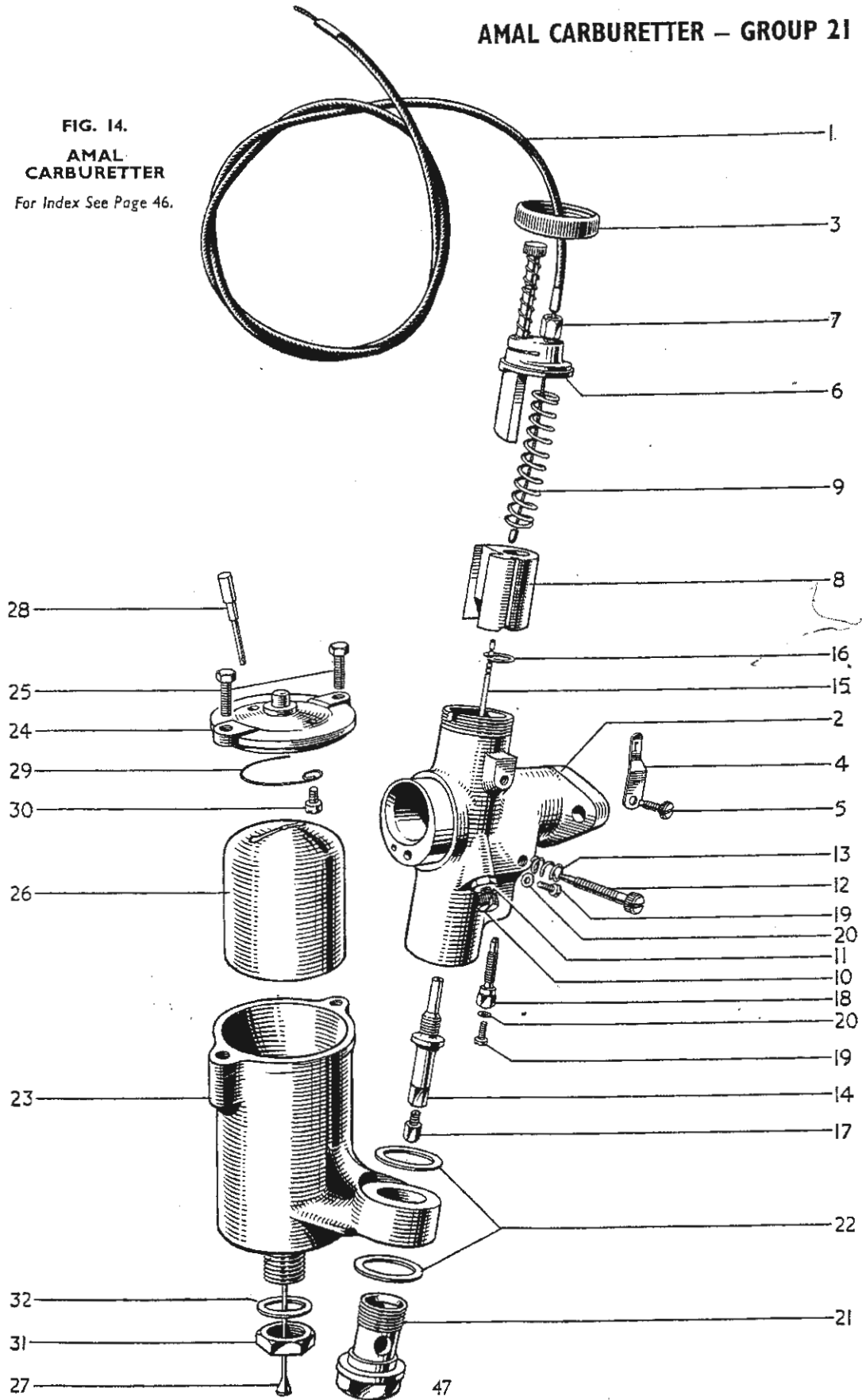
1	332/1	Carburetter, complete	1
MIXING CHAMBER								
2	332/001	Body, mixing chamber	1
3	332/012	Cap, mixing chamber	1
4	332/013	Spring, mixing chamber cap	1
5	332/014	Screw, mixing chamber cap spring and throttle locating	1
6	332/022	Air valve assembly	1
7	52/068	Adjuster, throttle cable...	1
8	332/005	Valve, throttle	1
9	332/021	Spring, throttle valve	1
10	332/018	Screw, throttle adjusting	1
11	332/020	Nut, throttle adjusting screw	1
12	332/017	Screw, air adjusting	1
13	4/148	Spring, air adjusting screw	1
14	332/002	Jet for needle	1
15	332/003	Needle for jet	1
16	332/004	Clip, jet needle	1
17	4/042	Jet, main (size 100)	1
18	332/016	Jet, pilot	1
19	333/016	Screw, pilot jet and mixing chamber	2
20	14/189	Washer, pilot jet and mixing plug chamber	2
21	4/043	Bolt, holding	1
22	4/053	Washer, holding bolt	2

INDEX TO FIG. 14. PAGE 47.

Illust. No.	Part No.	Page No.	Ref. No.	Illust. No.	Part No.	Page No.	Ref. No.
1	D289	41	24	17	4/042 (100)	46	17
2	332/001	46	2	18	332/016	46	18
3	332/012	46	3	19	333/016	46	19
4	332/013	46	4	20	14/189	46	20
5	332/014	46	5	21	4/043	46	21
6	332/022	46	6	22	4/053	46	22
7	520/68	46	7	23	62/214	48	2
8	332/005	46	8	24	62/212	48	3
9	332/021	46	9	25	62/204	48	4
10	332/018	46	10	26	22/016	48	5
11	332/020	46	11	27	22/013	48	6
12	332/017	46	12	28	62/207	48	7
13	4/148	46	13	29	352/208	48	8
14	332/002	46	14	30	352/207	48	9
15	332/003	46	15	31	14/178	48	10
16	332/004	46	16	32	14/175	48	11

AMAL CARBURETTER - GROUP 21

FIG. 14.
AMAL
CARBURETTER
For Index See Page 46.



GROUP 22 – SPEEDOMETER
GROUP 23 – SPARKING PLUG

REF. No. PART No. DESCRIPTION QUANTITY

FLOAT CHAMBER

1	3EB	Float chamber complete	1
2	62/214	Body, float chamber	1
3	62/212	Cover, float chamber complete	1
4	62/204	Screws, float chamber cover	2
5	22/016	Float	1
6	22/013	Needle, float	1
7	62/207	Tickler	1
8	352/208	Spring, tickler	1
9	352/207	Screw, tickler spring fixing	1
10	14/178	Locknut, seating	1
11	14/175	Washer, seating locknut	1

CARBURETTER FIXINGS (TRIUMPH)

12	E3254	Block, insulating carb to head	1
13	E3250	Joint washer, carb to head	2
14	F879	Nut, carburetter flange	2
15	S25-13	Washer, carburetter flange nuts	2

SPEEDOMETER – GROUP 22

16	80421/9/2	Speedometer 70 m.p.h.—NON TRIP	1
17	80421/1/2	Speedometer 120 k.p.h.—NON TRIP	1
18	31/4/2/1	Fixing strap, speedometer to nacelle	1
19	31/1/7	Nut, fixing strap	1
20	D286	Cable assembly speedometer drive, 49" long (53395)	1
21	D286C	Casing, speedometer drive outer (53398)	1
22	D286W	Wire, speedometer drive inner (52108/1)	1
23	D175	Gearbox, speedometer drive (52283/64/3)	1

SPARKING PLUG – GROUP 23

24	H14	Plug, sparking (Lodge)	1
25	L10S	Plug, sparking (Champion)	1
26	F70	Plug, sparking (K.L.G.)	1
27	D297	Cover, sparking plug	1

SADDLE, TWINSEAT AND PILLION SEAT – GROUP 24
CHAINS – GROUP 25

REF. No. PART No. DESCRIPTION QUANTITY

SADDLE, TWINSEAT AND PILLION SEAT – GROUP 24

SADDLE

1	F3501	*Saddle	1
2	F3501C	*Cover, saddle	1
3	F3501D	*Springs, saddle main	2
4	W76	Nut, saddle bracket to frame	4
5	F3502	Stud, saddle bracket to frame	2
6	S25-2	Washer, saddle bracket to frame	4

* State Manufacturer (Terry or Wright) when ordering.

TWINSEAT

7	F3529	Twinseat c/w Attachments	1
8	F3535	Bracket, Twinseat Centre	1
9	F879	Nut, centre bracket to pan	2
10	E1612	Washer, centre bracket to pan	2
11	F3536	Stud, centre bracket to frame	2
12	PO172A	Nut, centre bracket to frame	2
13	S26-1	Washer, centre bracket to frame	2
14	E667	Bolt, front bracket to frame	1
15	SI-51	Nut, front bracket to frame	1
16	S26-3	Washer, front bracket to frame	1
17	DS57	Bolt, rear bracket to mudguard	2
18	F879	Nut, rear bracket to mudguard	2
19	E1612	Washer, rear bracket to mudguard	2

PILLION SEAT

20	F3522	Seat, pillion	1
21	S23-42	Bolt, pillion seat fixing	4
22	S4-9	Nut, pillion seat fixing	4
23	S25-1	Washer, pillion seat fixing	4

CHAINS – GROUP 25

24	D276	Chain, primary endless, 110038— $\frac{3}{8}$ " \times $\frac{1}{8}$ " \times 62 Links ...	1
25	D277	Chain, rear, 110044— $\frac{1}{2}$ " \times .335" \times 112 Links ...	1

GUARANTEE

WE give the following guarantee with our motor cycles, motor cycle combinations and sidecars including all accessories and component parts other than tyres, saddles, chains and lighting and electrical equipment, and other than accessories and component parts supplied to the order of the Purchaser and different from those comprised in the standard specifications supplied with our motor cycles, motor cycle combinations and sidecars, but including accessories and parts supplied by way of exchange as hereinafter provided. This guarantee is given in place of any implied conditions or warranties or any liabilities whatsoever statutory or otherwise ; no guarantee except that hereinafter contained and no conditions or warranty whatsoever statutory or otherwise is given or is to be implied, nor are we to be under any liability whatsoever except under the guarantee hereinafter contained. Any statement, description, condition or representation contained in any catalogue, advertisement, leaflet or other publication shall be construed as enlarging, varying or overriding anything herein contained. In the case of machines (a) which have been used for " hiring out " purposes or (b) any motor cycle and/or sidecar used for any dirt tracks, cinder track or grass track racing or competitions (or any competition of any kind within an enclosure for which a charge is made for admission to take part in or view the competition) or (c) machines from which the trade mark, name or manufacturing number has been altered or removed or (d) any machines in which parts have been used not supplied by or approved by the motor cycle manufacturer, or (e) any machine from which the silencing system as fitted by the manufacturer has been partially or wholly removed or interfered with, no guarantee, condition or warranty of any kind statutory or otherwise is given or is to be implied nor are we to be under any liability whatsoever in respect of any such machine.

We guarantee, subject to the conditions mentioned below, that all precautions which are usual and reasonable have been taken by us to secure excellence of materials and workmanship, but this guarantee is to extend and be in force for six months only in the U.K. and ninety days overseas from date of purchase, or date of exchange in case of any accessory or part supplied by way of exchange as hereinafter provided, and damages for which we make ourselves responsible under this guarantee are limited to the free repair of or supply of a new part or accessory in exchange for the part of the motor cycle, motor cycle combination or side car or accessory which may have proved defective. We undertake, subject to the conditions mentioned below, to make good in manner aforesaid any part or accessory covered by this guarantee which has proved defective within the said period of six months. We do not undertake to replace or refix, or bear the cost of replacing or refixing any such new part or accessory in the motor cycle, motor cycle combination or sidecar. As motor cycles, motor cycle combinations and sidecars are easily liable to derangement by neglect or misuse, this guarantee does not apply to defects caused by wear and tear, misuse or neglect.

The term " misuse " shall include amongst others the following acts :—

1. The attaching of a sidecar to a motor cycle in such a manner as to cause damage or calculated to render the latter unsafe when ridden.
2. The use of a motor cycle or of a motor cycle and sidecar combined, when carrying more persons or a greater weight than that for which the machine was designed by the manufacturers.
3. The attaching of a sidecar to a motor cycle by any form of attachment not provided, supplied, or approved by the manufacturers, or to a motor-cycle which is not designed for such use.

We do not guarantee tyres, saddles, chains or lighting and electrical equipment, or any accessories or component parts supplied to the order of the Purchaser differing from those comprised in the standard specifications supplied with our motor cycles, motor cycle combinations or sidecars. As regards all such tyres, saddles, chains, lighting and electrical equipment, accessories and component parts, no guarantee, condition or warranty of any kind statutory or otherwise is given or is to be implied, and we are to be under no liability whatsoever in respect thereof.

CONDITIONS OF GUARANTEE

If a defective part or accessory should be found in our motor cycles, motor cycle combinations or sidecars, or in any part or accessory supplied by way of exchange as before provided, it must be sent to us CARRIAGE PAID, and accompanied by an intimation from the owner that he desires to have it repaired or exchanged free of charge under our guarantee and he must also furnish us at the same time with the frame number of the machine, the date of purchase or the date when the alleged defective part or accessory was exchanged as the case may be.

Failing compliance with the above, such articles will lie here at THE RISK OF THE OWNER, and this guarantee and any implied guarantee, warranty or condition, shall not be enforceable.

REPAIRS

Any motor cycle, motor cycle combination or sidecar sent to us to be plated, enamelled or repaired will be repaired upon the following conditions, i.e., we guarantee that all precautions which are usual and reasonable have been taken by us to secure excellence of materials and workmanship, such guarantee to extend and be in force for three months only from the time such work shall have been executed, and this guarantee is in lieu and in exclusion of all conditions and warranties statutory or otherwise and all liabilities whatsoever and the damages recoverable are limited to the cost of any further work which may be necessary to amend and make good the work found to be defective.

NOTICE

We do not appoint agents for the sale on our behalf of our motor cycles or other goods, but we assign to motor cycle Dealers areas in which we supply to such Dealers exclusively for re-sale in such areas. No such Dealer is authorised to transact any business, give any warranty, make any representation or incur any liability on our behalf. All goods are offered for sale subject to the price ruling at time of delivery. We reserve the right to modify or deviate from the published specification.

INDEX

	Page No.
Group 1—CARTON PACKS	5
Group 2—ENGINE	7
Crankcase... ..	9
Crankcase bearings (engine)	9
Crankcase filter	9
Cylinder barrel	7
Cylinder head	7
Engine sprocket	12
Flywheels and connecting rod	9
Gasket set	13
Inner cover drive side	12
Inner cover timing side	13
Oil pump	12
Overhead rocker, covers, etc.	8
Outer cover drive side	12
Outer cover timing side	13
Piston	7
Push rods and cover	8
Rocker oil pipe and fittings	8
Tappets	8
Timing gears and camshaft	12
Valves, guides, springs, etc.	7
Group 3—GEARBOX AND CLUTCH	14
Camplate	14
Clutch	16
Clutch control	18
Footchange mechanism	14
Filler, level and drain plugs	16
Gearbox casing bearings	15
Gearbox sprocket	16
Kickstarter	16
Selector forks and spindle	14
Shafts and gears	14
Group 4—EXHAUST SYSTEM	18
Exhaust pipe	18
Silencer	18
Group 5—FRAME	19
Frame	19
Rear suspension	19
Group 6—CENTRE STAND	19

	Page No.
Group 7—TELESCOPIC FRONT FORK	24
Front fork	24
Steering races	25
Licence holder	25
Group 8—WHEELS	27
Front wheel	27
Front wheel brake	27
Rear wheel	29
Rear wheel brake	29
Rear wheel chain adjuster	30
Group 9—MUDGUARDS AND REAR CARRIER	30
Front mudguard	30
Rear mudguard	32
Rear carrier	32
Group 10—NUMBER PLATES	32
Front number plate	32
Rear number plate	32
Group 11—REAR CHAINGUARD	33
Group 12—TOOLBOX, BATTERY AND AIR CLEANER ASSEMBLY	33
Group 13—TOOLS	34
Group 14—PETROL AND OIL TANKS	37
Oil tank	37
Petrol tank	37
Group 15—FOOTRESTS	38
Rider's footrest	38
Pillion footrest	38
Group 16—REAR BRAKE PEDAL	39
Group 17—HANDLEBAR AND FITTINGS	39
Control levers	39
Handlebar	39
Twistgrip	41

	Page No.
Group 18—CONTROL CABLES	41
Clutch cable	42
Front brake cable	41
Gear indicator cable	42
Throttle cable	41
 Group 19—NACELLE GEAR INDICATOR	 42

PROPRIETARY FITTINGS

Group 20—LUCAS ELECTRICAL EQUIPMENT	44
 Group 21—AMAL CARBURETTER	 46
Carburetter	46
Carburetter fixings (Triumph)... ..	48
Mixing chamber	46
Float chamber	48
 Group 22—SPEEDOMETER	 48
 Group 23—SPARKING PLUG	 48
 Group 24—SADDLE TWINSEAT AND PILLION SEAT	 49
Saddle	49
Twinseat	49
Pillion seat	49
 Group 25—CHAIN GROUP	 49

INDEX TO ILLUSTRATIONS

		Page No.
Fig. 1.	Engine and gearbox unit	10
„ 2.	Mainshaft and layshaft gears	15
„ 3.	Clutch and shock absorber unit... ..	17
„ 4.	Frame and components	20
„ 5.	Rear suspension	21
„ 6.	Telescopic front fork	22
„ 7.	Front wheel	26
„ 8.	Rear wheel... ..	28
„ 9.	Mudguard, number plates, carrier and rear chainguard	31
„ 10.	Toolbox, battery carrier and air cleaner	34
„ 11.	Tools	35
„ 12.	Petrol and oil tanks	36
„ 13.	Handlebar and components	40
„ 14.	Amal carburetter	47

To assist the owner and dealer in identifying requirements, this book contains numerous exploded views of the major assemblies. Each component part on the illustration is numbered, and by cross reference to the appropriate index, the part number of the component will be found. Against each part number a page and reference number is shown and by referring to the appropriate page, the full description of the part will be found against the reference number.

EXAMPLE.

To find the part number of the cylinder head gasket :

1. Refer to the illustration index above, where it will be found that the engine is illustrated on page 10.
2. Note that the number of the gasket in the illustration is 9.
3. Refer to the index on page 11.
4. Note that illustration number 9 is part number E3217 listed on page 7, line 16.

*Tournez s'il vous plait.
Véase al dorso.
Bitte wenden.*

MANIÈRE D'IDENTIFIER LA PIÈCE DE RECHANGE REQUISE

Afin d'assister MM. les marchands et MM. les possesseurs à l'identification des pièces de rechange, ce livre contient de nombreuses illustrations des montages principaux en façon de "perspectives éclatées".

Chaque pièce composante à l'illustration est numérotée ; en se référant à l'index approprié on peut trouver le numéro relatif.

À côté de chaque pièce illustrée se trouve le numéro de la page et le numéro de référence ; en se référant à la page appropriée la description complète de la pièce sera facilement constatée.

Exemple.

Pour identifier le numéro de référence du joint de culasse :

1. Se référer à la page intitulée "Index to Illustrations" où on trouvera que le moteur est illustré sur la page 10.
2. Noter qu'à côté du joint de culasse se trouve le numéro 9.
3. Se référer à l'index donné sur la page numéro 11.
4. On y constatera que suivant le numéro 9 se trouve :
 - (a) le numéro relatif—E.3217
 - (b) le numéro de la page d'index—7
 - (c) la ligne de référence—16.

MANERA DE ENCONTRAR LA PIEZA DESEADA

Para ayudar al propietario y al representante en la identificación de las piezas deseadas este libro contiene numerosas ilustraciones de los principales montajes.

Cada pieza componente en la ilustración está numerada y al referirse al índice apropiada, se encontrará el número de la pieza.

Contra el número de cada pieza se muestra el número de referencia, y al referirse a la página apropiada, la descripción completa de cada pieza se encontrará contra el número de referencia.

Ejemplo.

Para encontrar el número de pieza de la empaquetadura de la culata de cilindro ;

1. Referirse a la página "Index to Illustrations" donde se verá que la ilustración del motor está en la página 10.
2. Nótese que el número de la empaquetadura en la ilustración es 9.
3. Referirse al índice de la ilustración en cuestión en la página 11.
4. Nótese que no. 9 es pieza número E.3217 en la lista de la página 7, línea de referencia no. 16.

ANWEISUNG ZUR IDENTIFIZIERUNG BENOETIGTER ERSATZTEILE

Dieses Buch enthält zahlreiche Zerlege-Abbildungen der Hauptzusammenstellungen, um dem Besitzer und dem Verteiler beim Identifizieren seiner Förderungen zu helfen. Jedes Teil auf der Abbildung ist mit einer Nummer versehen, und die Bestandteilnummer wird durch Nachschlagen des bezüglichen Verzeichnisses gefunden. Mit jeder Teilnummer ist die Seite und die Referenznummer gegeben, und durch Nachschlagen der bezüglichen Seite wird die vollständige Beschreibung des Teiles unter der Referenznummer gefunden.

Zum Beispiel.

Um die Nummer der Zylinderkopfdichtung zu finden :

1. Schlagen Sie das Abbildungsverzeichnis, oben, nach, wo es gefunden wird, dass die Maschine auf Seite 10 abgebildet ist.
2. Merken Sie, dass Nr. 9 ist die Nummer der Dichtung auf der Abbildung.
3. Schlagen Sie das Verzeichnis auf Seite 11, nach.
4. Merken Sie, dass die Abbildungsnummer 9 ist die Teilnummer E3217, eingetragen auf Seite 7, Zeile 19.

GROUP 3 – GEARBOX

APPENDIX

REF. No. PART No. DESCRIPTION QUANTITY

GEARBOX AND CLUTCH GROUP

The clutch bearing listed on page 16 under reference number 29, 30 and 31 is now superseded by a plain cast iron bearing ring. To modify the clutch sprocket to the latter condition, remove the rivets securing the bearing retaining plates when the old bearing assembly can be removed and the new bearing ring sprung into position.

9	T1202	Ring, clutch sprocket bearing	1
---	-------	-------------------------------	-----	-----	-----	-----	---

