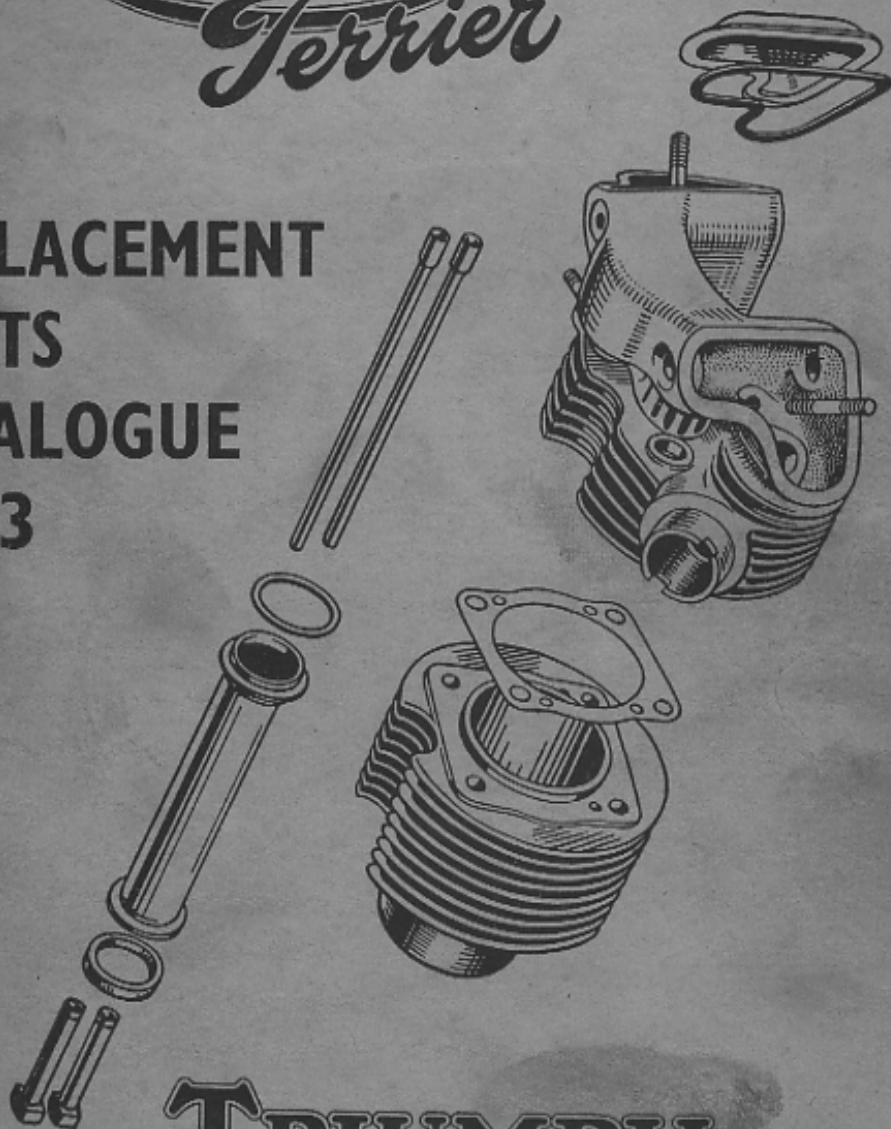


1956

TRIUMPH *Ferrier*

REPLACEMENT
PARTS
CATALOGUE
No. 3



TRIUMPH TIGER CUB

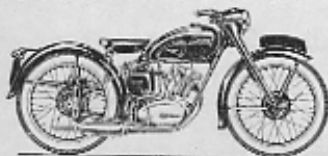
REPLACEMENT PARTS

for the

TRIUMPH
Terrier

TRIUMPH
TIGER CUB

AND



150 cc O.H.V.



200 cc O.H.V.

Up to Engine No. 17388

TRIUMPH

THE BEST MOTOR CYCLE IN THE WORLD

Triumph Engineering Co. Ltd., Meriden Works, Allesley, Coventry
Tel. Meriden 331

Published February 1956

PREFACE

BEFORE ordering parts for your machine, please read very carefully the instructions contained in the next paragraph. In many cases the information given in the order is insufficient to enable us to identify the customers' requirements with certainty. Delay is frequently occasioned by our having to refer the order back for further particulars before we can supply.

HOW TO ORDER. Every part is indicated by a number and this should be quoted together with the description. In order to assist customers, parts where possible have been listed in order of assembly and exploded illustrations show the assembly order also. By each illustration, is an index quoting the part numbers of the various items and a cross reference to enable the customer to recognise the part by description (See page 57 for further details). With these aids there should be no difficulty in identifying the parts you require. Always quote the engine number and prefix letter stamped on the left hand (drive side) of the crankcase below the cylinder base flange. Always use a separate sheet of writing paper for your order if you are sending a letter as well.

SPECIMEN ORDER

To Triumph Engineering Co. Ltd.,
Spares Department,
Meriden Works,
Allesley,
Coventry.

2/1/56

Engine No. T.15-9231

Please supply :—

1 — GST15/53 — Gasket Set

1 — E3146 — Valve, Inlet

* Send C.O.D.

Wm. Smith,
1a, Ewell Avenue,
Ewell, Surrey.

* For terms of business see page 3

TELEGRAPHIC ORDERS. Orders by telegram should be addressed to "Trusty 60221 Coventry." They are then telephoned to us, which prevents delay in delivery. It is only necessary to quote part numbers in telegraphic orders, the description can be omitted.

PATTERNS AND PARTS FOR REPAIR. It is not necessary to send patterns if the part number is quoted. The sending of patterns often delays the order as parcel post or rail takes longer than letter post.

Parts sent to Coventry for repair, replacement or as patterns, should bear the sender's name and address and clear instructions should accompany the parts. All parts must be forwarded carriage paid and care should be taken to ensure that all remittances are sent separately and not enclosed with the parts. Fragile units such as cylinders, etc., should always be boxed to avoid damage in transit. Complete machines should have all fittings such as horns, driving mirrors, tools, etc., removed by the sender before despatch, as it is impossible for us to accept responsibility in the event of loss in transit. We are always pleased to give estimates for overhauls and repairs, but should an estimate not be accepted, a charge will be made covering cost of dismantling and re-assembling, if carried out.

Communications relating to parts should be addressed to the SPARES MANAGER and for repairs, guarantee claims and technical advice to the SERVICE MANAGER.

In order to facilitate quick reference, the quoting of any order number, invoice number or reference from previous communications is of essential importance. **Accessories not of our manufacture should be sent direct to the actual makers, whose names and addresses appear on page 45.**

WHERE TO OBTAIN. Triumph Replacement Parts may be obtained from any Triumph Dealer, and we recommend our customers to place their orders with the Triumph Dealer in their district, as we do not normally supply direct. When parts not usually asked for are required, and for which the Dealer may have to wire or obtain specially, the postage or carriage incurred becomes payable.

We are not able to supply Transfers as originally affixed to Triumph Motor Cycles, but we are at all times willing to supply a Transfer denoting that the machine is of genuine Triumph manufacture, providing the Frame and Engine prefix letters and numbers are quoted.

Customers are warned against the risk incurred by purchasing parts which are not of genuine Triumph manufacture. The risk is eliminated if parts are ordered as instructed, either from our recognised Dealers, or direct from the Spares Department, Meriden Works, Allesley, Coventry.

TERMS OF BUSINESS

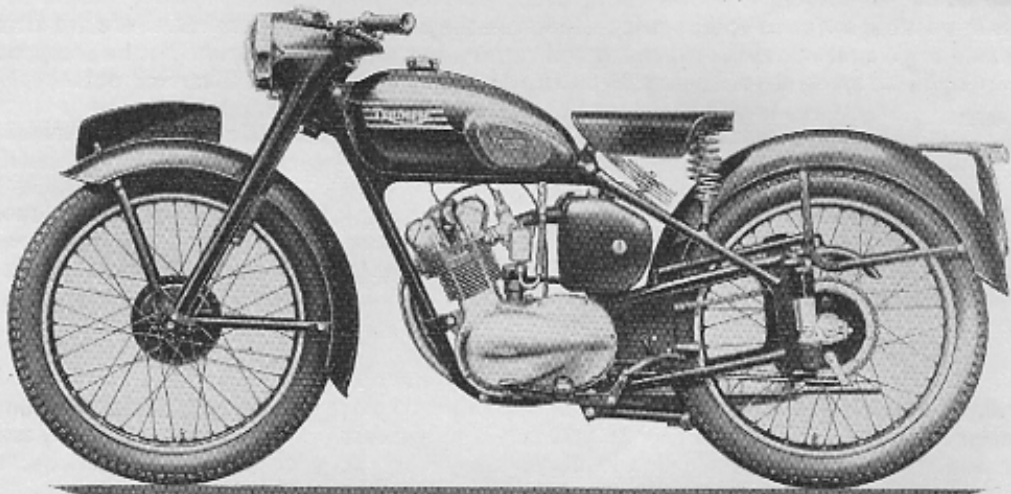
THE most convenient method of paying for spare parts is by the C.O.D. system. By this method you pay the postman for the goods when he delivers them to you. As the minimum C.O.D. collection fee is 10d., only goods to the value of 2/- or over can be sent by this system. We do not despatch goods by rail C.O.D.

Where goods are not sent C.O.D., cash must accompany the order. All remittances should be made payable to the Triumph Engineering Co., Ltd., and crossed "Barclay's Bank Ltd.", if in the form of Postal Order or Cheque. Letters containing currency notes must be registered.

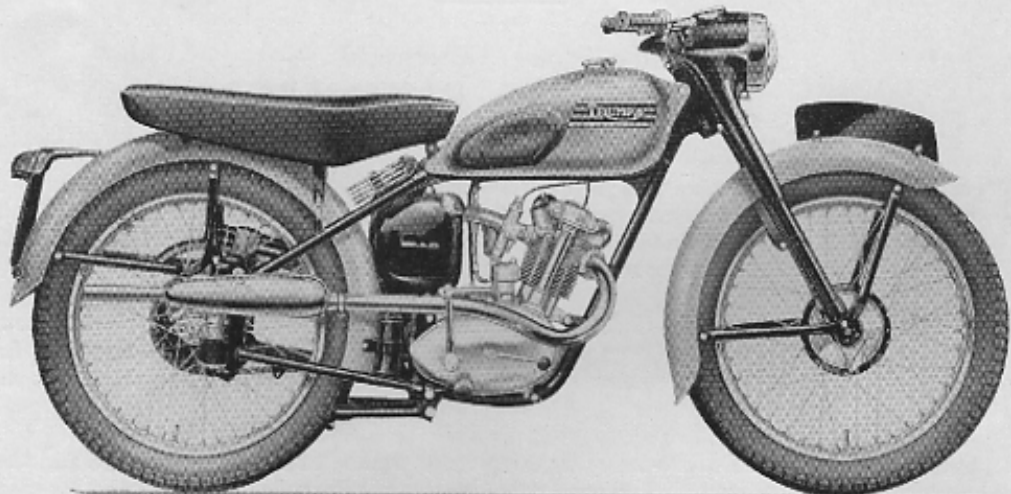
Should a remittance be forwarded by telegraphic money order, the name and address of the sender must be inserted in the space provided on the Post Office requisition form for a private message from remitter to payee. Unless this is complied with the Post Office omit such information from the telegram and we are not then in a position to trace the sender.

Postage, carriage and packing is charged at 2½% on the value of the goods, minimum charge 6d. Packing boxes, cases, crates, etc., are charged for at cost and are returnable.

TRIUMPH
Ferrier



TRIUMPH
TIGER CUB



CARTON PACK — GROUP I

CARTON PACK — GROUP I

The following sub-assemblies are supplied in carton packs under the C.P. part number stated. The contents of these carton packs are preserved and will not deteriorate under adverse conditions.

<i>Part No.</i>	<i>Description and Contents</i>								
Big End Assembly (Plain Bearing Type)									
CP.148	...	1	E.3341	Connecting rod c/w bushes
		1	E.3414	Crankpin c/w plug
CP.149	...	1	E.3343	Bush, big end
<i>Export only</i>	...	1	E.1762	Bush, small end
		1	E.3414	Crankpin c/w plug
Brake linings									
CP.128	...	2	W.978	Linings
		14	W.979	Rivets
Clutch Inserts									
CP.127	...	20	T.1127	Cork insert, sprocket
		40	NT.288	Cork insert, plate
Piston Assembly									
CP.120	...	1	E.3148	Piston body
		2	E.3153	Ring, compression
		1	E.3154	Ring, scraper
		1	E.1750	Pin, gudgeon
		2	E.1767	Circlip
CP.120/20	...	1	E.3148/20	Piston body + .020"
		2	E.3153/20	Ring, compression + .020"
		1	E.3154/20	Ring, scraper + .020"
		1	E.1750	Pin, gudgeon
		2	E.1767	Circlip
CP.120/40	...	1	E.3148/40	Piston body + .040"
		2	E.3153/40	Ring, compression + .040"
		1	E.3154/40	Ring, scraper + .040"
		1	E.1750	Pin, gudgeon
		2	E.1767	Circlip
CP.141	...	1	E.3358	Piston body
		1	E.3380	Ring, chrome compression
		1	E.656	Ring, compression
		1	E.3387	Ring, scraper
		1	E.1750	Pin, gudgeon
		2	E.1767	Circlip, gudgeon pin

GROUP I — CARTON PACK

Part No.							Description and Contents	
Piston Rings								
CP.121	...	2	E.3153	Ring, compression
		1	E.3154	Ring, scraper
CP.121/20	...	2	E.3153/20	Ring, compression + .020"
		1	E.3154/20	Ring, scraper + .020"
CP.121/40	...	2	E.3153/40	Ring, compression + .040"
		1	E.3154/40	Ring, scraper + .040"
CP.150	...	1	E.3380	Ring, chrome compression
		1	E.656	Ring, compression
		1	E.3387	Ring, scraper
Rear Suspension Spring Set								
CP.130	...	2	F.3425	Spring, main
		2	F.3426	Spring, rebound
Steering Races								
CP.129	...	2	H.835	Cup, steering race
		2	H.833	Cone, steering race
		30	S70-3	Ball, steering race
Valves								
CP.124	...	1	E.3146	Valve, inlet
		1	E.3147	Valve, exhaust
Valve Guides								
CP.122	...	2	E.3208	Valve guide, inlet and exhaust
		2	E.3209	Circlip
Valve Springs								
CP.123	...	2	E.3214	Spring, valve inner
		2	E.3215	Spring, valve outer

For Indexes see Pages 54 to 57

ENGINE — GROUP 2

REPLACEMENT PARTS

REF. No. PART No. DESCRIPTION QUANTITY

ENGINE — GROUP 2

Illustrated on Page 10—Fig. 1

CYLINDER BARREL

T15 T20

1	E3142	Barrel, cylinder	1	—
2	E3385	Barrel, cylinder	—	1
3	E3216	Washer, cylinder base	1	—
4	E3368	Washer, cylinder base	—	1
5	E3386	Dowel, cylinder barrel to head	—	2

PISTON

6	CPI20†	Piston c/w rings, gudgeon pin, etc.	1	—
7	CPI41†	Piston c/w rings, gudgeon pin, etc.	—	1
8	E3153	Ring, compression	2	—
9	E3380	Ring, chrome compression	—	1
10	E656	Ring, compression	—	1
11	E3153/20	Ring, compression	2	—
12	E3153/40	Ring, compression	2	—
13	E3154	Ring, scraper	1	—
14	E3387	Ring, scraper	—	1
15	E3154/20	Ring, scraper	1	—
16	E3154/40	Ring, scraper	1	—
17	E1750	Pin, gudgeon	1	1
18	E1767	Circlip, gudgeon pin	2	2

† For Contents and Oversizes see page 5.

CYLINDER HEAD

19	E3143	Head, cylinder c/w guides and adaptor	1	1
20	E3217	Gasket, cylinder head	1	1
21	E3207	Adaptor, cylinder head exhaust	1	1
22	E3210	Stud, rocker inspection cover	2	2
23	E1987	Stud, cylinder head to carburetter	2	2
24	E3230	Nut, cylinder head to barrel	4	4
25	E3446	Washer, cylinder head to barrel	4	4

GROUP 2 — ENGINE

REF. No.	PART No.	DESCRIPTION	QUANTITY	
			T15	T20
VALVES, GUIDES, SPRINGS, ETC.				
1	E3146	Valve, inlet	1	1
2	E3147	Valve, exhaust	1	1
3	E3208	Guide, inlet and exhaust	2	2
4	E3209	Circlip, inlet and exhaust guide	2	2
5	E3214	Spring, valve inner	2	2
6	E3215	Spring, valve outer	2	2
7	E3301	Collar, valve spring top	2	2
8	E3213	Cup, valve spring bottom	2	2
9	WE259A	Cotter, valve split	4	4
OVERHEAD ROCKERS, COVERS, ETC.				
10	E3251	Rocker, inlet assembly	1	1
11	E3252	Rocker, exhaust assembly	1	1
12	E3222	Ball pin, rocker	2	2
13	E3223	Adjuster, rocker	2	2
14	GS662	Locknut, rocker adjuster pin	2	2
15	E3225	Spindle, rocker inlet and exhaust	2	2
16	E3253	Sealing ring, rocker spindle	2	2
17	E2534	Thrust washer, rocker spindle D.S.— $\frac{7}{16}$ "	4	4
18	E2594	Thrust washer, rocker spindle T.S.— $\frac{3}{8}$ "	2	2
19	E3224	Thackeray washer, rocker spindle (spring)	2	2
20	E3227	Cover, rocker inlet inspection	1	1
21	E3228	Cover, rocker exhaust inspection	1	1
22	E3226	Washer, rocker cover joint	2	2
23	E3290	Nut, rocker cover to head	2	2
24	E2441	Washer, rocker cover to head nut	2	2
PUSH RODS AND COVER				
25	E3235	Rod, push	2	-
26	E3372	Rod, push	-	2
27	E3536	Cover, push rod	1	-
28	E3537	Cover, push rod	-	1
29	E3172	Peg, cover to crankcase locating	1	1
30	E3540	Washer, push rod cover joint (upper)	1	1
31	E3391	Washer, push rod cover joint (lower)	1	1
TAPPETS				
32	E3285	Tappet	2	2
ROCKER OIL PIPE AND FITTINGS				
33	E3244	Pipe, rocker oil	1	1
34	H400	Nut, rocker oil pipe to spindle	2	2

ENGINE — GROUP 2

REF. No.	PART No.	DESCRIPTION	QUANTITY	
			T15	T20
1	E1335	Washer, rocker oil pipe inner joint	2	2
2	E3249	Washer, rocker oil pipe outer joint	2	2
3	E3383	Connection, oil tank to oil pipe (Rubber)	1	1
FLYWHEEL AND CONNECTING ROD (PLAIN BEARING TYPE)				
4	E3417	Flywheel and connecting rod assembly	1	-
5	E3422	Flywheel and connecting rod assembly	-	1
6	E3336	Flywheel D/S c/w mainshaft	1	-
7	E3360	Flywheel D/S c/w mainshaft	-	1
8	E3419	Flywheel T/S	1	-
9	E3424	Flywheel T/S	-	1
10	E3341	Rod, connecting (complete)	1	1
11	E3343	Bush, big end	1	1
12	E1762	Bush, small end	1	1
13	E3414	Crankpin c/w plug	1	1
14	E3292	Flug, crankpin	2	2
15	E3420	Plug, T/S Flywheel	2	2
CRANKCASE				
16	E3541	Crankcase assembly, c/w bushes	1	-
17	E3545	Crankcase assembly, c/w bushes	-	1
18	E3170	Stud, crankcase to cylinder head	4	-
19	E3365	Stud, crankcase to cylinder head	-	4
20	E3171	Stud, crankcase to oil junction block	1	1
21	T989	Dowel, crankcase T.S., to inner cover (hollow)	2	2
22	E3169	Dowel, crankcase to oil junction block	1	1
23	E3534	Pipe, crankcase oil return	1	1
24	E3168	Clip, crankcase oil return pipe	1	1
25	T1076	Screw, crankcase oil return pipe	1	1
26	E2615	Plug, crankcase oil gauge test hole	1	1
27	E1335	Washer, crankcase, plug	1	1
CRANKCASE BEARINGS (ENGINE)				
28	E3173	Bearing, T.S. (Plain)	1	1
39	E3172	Peg, T.S. bearing	1	1
30	E3175	Bush, camshaft	1	1
31	E3518	Bush, distributor and oil pump shaft	1	1
CRANKCASE FILTER				
32	E3177	Filter, crankcase	1	1
33	E3176	Spring, crankcase filter	1	1
34	E3302	Washer, crankcase filter spring	1	1
35	E1564	Cap, crankcase filter	1	1
36	E1577	Washer, crankcase filter joint	1	1

GROUP 2 — ENGINE

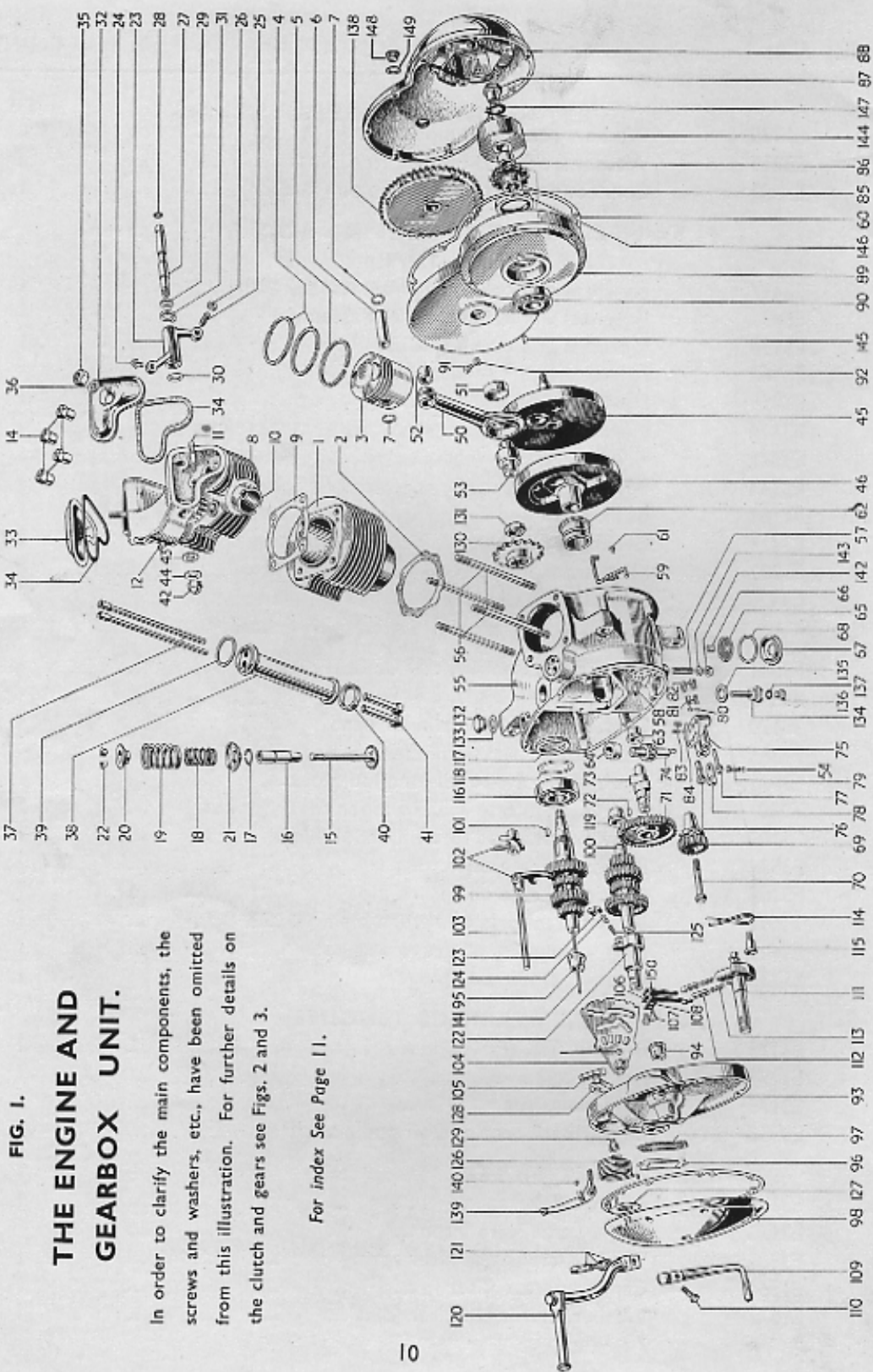


FIG. 1.

THE ENGINE AND GEARBOX UNIT.

In order to clarify the main components, the screws and washers, etc., have been omitted from this illustration. For further details on the clutch and gears see Figs. 2 and 3.

For index See Page 11.

ENGINE — GROUP 2

INDEX TO FIG. 1 — PAGE 10

Illust. No.	Part No.	Page No.	Ref. No.	Illust. No.	Part No.	Page No.	Ref. No.	Illust. No.	Part No.	Page No.	Ref. No.
1	E3142	7	1	46	E3419	9	8	100	(See Page 15)		
"	E3385	7	2	"	E3424	9	9	101	T1119	14	2
2	E3216	7	3	50	E3341	9	10	102	T1098	14	12
"	E3368	7	4	51	E3343	9	11	103	T1102	14	13
3	CP120	7	6	52	E1762	9	12	104	T1066	14	14
"	CP141	7	7	53	E3414	9	13	105	T1069	14	15
4	E3153	7	8	54	E3413	12	13	106	T1248	14	17
"	E3380	7	9	55	E3541	9	16	107	T1076	14	19
"	E656	7	10	"	E3545	9	17	108	T1180	14	20
5	E3154	7	13	56	E3170	9	18	109	T1164	14	21
"	E3387	7	14	"	E3365	9	19	110	F1369	14	22
6	E1750	7	17	57	E3171	9	20	111	T1259	14	23
7	E1757	7	18	58	T989	9	21	112	T1184	14	25
8	E3143	7	19	59	E3534	9	23	113	T1278	14	26
9	E3217	7	20	60	E3344	12	25	114	T1109	14	28
10	E3207	7	21	61	T1076	9	25	115	T1077	14	29
11	E3210	7	22	62	E3173	9	28	116	T1070	15	1
12	E1987	7	23	63	E3175	9	30	117	T1071	15	2
14	E3230	7	24	64	E3518	9	31	118	T1072	15	3
15	E3146 (ln)	8	1	65	E3177	9	32	119	T1073	15	4
"	E3147 (ex.)	8	2	66	E3176	9	33	120	T1165	16	1
16	E3208	8	3	67	E1564	9	35	121	S52-1	16	7
17	E3209	8	4	68	E1577	9	36	122	T1279	16	8
18	E3214	8	5	69	E3178	12	1	123	T1281	16	10
19	E3115	8	6	70	E3421	12	2	124	T1282	16	11
20	E3301	8	7	71	E3185	12	3	125	T1161	16	12
21	E3213	8	8	72	E3184	12	4	126	T1162	16	14
22	WE.259A	8	9	73	E3183	12	5	127	T1163	16	15
23	E3251 (ln.)	8	10	74	E3186	12	6	128	T1157	16	16
"	E3252 (ex.)	8	11	75	E3409	12	7	129	T1158	16	17
24	E3222	8	12	76	E3194	12	10	130	T1081	16	18
25	E3223	8	13	77	E3410	12	9	"	T1204	16	19
26	GS.662	8	14	78	E3195	12	11	131	T1082	16	20
27	E.3225	8	15	79	E3412	12	12	132	T110	16	21
28	E3253	8	16	80	S70-4	12	14	133	E697	16	22
29	E2534	8	17	81	E3191	12	15	134	T112	16	23
30	E2594	8	18	82	E3192	12	17	135	T1257	16	24
31	E3224	8	19	83	E3191	12	15	136	T361	16	25
32	E3228	8	21	84	T1124	12	16	137	WE170	16	26
33	E3227	8	20	85	E3201, 19	12	21	138	T1365	60	1
34	E3226	8	22	86	W954	12	22	139	T1233	18	15
35	E3290	8	23	87	465909	46	8	140	T1124	18	19
36	E2441	8	24	88	E3150	12	23	141	T1252	18	22
37	E3372	8	25	"	E3382	12	24	142	F879	38	7
"	E3536	8	26	89	E3198	12	31	143	S25-13	38	8
38	E3537	8	27	90	E3152	12	34	144	465904	46	3
"	E3540	8	28	91	DS57	13	2	145	E1580	46	46
39	E3391	8	30	92	WE170	13	3	146	E3379	12	35
40	E3285	8	31	93	E3416	13	4	147	465910	46	9
41	H400	8	32	94	E3293	13	5	148	E732	12	29
42	E1335	8	34	95	T1147	13	7	149	NE507	12	30
43	E3249	9	1	96	T1149	13	8	150	T1249	14	18
44	E3336	9	2	97	T1148	13	9				
45	E3360	9	6	98	E3151	13	10				
"		9	7	99	(See Page 15)						

GROUP 2 — ENGINE

REF. No.	PART No.	DESCRIPTION	QUANTITY	
			T15	T20
TIMING GEARS AND CAMSHAFT				
1	E3178	Pinion, timing and distributor drive	1	1
2	E3421	Bolt, timing and distributor pinion	1	1
3	E3185	Pinion, camshaft (50T)	1	1
4	E3184	Key, camshaft pinion	1	1
5	E3183	Camshaft, inlet and exhaust	1	1
6	E3186	Pinion and shaft, distributor and oil pump drive	1	1
OIL PUMP				
7	E3393	Oil pump assembly	1	1
8	E3409	Body, oil pump	1	1
9	E3410	Plunger, oil feed	1	1
10	E3194	Plunger, oil scavenge	1	1
11	E3195	Rod, connecting drive	1	1
12	E3412	Pin, connecting drive rod	1	1
13	E3413	Circlip, connecting drive rod	1	1
14	S70-4	Ball, oil pump body	2	2
15	E3191	Spring, oil pump body and auxiliary valves	4	4
16	T1124	Ball, auxiliary valve	2	2
17	E3192	Plug, oil pump body	2	2
18	E3197	Bolt, oil pump to crankcase	2	2
19	GS299	Lockwasher, oil pump to crankcase (serrated)	2	2
20	E3188	Washer, oil pump to crankcase joint	1	1
ENGINE SPROCKET				
21	E3201/19	Sprocket engine 19T	1	1
22	W954	Distance piece, sprocket and rotor	1	1
		See Page 46 for locknut and washer		
OUTER COVER, DRIVE SIDE				
23	E3150	Cover, crankcase D.S. outer	1	-
24	E3382	Cover, crankcase D.S. outer	-	1
25	E3344	Washer, cover joint	1	1
26	E3205	Screw, outer cover, long	4	4
27	E3200	Screw, outer cover, short	4	4
28	E3204	Screw, outer cover, medium	1	1
29	E732	Plug, oil filler	1	1
30	NE507	Washer, oil filler joint	1	1
INNER COVER, DRIVE SIDE				
31	E3543†	Cover, crankcase D.S. inner	1	1
32	E3199	Dowel, inner cover to crankcase front	1	1
33	T989	Dowel, inner cover to outer cover rear	1	1
34	E3152	Bearing, engine flywheel mainshaft	1	1
35	E3379	Oil seal, mainshaft bearing	1	1

†See Page 60 before ordering.

ENGINE — GROUP 2

REF. No.	PART No.	DESCRIPTION	QUANTITY	
			T15	T20
1	E3445	Screw, inner cover to crankcase	2	2
2	DS57	Plug, oil level and drain...	2	2
3	WE170	Washer, oil level and drain plugs	2	2
INNER COVER, TIMING SIDE				
4	E3416	Cover, inner T.S. c/w bushes and clutch lever	1	1
5	E3293	Bush, camshaft	1	1
6	E3172	Peg, camshaft bush	1	1
7	T1147	Bush, gearbox mainshaft	1	1
8	T1149	Plate, inner cover	1	1
9	T1148	Washer, inner cover plate (Cork)	1	1
10	T1150	Screw, inner cover plate	2	2
11	E3204	Screw, inner cover to crankcase (front and rear)	2	2
12	E3220	Screw, inner cover to crankcase (short)	1	1
13	E3221	Screw, inner cover to crankcase (long)	1	1
14	F3775	Vent pipe, inner cover breather (PVC)	1	1
15	XA69	Clip, vent pipe to clutch cable	1	1
OUTER COVER, TIMING SIDE				
16	E3151	Cover, outer T.S.	1	1
17	E3345	Washer, cover joint	1	1
18	E3221	Screw, outer T.S. cover (long)...	1	1
19	E3231	Screw, outer T.S. cover (medium)	7	7
20	E3220	Screw, outer T.S. cover (short)	1	1
GASKET SET				
21	GST15/55	Gasket set	1	-
22	GST20/55	Gasket set	-	1

WHEN ORDERING :

ALL GOODS MUST BE SENT TO THE WORKS CARRIAGE PAID

ALWAYS WRITE YOUR ORDER IN BLOCK LETTERS

ALWAYS QUOTE ENGINE NUMBER AND PREFIX

DO NOT FORGET TO SIGN YOUR ORDER

SEE SPECIMEN ORDER IN PREFACE

WHEN IN DOUBT SEND SAMPLE

ALWAYS QUOTE PART NUMBERS

GROUP 3 — GEARBOX

REF. No. PART No. DESCRIPTION QUANTITY

GEARBOX AND CLUTCH — GROUP 3

Illustrated on Pages 10, 15 and 17—Figs. 1, 2 and 3

SHAFTS AND GEARS

							T15	T20
1	T1083*	Gear cluster, mainshaft (3rd and low)	1	1
2	T1119	Key, mainshaft to clutch	1	1
3	T1085	Bush, mainshaft clutch rod	1	1
4	T1078	Gear, mainshaft high c/w bush...	1	1
5	T1080	Bush, mainshaft high	1	1
6	T1089	Gear, mainshaft 2nd	1	1
7	T1090	Thrust ring, mainshaft 2nd gear	1	1
8	T1091*	Gear, cluster, layshaft (top and 2nd)	1	1
9	T1094	Gear, layshaft 3rd	1	1
10	T1095	Gear, layshaft low c/w bush	1	1
11	T1097	Bush, layshaft low gear	1	1

* The gear clusters are sold only as an assembly and the parts cannot be obtained separately.

SELECTOR FORKS AND SPINDLE

12	T1098	Fork, mainshaft and layshaft selector	2	2
13	T1102	Spindle, selector fork	1	1

CAMPLATE

14	T1066	Camplate assembly	1	1
15	T1069	Spindle, camplate	1	1
16	$\frac{3}{32}'' \times 1''$	Split pin, camplate to spindle	1	1
17	T1248	Spring, camplate index	1	1
18	T1249	Spring, camplate index (supplementary)	1	1
19	T1076	Screw, camplate index spring	2	2
20	T1180	Lockwasher, camplate index spring	1	1

FOOTCHANGE MECHANISM

21	T1164	Pedal, footchange	1	1
22	F1369	Bolt, footchange pedal	1	1
23	T1259	Spindle, quadrant and plunger assembly	1	1
24	T1181	Feltwasher, footchange spindle	1	1
25	T1184	Plunger, footchange gear selector	2	2
26	T1278	Spring, footchange gear selector plunger	2	2
27	$\frac{5}{64}'' \times \frac{3}{4}''$	Split pin, footchange gear selector plunger	2	2
28	T1109	Spring, footchange return	1	1
29	T1077	Pin, footchange return spring anchorage	1	1
30	E2287	Washer, footchange return spring anchorage	1	1
31	T449	Rubber, footchange pedal	1	1

GEARBOX — GROUP 3

REF. No.	PART No.	DESCRIPTION	QUANTITY	
GEARBOX CASING BEARINGS				
			T15	T20
1	T1070	Bearing, D.S. gearbox mainshaft (ball)		
2	T1071	Oil seal, D.S. bearing (felt)		
3	T1072	Plate, D.S. bearing seal retaining		
4	T1073	Bearing, D.S. gearbox layshaft (plain)		
5	E3172	Peg, layshaft bearing locating		
6	T1269	Disc, D.S. gearbox layshaft bearing		

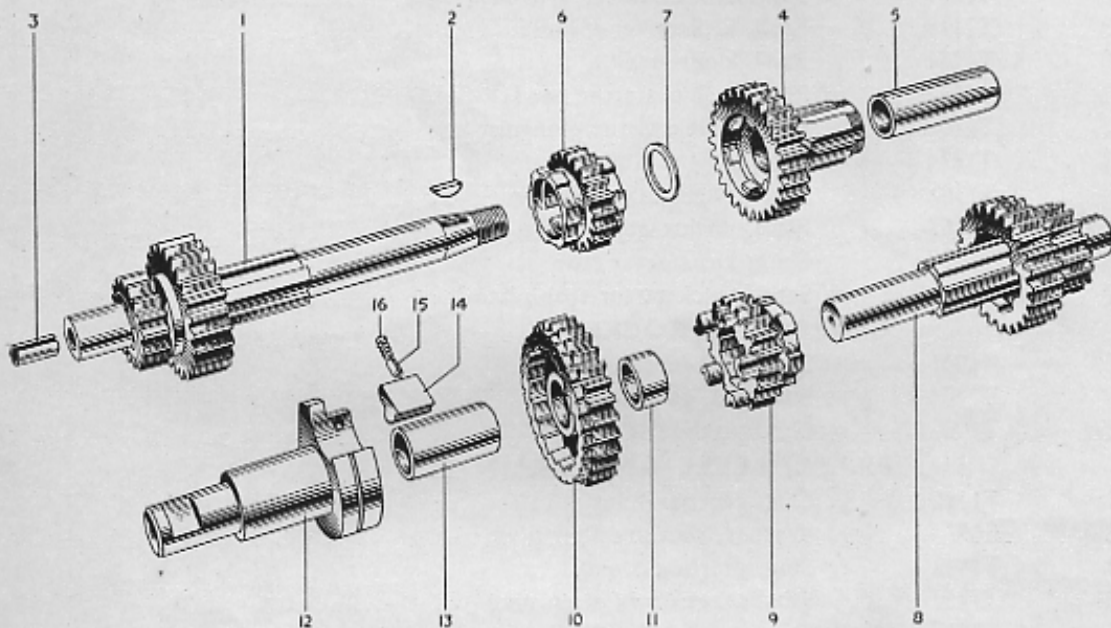


FIG. 2. MAINSHAFT AND LAYSHAFT GEARS.

INDEX

Illust. No.	Part No.	Page No.	Ref. No.	Illust. No.	Part No.	Page No.	Ref. No.
1	T1083	14	1	9	T1094	14	9
2	T1119	14	2	10	T1095	14	10
3	T1085	14	3	11	T1097	14	11
4	T1078	14	4	12	T1279	16	8
5	T1080	14	5	13	T1118	16	9
6	T1089	14	6	14	T1281	16	10
7	T1090	14	7	15	T1282	16	11
8	T1091	14	8	16	T1161	16	12

GROUP 3 — GEARBOX

REF. No.	PART No.	DESCRIPTION	QUANTITY	
			T15	T20
KICKSTARTER				
1	T1165	Kickstarter assembly, folding	1	1
2	T1166	Crank, kickstarter	1	1
3	T1168	Pedal kickstarter crank	1	1
3a	F1814	Rubber, kickstarter pedal	-	1
4	T1169	Bolt, kickstarter crank to pedal	1	1
5	S70-3	Ball, kickstarter crank to pedal	1	1
6	T1167	Spring, kickstarter crank to pedal	1	1
7	S52-1	Cotter, kickstarter crank c/w nut and washer	1	1
8	T1279	Spindle, kickstarter c/w bush	1	1
9	T1118	Bush, kickstarter spindle	1	1
10	T1281	Pawl, kickstarter... ..	1	1
11	T1282	Plunger, kickstarter pawl	1	1
12	T1161	Spring, kickstarter plunger	1	1
13	T1274	Disc, pawl retaining	1	1
14	T1162	Spring, kickstarter return	1	1
15	T1163	Plate, kickstarter return spring anchor	1	1
16	T1157	Plate, kickstarter stop	1	1
17	T1158	Screw, kickstarter stop plate	1	1
GEARBOX SPROCKET				
18	T1081	Sprocket, gearbox	1	-
19	T1204	Sprocket, gearbox 18T	-	1
20	T1082	Nut, gearbox sprocket	1	1
FILLER, LEVEL AND DRAIN PLUGS				
21	T1110	Plug, gearbox filler	1	1
22	E697	Washer, gearbox filler plug	1	1
23	T1112	Plug, gearbox drain	1	1
24	T1257	Washer, gearbox drain plug	1	1
25	T361	Plug, gearbox level	1	1
26	WE170	Washer, gearbox level plug	1	1
CLUTCH				
27	T1267†	Clutch complete	1	-
28	T1268†	Clutch complete	-	1
29	T1347	Nut, clutch to mainshaft	1	1
30	T1343	Washer, clutch to mainshaft nut	1	1
31	T1266	Sprocket c/w bearing and cork inserts	1	1
32	T1264	Ring, clutch sprocket bearing	1	1
33	T1124	Ball, clutch sprocket bearing	20	20
34	T1127	Cork insert, clutch sprocket	20	20
35	T1137	Plate, clutch driven (plain)	2	2
36	T1138	Plate, clutch driving (corked)	2	2
37	NT288	Cork insert, clutch driving plate	40	40

†See Page 60.

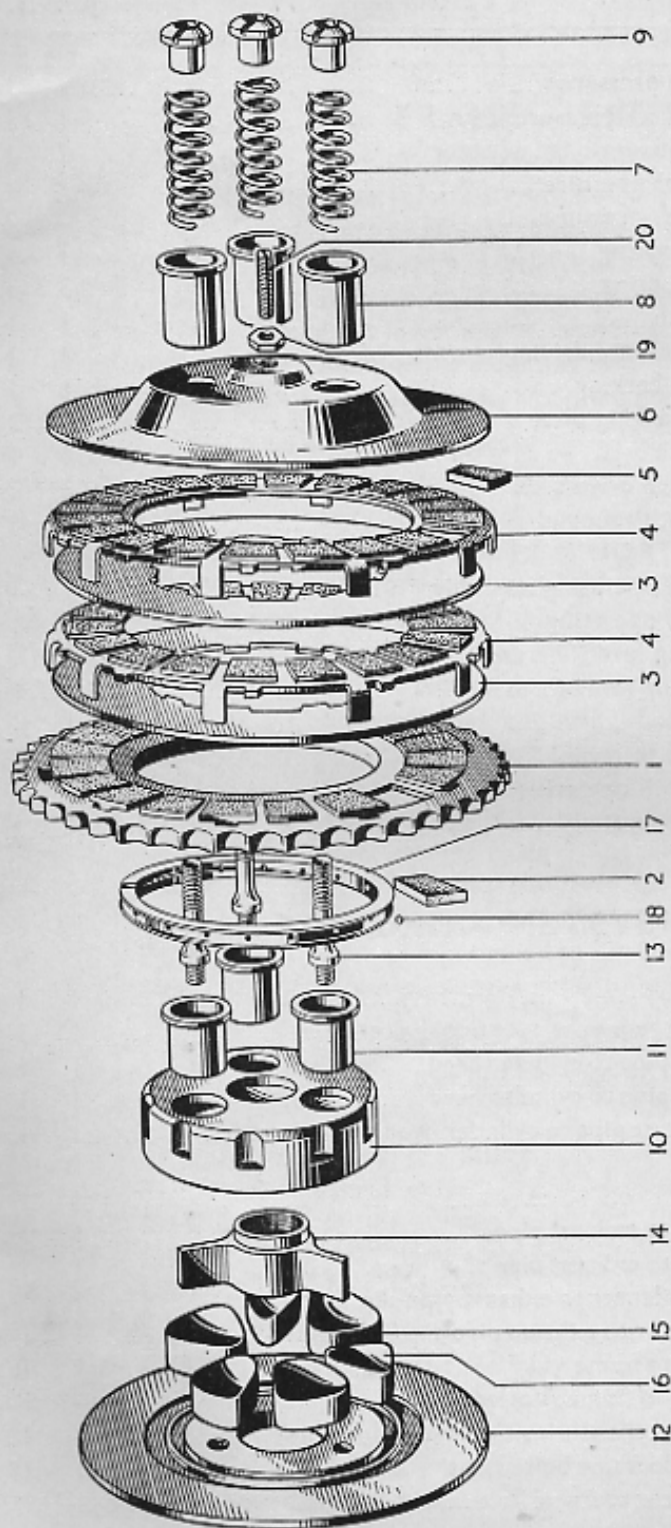


FIG. 3. CLUTCH AND SHOCK ABSORBER UNIT.

INDEX

Illust. No.	Part No.	Page No.	Ref. No.	Illust. No.	Part No.	Page No.	Ref. No.
1	T1266	16	31	11	T1364	18	9
2	T1127	16	34	12	T1128	18	10
3	T1137	16	35	13	T1350	18	11
4	T1138	16	36	14	T1346	18	12
5	NT288	16	37	15	T1132	18	13
6	T1253	18	1	16	T1318	18	14
7	T1145	18	4	17	T1264	16	32
8	T1224	18	5	18	T1124	16	33
9	T1144	18	6	19	GS662	18	3
10	T1146	18	7	20	T1256	18	2
	T1129	18	8				

GROUP 4 — EXHAUST SYSTEM

REF. No.	PART No.	DESCRIPTION	QUANTITY	
			T15	T20
1	T1253	Plate, clutch pressure	1	1
2	T1256	Adjuster, clutch pressure plate	1	1
3	GS662	Locknut, pressure plate adjuster	1	1
4	T1145	Spring, clutch pressure	3	—
5	T1224	Spring, clutch pressure	—	3
6	T1144	Cup, clutch spring	3	3
7	T1146	Nut, clutch spring	3	3
8	T1129	Centre clutch	1	1
9	T1364	Cup, clutch centre driving	3	3
10	T1128	Plate, clutch backing	1	1
11	T1350	Pin, clutch backing plate	3	3
12	T1346	Spider, clutch	1	1
13	T1132	Rubber, clutch drive	3	3
14	T1318	Rubber, clutch rebound	3	3
CLUTCH CONTROL				
15	T1233	Lever, clutch operating assembly	1	1
16	T1235	Lever, clutch operating	1	1
17	T1236	Pin, operating lever fulcrum	1	1
18	T1155	Cup, operating lever thrust	1	1
19	T1124	Ball, cup to rod	1	1
20	$\frac{1}{16}'' \times \frac{1}{2}''$	Split-pin, cup to lever	1	1
21	T1234	Fulcrum, clutch operating lever	1	1
22	T1252	Rod, clutch operating	1	1

EXHAUST SYSTEM — GROUP 4

EXHAUST PIPE

23	E3257	Pipe, exhaust	1	1
24	E3376	Pipe, exhaust (upswept : optional alternative)	1	1
25	E3259	Clip, exhaust pipe to cylinder head	1	1
26	E3260	Bolt, exhaust pipe to cylinder head	1	1
27	S25-13	Washer, exhaust pipe to cylinder head clip bolt	1	1

SILENCER

28	E3261	Silencer	1	1
29	E3269	Clip, silencer to exhaust pipe	1	1
30	TE164E	Bolt, silencer to exhaust pipe clip	1	1
31	TE164D	'D' Washer, silencer to exhaust pipe clip bolt	1	1
32	TE164C	'D' Nut, silencer to exhaust pipe*clip bolt	1	1
33	F929	Bolt, silencer to frame	1	1
34	F1718	Bolt, silencer to frame (upswept pipe)	—	1
35	F1749	Distance piece, silencer to bolt (upswept pipe)	—	1
36	SI-51	Nut, silencer to frame bolt	1	1
37	S26-2	Washer, silencer to frame bolt	1	1

FRAME — GROUP 5
STAND — GROUP 6

REF. No. PART No. DESCRIPTION QUANTITY

FRAME — GROUP 5

Illustrated on Pages 20 and 21—Figs. 4 and 5

							T15	T20
FRAME								
1	F3750	Frame, c/w rear suspension	1	1
2	F3751	Frame, only	1	1
3	F1760	Bolt, front and rear engine mounting...	2	2
4	E2774	Bolt, lower engine mounting	1	1
5	W76	Nut, engine mounting bolt	3	3
6	GS308	Washer, engine mounting bolt	3	3

REAR SUSPENSION

7	F3455	Fork end, R.H. c/w grease nipple	1	1
8	F3784	Fork end, L.H. c/w pin and grease nipple	1	1
9	NW100	Nipple, fork end grease...	2	2
10	F3781	Pin, fork end brake anchorage	1	1
11	F3422	Backing washer, plunger lug (top)	2	2
12	F3577	Cup, plunger lug (bottom)	2	2
13	F3423	Gaiter, plunger lug bottom (rubber)	2	2
14	F3425	Spring, suspension main	2	2
15	F3426	Spring, suspension rebound	2	2
16	F3427	Cover, suspension spring (lower)	2	2
17	F3428	Cover, suspension spring (upper)	2	2
18	F3853	Rod, plunger guide	2	2
19	F3854	Nut, plunger guide rod	2	2
20	F3430	Bolt, plunger guide to lug clamp	2	2
21	E470	Nut, plunger guide to lug clamp	2	2
22	S25-3	Washer, plunger guide to lug clamp	2	2

STAND — GROUP 6

Illustrated on Page 20—Fig. 4

CENTRE STAND

23	F3762	Stand, c/w fittings	1	1
24	F3763	Stand, only	1	1
25	F3747	Spring, stand	1	1
27	F3520	Bolt, stand pivot,	2	2
28	DS47	Nut, pivot bolt	2	2

PROP STAND

29	F3681	Prop stand assembly	1	1
30	F3097	Pin, prop stand	1	1
31	F3096	Lockwasher, swivel pin	1	1
32	F2610	Spring, prop stand tension	1	1

(This stand can only be fitted to frames which have a lug attached).

GROUP 5 — FRAME

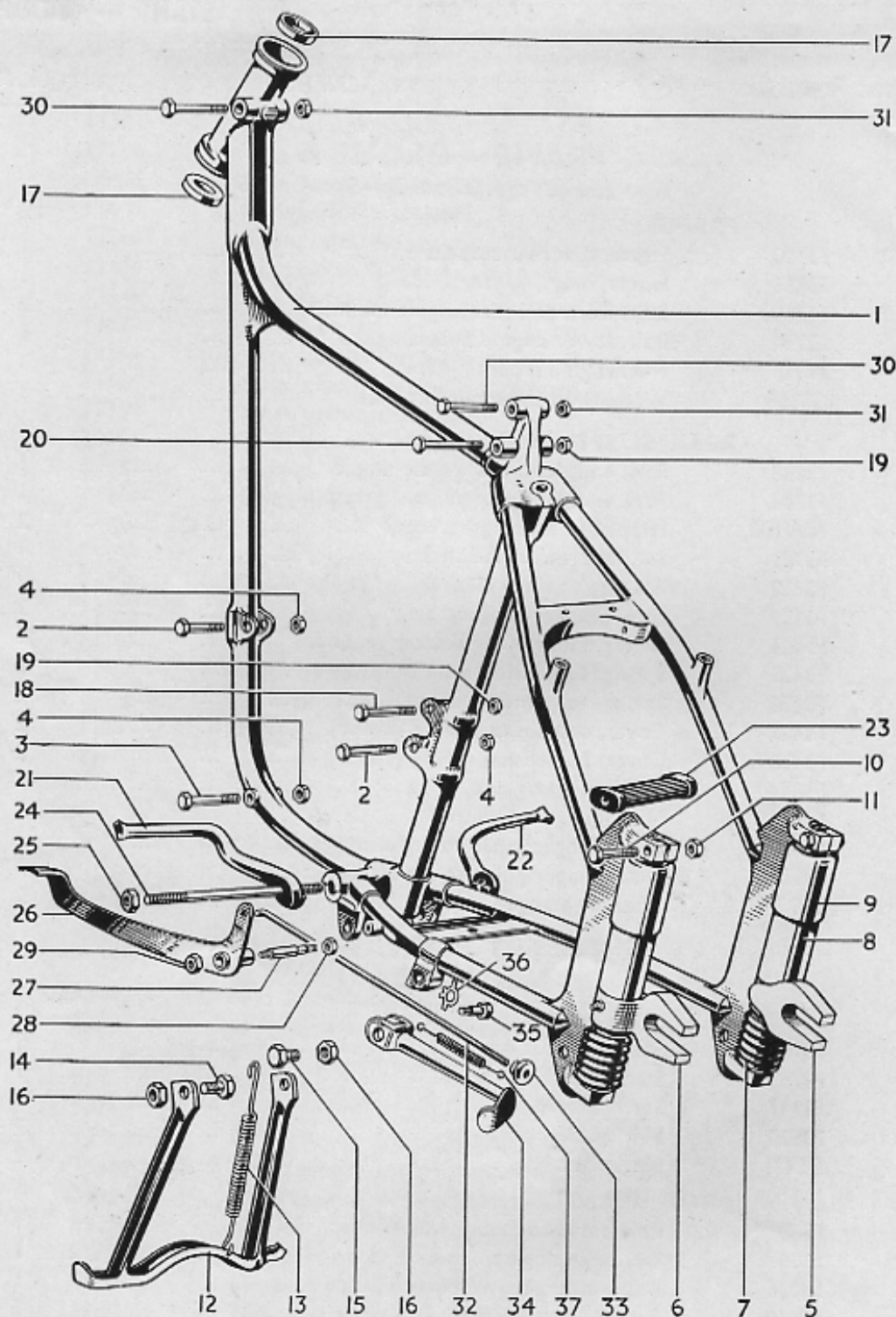


FIG. 4. FRAME AND COMPONENTS.

For Index See Page 21.

FRAME — GROUP 5

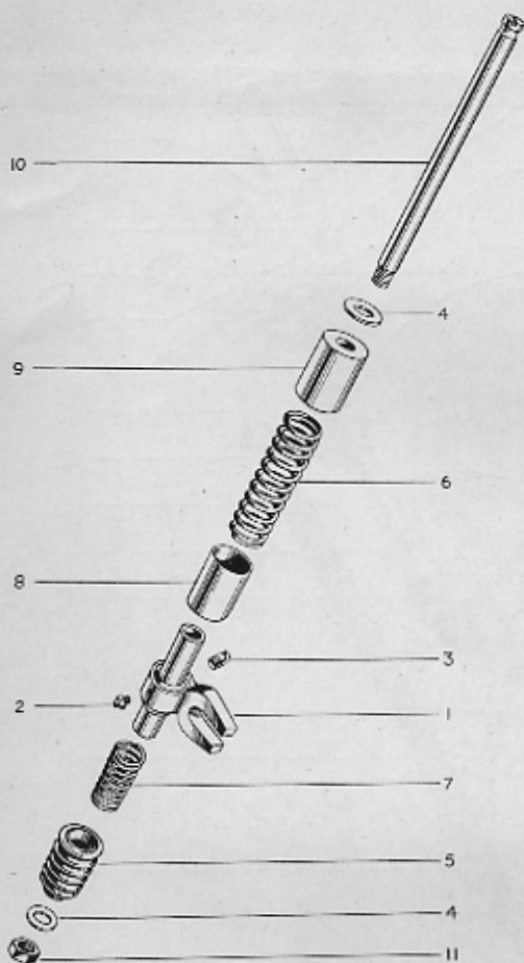


FIG. 5.
REAR
SUSPENSION.
For Index see below

INDEX TO FIG. 5.

Illust. No.	Part No.	Page No.	Ref. No.
1	F3455	19	7
	E3784	19	8
2	NW100	19	9
3	F3718	19	10
4	F3422 (Upper)	19	11
	F3577 (Lower)	19	12
5	F3423	19	13
6	F3425	19	14
7	F3426	19	15
8	F3427	19	16
9	F3428	19	17
10	F3853	19	18
11	F3854	19	19

INDEX TO FIG. 4. PAGE 20.

Illust. No.	Part No.	Page No.	Ref. No.	Illust. No.	Part No.	Page No.	Ref. No.
1	F3750	19	1	20	F3468	37	23
2	F1760	19	3	21	F3449	38	10
3	E2774	19	4	22	F3450	38	11
4	W76	19	5	23	F1695	38	12
5	F3455	19	7	24	F3448	38	13
6	F3784	19	8	25	H193	38	14
7	F3423	19	13	26	F3456	39	1
8	F3427	19	16	27	F3459	39	2
9	F3428	19	17	28	S1-51	39	3
10	F3430	19	19	29	T224	39	5
11	E470	19	20	30	F3498	37	7
12	F3763	19	23	31	S1-51	37	8
13	F3747	19	24	32	F3460	39	7
14	F3520	19	25	33	F3463	39	12
15	F3520	19	25	34	F3681	19	28
16	DS47	19	27	35	F3097	19	29
17	H835	25	16	36	F3096	19	30
18	F2596	37	20	37	F2610	19	31
19	S1-51	37	22				

GROUP 7 — TELESCOPIC FRONT FORK

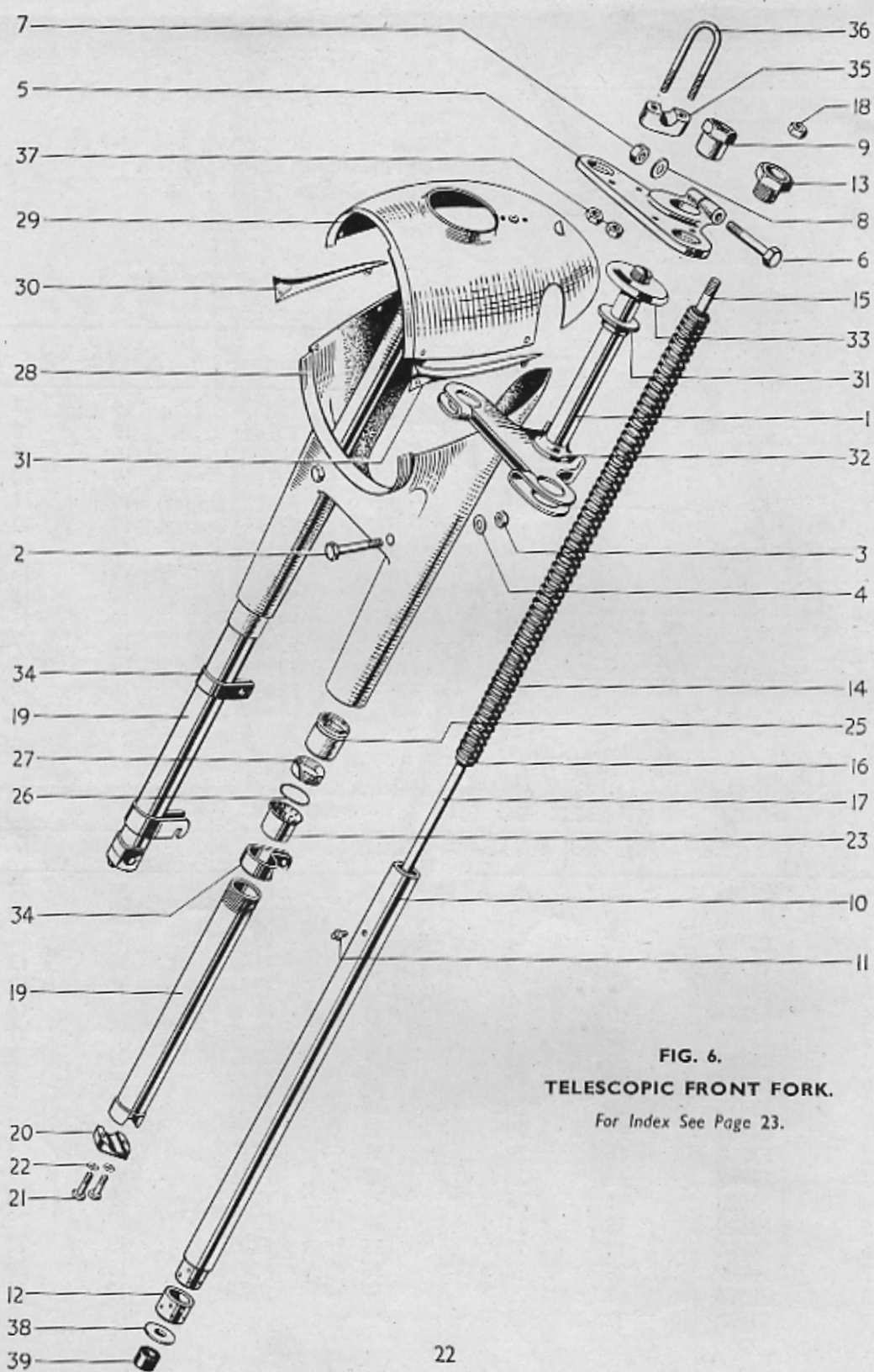


FIG. 6.
TELESCOPIC FRONT FORK.
For Index See Page 23.

TELESCOPIC FRONT FORK — GROUP 7

INDEX TO FIG. 6. PAGE 22.

<i>Illust. No.</i>	<i>Part No.</i>	<i>Page No.</i>	<i>Ref. No.</i>
1	H828	24	2
2	H834	24	3
3	H518	24	4
4	S25-3	24	6
5	H837	24	7
6	H570	24	8
7	S1-51	24	9
8	S25-3	24	10
9	H840	24	11
10	H843	24	12
11	NW100	24	13
12	H845	24	14
13	H846	24	15
14	H847	24	19
15	H850	24	20
16	H851	24	21
17	H852	24	22
18	S1-51	24	23
19	H853D/S	24	24
	H948T/S	24	24 _a
20	H856	24	25
21	W932	24	26
22	E1612	24	27
24	H860	24	29
25	H861	25	1
26	H862	25	2
27	H863	25	3
28	H823	25	4
29	H822	25	5
30	H877	25	6
31	H878	25	7
32	H833	25	17
33	H836	25	19
34	H873	30	11
35	H864	39	18
36	H865	39	19
37	F879	39	20
38	H902	24	18
39	H903	24	17

GROUP 7 — TELESCOPIC FRONT FORK

REF. No.	PART No	DESCRIPTION	QUANTITY
----------	---------	-------------	----------

TELESCOPIC FRONT FORK — GROUP 7

Illustrated on Page 22—Fig. 6

		FRONT FORK	T15	T20
1	H827	Fork, assembly	1	1
2	H828	Lug, fork stem and middle	1	1
3	H834	Bolt, middle lug pinch	2	2
4	H518	Nut, middle lug pinch bolt	2	2
5	F3098	Clip, for front brake cable	1	1
6	S25-3	Washer, middle lug pinch bolt	4	4
7	H837	Lug, fork top	1	1
8	H570	Bolt, fork top lug clamp	1	1
9	S1-51	Nut, fork top lug clamp bolt	1	1
10	S25-3	Washer, fork top lug clamp bolt	1	1
11	H840	Sleeve nut, fork stem	1	1
12	H843	Stanchion fork c/w bush	2	2
13	NW100	Grease nipple, stanchion	2	2
14	H845	Bush, stanchion bottom	2	2
15	H846	Nut, stanchion to top lug	2	2
16	E2287	Washer, stanchion to top lug nut	2	2
17	H903	Buffer, stanchion rubber	2	2
18	H902	Washer, stanchion rubber buffer	2	2
19	H847	Spring, fork c/w studs, etc.	2	2
20	H850	Stud, fork spring (short) top	2	2
21	H851	Stopnut, fork spring (bottom)	2	2
22	H852	Rod, fork spring anchor (bottom)	2	2
23	S1-51	Nut, fork spring (short) stud	2	2
24	H853	Member, outer lower c/w cap D/S	1	1
24a	H948	Member, outer lower c/w cap T/S	1	1
25	H856	Cap, outer lower member lug spindle	2	2
26	W932	Bolt, outer lower member lug spindle	4	4
27	E1612	Washer, outer lower member lug spindle	4	4
29	H860	Bush, outer lower member top	2	2

TELESCOPIC FRONT FORK – GROUP 7

REF. No.	PART No.	DESCRIPTION	QUANTITY	
			T15	T20
1	H861	Sleeve nut, outer lower member	2	2
2	H862	Washer, sleeve nut (steel)	2	2
3	H863	Washer, sleeve nut (felt)	2	2
4	H823	Nacelle, bottom unit	1	1
5	H822	Nacelle, top unit... ..	1	1
6	H877	Flash, L.H. (Motif)	1	1
7	H878	Flash, R.H. (Motif)	1	1
8	H688	Screw, flash and top and bottom unit	2	2
9	H691	Nut, flash and top and bottom unit	2	2
10	E2880	Washer, flash and top and bottom unit	2	2
11	H916	Screw, flash and top and bottom unit (centre)	2	2
12	H689	Screw, top and bottom unit (rear)	2	2
13	H691	Nut, top and bottom unit (rear)	2	2
14	E2880	Washer, top and bottom unit (rear)	2	2
15	H961	Grommet, control cables	2	2
STEERING RACES				
16	H835	Cup, steering race (top and bottom)	2	2
17	H833	Cone, steering race (top and bottom)	2	2
18	S70-3	Ball, steering race (top and bottom)	30	30
19	H836	Cover, steering race dust	1	1
LICENCE HOLDER				
20	D261	Holder, licence	1	1

DESPATCHING GOODS. Parts being returned to either the Distributor or Triumph Service Department for rectification should be well packed to avoid damage in transit. Cylinder barrels and cylinder heads are extremely vulnerable to breakage of the fins ; when casing, pack straw or old newspapers etc., round the finning to prevent damage due to shock. Advice of despatch should be forwarded to the consignee and the sender MUST securely attach a label to the returned parts, clearly stating his name and address.

RECEIVING GOODS. Every possible precaution is taken to ensure that the sender's order has been correctly interpreted and the goods despatched are correct to the invoice. Parts sent in for repair are tested before despatch and are subsequently covered by our guarantee on Page 52. In the event of any shortage or damage in transit, we must be advised within 48 hours of arrival in order that the necessary action can be taken. No claim can be entertained after this period.

GROUP 8 - WHEELS

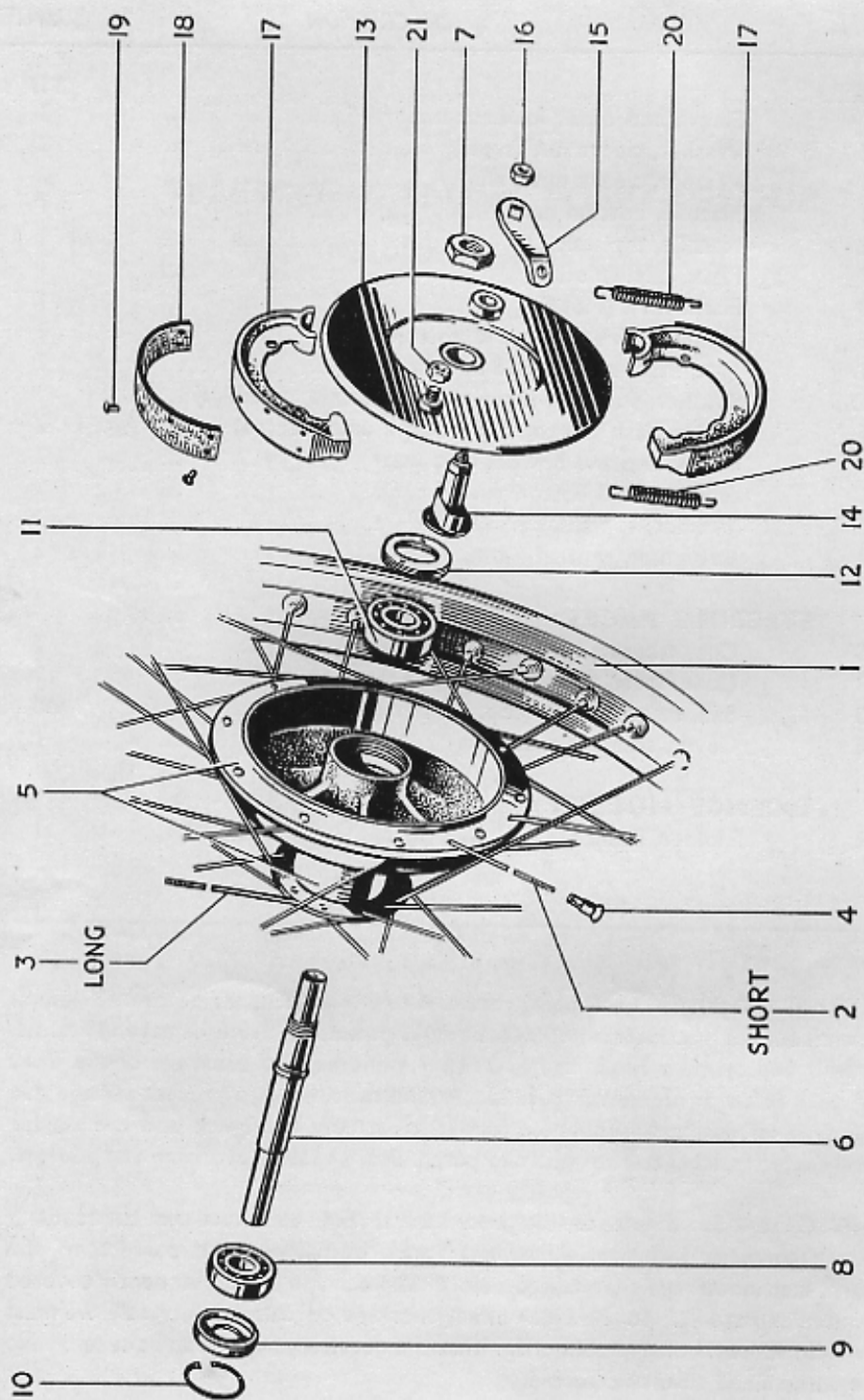


FIG. 7. FRONT WHEEL.

For Index See Page 27.

WHEELS — GROUP 8

REF. No.	PART No.	DESCRIPTION	QUANTITY
----------	----------	-------------	----------

WHEELS — GROUP 8

Illustrated on Pages 26 and 28—Figs. 7 and 8

			T15	T20
FRONT WHEEL				
1	W1001	Wheel, complete front	1	-
2	W1063	Wheel, complete front	-	1
3	W960	Wheel, less bearing brake assembly, etc.	1	1
4	W1002	Rim, front wheel WMI-19	1	1
5	W964/5	Spoke and nipple, R.H. 90°	20	20
6	W963/5	Spoke and nipple, L.H. 90°	20	20
7	W965	Nipple, spoke	40	40
8	W961	Hub and brake drum assembly	1	1
9	W967	Spindle, front wheel	1	1
10	W1093	Nut, front wheel spindle to anchor plate	1	1
11	T530	Bearing, front wheel L.H.	1	1
12	W966	Dust cap, front wheel L.H.	1	1
13	T532	Circlip, front wheel L.H. dust cap	1	1
14	H826	Bearing, front wheel R.H.	1	1
15	W968	Ring, front wheel R.H. locking	1	1
FRONT WHEEL BRAKE				
16	W969	Plate, front brake anchor	1	-
17	W1065	Plate, front brake anchor	-	1
18	W1128	Cam assembly, front brake	1	1
19	W1130	Lever, front brake	1	1
20	T224	Nut, front brake lever	1	1
21	S25-71	Washer, front brake lever	1	1
22	W977	Shoe, front brake c/w lining	2	2
23	W978	Lining, front brake	2	2
24	W979	Rivet, front brake lining	12	12
25	W200	Spring, front brake shoe	2	2
26	SI-52	Nut, front brake anchorage to clip	1	1
27	S26-1	Washer, front brake anchorage to clip	1	1

INDEX TO FIG. 7. PAGE 26.

Illust. No.	Part No.	Page No.	Ref. No.	Illust. No.	Part No.	Page No.	Ref. No.
1	W1002	27	4	12	W968	27	15
2	W964/5	27	5	13	W969	27	16
3	W963/5	27	6		W1065	27	17
4	W965	27	7	14	W1128	27	18
5	W961	27	8	15	W1130	27	19
6	W967	27	9	16	T224	27	20
7	W1093	27	10	17	W977	27	22
8	T530	27	11	18	W978	27	23
9	W966	27	12	19	W979	27	24
10	T532	27	13	20	W200	27	25
11	H826	27	14	21	SI-52	27	26

GROUP 8 - WHEELS

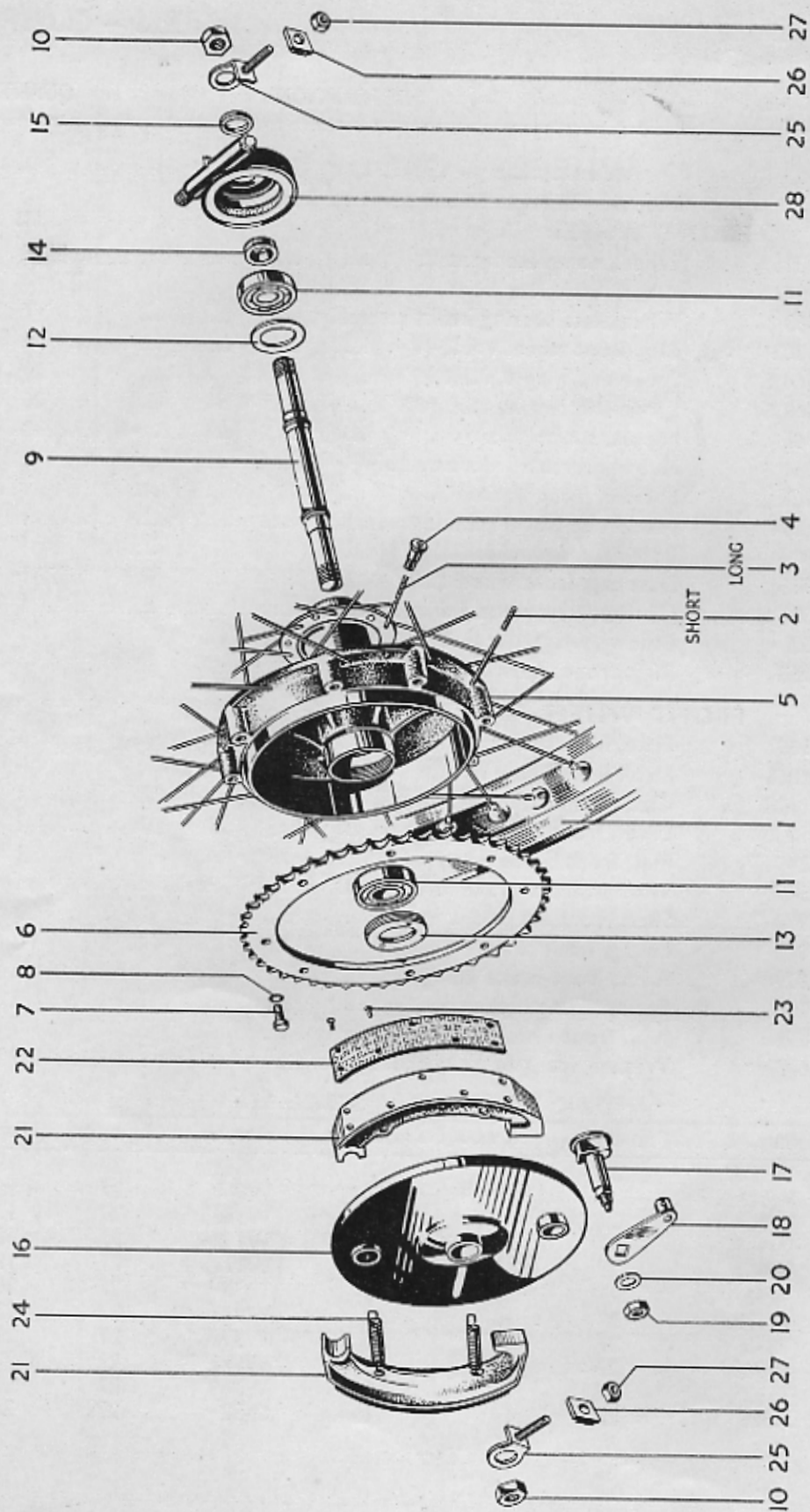


FIG. 8. REAR WHEEL.

For Index See Page 29.

WHEELS - GROUP 8

REF. No.	PART No.	DESCRIPTION	QUANTITY	
			T15	T20
REAR WHEEL				
1	W1004	Wheel complete, rear	1	1
2	W981	Wheel, less bearings, brake assembly, etc.	1	1
3	W1002	Rim, rear wheel, WMI-19	1	1
4	W964/5	Spoke, and nipple, L.H. 90°	20	20
5	W963/5	Spoke, and nipple, R.H. 90°	20	20
6	W965	Nipple, spoke	40	40
7	W982	Hub and brake drum assembly	1	1
8	W984/48	Sprocket, rear wheel 48T	1	1
9	W985	Bolt, rear wheel sprocket	8	8
10	W1122	Washer, rear wheel sprocket	8	8
11	W989	Spindle, rear wheel	1	1
12	W1000	Nut, rear wheel spindle	2	2
13	H826	Bearing, rear wheel R.H. and L.H.	2	2
14	W987	Backing ring, rear wheel bearing R.H.	1	1
15	W988	Locking ring, rear wheel bearing L.H.	1	1
16	W954	Distance piece, rear wheel spindle, inner R.H.	1	1
17	W995	Distance piece, rear wheel spindle, outer R.H.	1	1
REAR WHEEL BRAKE				
18	W990	Plate, rear brake anchor	1	1
19	W1128	Cam, assembly, rear brake	1	1
20	W1131	Lever, rear brake	1	1
21	T224	Nut, rear brake lever	1	1
22	S25-71	Washer, rear brake lever	1	1
23	W977	Shoe, rear brake c/w lining	2	2
24	W978	Lining, rear brake	2	2
25	W979	Rivet, rear brake	12	12
26	W200	Spring, rear brake shoe	2	2

INDEX TO FIG. 8. PAGE 28.

Illust. No.	Part No.	Page No.	Ref. No.	Illust. No.	Part No.	Page No.	Ref. No.
1	W1002	29	3	15	W995	29	17
2	W964/5	29	4	16	W990	29	18
3	W963/5	29	5	17	W1128	29	19
4	W965	29	6	18	W1131	29	20
5	W982	29	7	19	T224	29	21
6	W984/48	29	8	20	S25-71	29	22
7	W985	29	9	21	W977	29	23
8	W1122	29	10	22	W978	29	24
9	W989	29	11	23	W979	29	25
10	W1000	29	12	24	W200	29	26
11	H826	29	13	25	W996	30	1
12	W987	29	14	26	W999	30	2
13	W988	29	15	27	F879	30	3
14	W954	29	16	28	D175	50	30

GROUP 9 – MUDGUARDS AND REAR CARRIER

REF. No.	PART No.	DESCRIPTION	QUANTITY	
REAR WHEEL CHAIN ADJUSTER			T15	T20
1	W996	Adjuster, rear chain	2	2
2	W999	End plate, rear chain adjuster	2	2
3	F879	Nut, rear chain adjuster	2	2

MUDGUARDS AND REAR CARRIER – GROUP 9

Illustrated on opposite page

FRONT MUDGUARD				
4	H868	Mudguard, front	1	-
5	H929	Mudguard, front	-	1
6	H871	Stay, front mudguard, L.H.	1	1
7	H872	Stay, front mudguard, R.H.	1	1
8	DS57	Bolt, front mudguard stay	4	4
9	F879	Nut, front mudguard stay	4	4
10	E1612	Washer, front mudguard stay	4	4
11	H873	Clip, nacelle to centre bridge	2	2
12	GS218	Bolt, nacelle to centre bridge clip	2	2
13	F879	Nut, nacelle to centre bridge clip	2	2
14	E1612	Washer, nacelle to centre bridge clip	2	2
15	F3023	Distance piece, stay bolt	2	2
16	GS218	Bolt, stay to fork lug bottom	2	2
17	E1612	Washer, stay to fork lug bottom	2	2

INDEX TO FIG. 9. PAGE 31.

Illust. No.	Part No.	Page No.	Ref. No.	Illust. No.	Part No.	Page No.	Ref. No.
1	H868	30	4	18	DS57	32	13
	H929	30	5	19	F879	32	15
2	H871	30	6	20	F3523	32	17
3	H872	30	7	21	DS57	32	18
4	DS57	30	8	22	F879	32	19
5	F879	30	9	23	H874	32	21
6	GS218	30	12	24	H741	32	22
7	F879	30	13	25	H687	32	23
8	GS218	30	16	26	H745	32	24
9	F3479	32	1	27	F3508	32	25
	F3677	32	2	28	F929	32	26
10	F3484	32	3	29	S1-51	32	27
11	F3488	32	4	30	D274	32	29
12	DS57	32	5	31	F3431	33	1
13	F879	32	6	32	DS57	33	2
14	E470	32	8	33	F3436	33	4
15	F1369	32	9	34	F3437	33	5
16	F879	32	11	35	H745	33	6
17	F3483	32	12	36	DS57	33	7

MUDGUARDS AND REAR CARRIER – GROUP 9

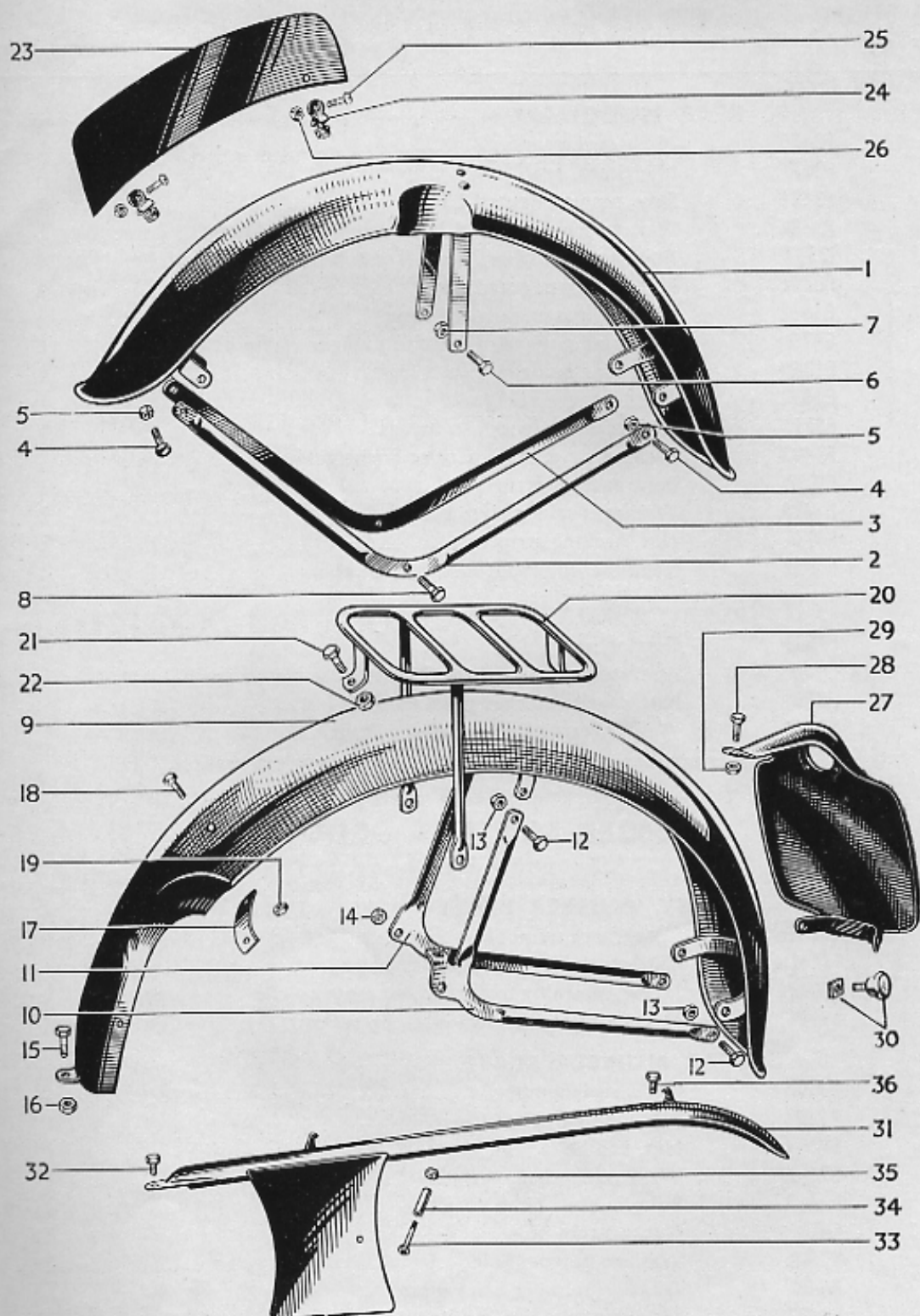


FIG. 9. MUDGUARDS, NUMBER PLATES, CARRIER AND REAR CHAINGUARD.
For Index See Page 30.

GROUP 10 — NUMBER PLATES

REF. No.	PART No.	DESCRIPTION	QUANTITY	
			T15	T20
REAR MUDGUARD				
1	F3479	Mudguard, rear	1	-
2	F3677	Mudguard, rear	-	1
3	F3484	Stay, rear mudguard L.H.	1	1
4	F3488	Stay, rear mudguard R.H.	1	1
5	DS57	Bolt, rear mudguard stays (For top stud, see page 51, line 17)	4	4
6	F879	Nut, rear mudguard stays	4	4
7	E1612	Washer, rear mudguard stays	4	4
8	E470	Nut, rear mudguard stays to plunger clamp bolt	2	2
9	F1369	Bolt, rear mudguard to bridge... ..	1	1
10	E1612	Washer, rear mudguard to bridge	1	1
11	F879	Nut, rear mudguard to bridge	1	1
12	F3483	Backing strip, mudguard to frame bridge	1	1
13	DS57	Bolt, backing strip	2	2
14	E1612	Washer, backing strip bolt	2	2
15	F879	Nut, backing strip bolt	2	2
16	F3327	Grommet for mudguard unused holes	2	2
REAR CARRIER				
17	F3523	Carrier, rear	1	1
18	DS57	Bolt, carrier to mudguard front	1	1
19	F879	Nut, carrier to mudguard front	1	1
20	S26-2	Washer, carrier to mudguard front	1	1

Use rear number plate top bolt to secure carrier rear bracket.

NUMBER PLATES — GROUP 10

Illustrated on Page 31—Fig. 9

FRONT NUMBER PLATE				
21	H874	Plate, front number	1	1
22	H741	Clip, assembly front number plate	2	2
23	H687	Screw, assembly front number plate to clip	2	2
24	H745	Nut, front number plate to clip screw	2	2
REAR NUMBER PLATE				
25	F3508	Plate, rear number	1	1
26	F929	Bolt, number plate top	1	1
27	SI-51	Nut, top bolt	1	1
28	S26-3	Washer, top bolt	1	1
29	F1369	Bolt, number plate bottom	2	2
30	F879	Nut, bottom bolt	2	2
31	S26-2	Washer, bottom bolt	2	2
32	D68	Transfer, number plate motif	1	1
33	57080	Reflector, c/w nut and washer	1	1

GROUP 13 – TOOLS

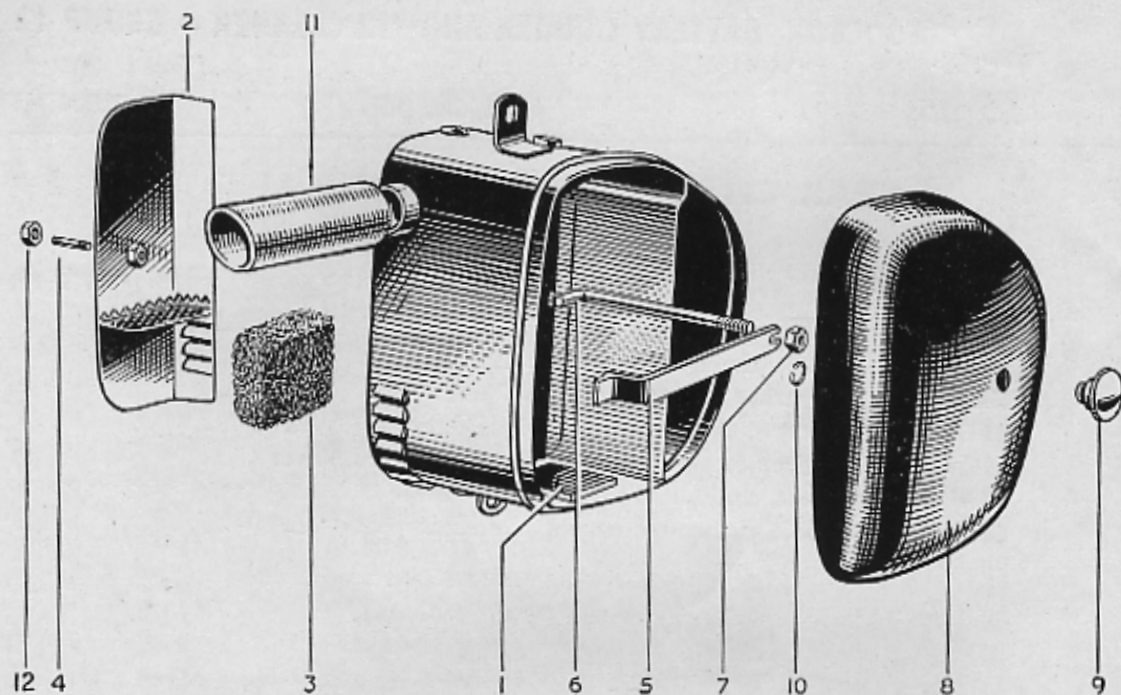


FIG. 10. TOOLBOX, BATTERY CARRIER AND AIR CLEANER.

INDEX

Illust. No.	Part No.	Page No.	Ref. No.	Illust. No.	Part No.	Page No.	Ref. No.
1	F3470	33	9	7	F879	33	17
2	F3418	33	10	8	F3493	33	18
3	F3492	33	12	9	F3474	33	19
4	F3656	33	13	10	F3475	33	20
5	F3473	33	15	11	F3478	33	21
6	F3472	33	16	12	H745	33	14

TOOLS – GROUP 13

Illustrated on opposite page

REF. No.	PART No.	DESCRIPTION	QUANTITY	
			T15	T20
1	D290	Tool kit, complete		
2	D291	Toolbag		
3	D299	Spanner, open ended, $\frac{3}{8}$ " \times $\frac{7}{16}$ " Whit.		
4	D292	Spanner, open ended, $\frac{1}{4}$ " \times $\frac{3}{16}$ " \times $\frac{1}{4}$ " \times $\frac{5}{16}$ " Whit.		
5	D293	Spanner, combination square \times $\frac{3}{16}$ " \times $\frac{5}{16}$ " \times $\frac{1}{2}$ " Whit.		
6	D294	Spanner, screwdriver and box, $\frac{1}{2}$ " Whit.		
7	DA70	Key, clutch adjusting		
8	NA14A	Lever, tyre		
9	D335	Screwdriver, Phillips No. 2		
10	D296	Inflator, tyre (not included in D290)		

TOOLS - GROUP 13

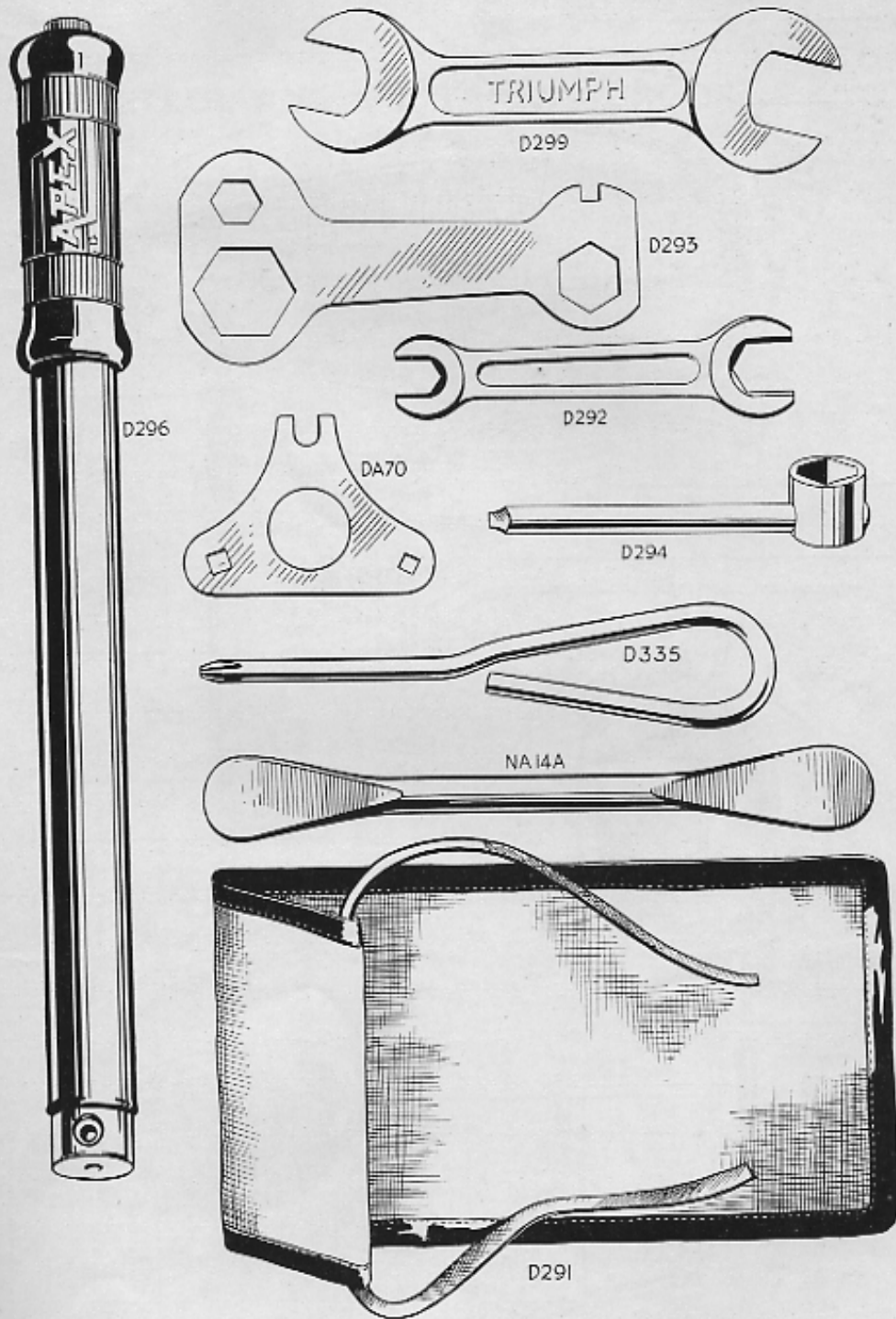


FIG. II. TOOLS.

GROUP 14 - PETROL AND OIL TANKS

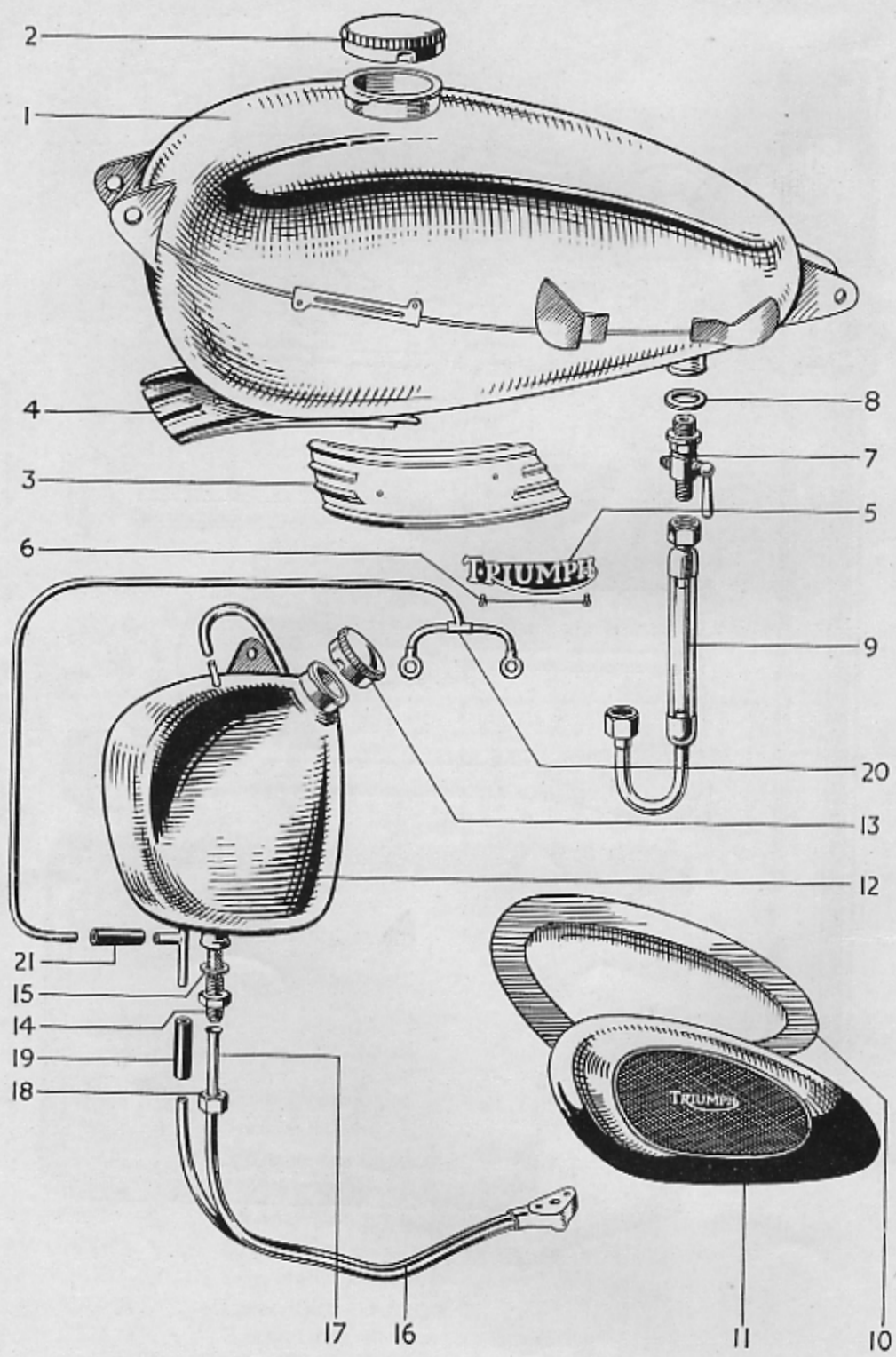


FIG. 12. PETROL AND OIL TANKS.
For Index See Page 37.

PETROL AND OIL TANKS – GROUP 14

REF. No.	PART No.	DESCRIPTION	QUANTITY
----------	----------	-------------	----------

PETROL AND OIL TANKS – GROUP 14

Illustrated on opposite page

							T15	T20
PETROL TANK								
1	F3505	Tank, petrol, less fittings	1	1
2	F3220	Cap, petrol tank	1	1
3	F3494	Styling band, petrol tank L.H.	1	1
4	F3495	Styling band, petrol tank R.H.	1	1
5	F3496	Name plate, petrol tank	2	2
6	F3497	Screw, name plate and band to tank	4	4
7	F3498	Bolt, petrol tank to frame	2	2
8	S1-51	Nut, petrol tank to frame bolt	2	2
9	S25-3	Washer, petrol tank to frame bolt	3	3
10	F3098	Clip, L.H. front bolt	1	1
11	F3506	Tap, petrol tank	1	1
12	E697	Washer, petrol tank tap joint	1	1
13	F3499	Pipe, petrol feed	1	1
14	F1605	Knee grip, petrol tank R.H.	1	1
15	F1606	Knee grip, petrol tank L.H.	1	1
OIL TANK								
16	F3464	Tank, oil, less fittings	1	1
17	F3216	Cap, oil tank	1	1
18	F3876	Filter, oil tank	1	1
19	F1511	Washer, oil tank filter joint	1	1
20	F2596	Bolt, oil tank to frame bottom	1	1
21	F3477	Distance piece, oil tank bottom	1	1
22	S1-51	Nut, oil tank bolt	2	2
23	F3468	Bolt, oil tank to frame top	1	1
24	F3476	Distance piece, oil tank top	2	2

INDEX TO FIG. 12. PAGE 36.

Illust. No.	Part No.	Page No.	Ref. No.	Illust. No.	Part No.	Page No.	Ref. No.
1	F3505	37	1	12	F3464	37	16
2	F3220	37	2	13	F3216	37	17
3	F3494	37	3	14	F3696	37	18
4	F3495	37	4	15	F1511	37	19
5	F3496	37	5	16	F3270	38	2
6	F3497	37	6	17	F3503	38	3
7	F3506	37	11	18	F3504	38	4
8	E697	37	12	19	F3077	38	5
9	E3499	37	13	20	E3244	8	34
10	F1605	37	14	21	E3383	9	3
11	F1606	37	15				

GROUP 15 – FOOTRESTS

REF. No.	PART No.	DESCRIPTION	QUANTITY	
			T15	T20
1	S25-3	Washer, oil tank top bolt	1	1
2	E3270	Pipes, oil tank to engine	1	1
3	F3503	Pipe, oil tank feed, top half	1	1
4	F3504	Nut, oil tank feed, top half union	1	1
5	F3077	Connection, oil tank feed and return pipes	2	2
6	E3274	Washer, oil tank pipe junction block joint	1	1
7	F879	Nut, junction block to crankcase	1	1
8	S25-13	Washer, junction block to crankcase nut	1	1
9	A3	Transfer (minimum oil level)	1	1

FOOTRESTS – GROUP 15

Illustrated on Page 20—Fig. 4

RIDER'S FOOTREST

10	F3449	Footrest L.H.	1	1
11	F3450	Footrest R.H.	1	1
12	F1695	Rubber	2	2
13	F3448	Rod, footrest hanger	1	1
14	H193	Nut, footrest hanger rod	2	2

PILLION FOOTREST

15	F3514	Footrest, pillion complete	2	2
16	F1694	Pedal, footrest	2	2
17	F1695	Rubber, footrest pedal	2	2
18	F2271	Bolt, footrest pedal pivot	2	2
19	S1-51	Nut, footrest pedal pivot bolt	2	2
20	F2277	Washer, footrest pedal pivot bolt	2	2
21	F2268	Hanger, footrest pedal	2	2
22	F3515	Stud, footrest pedal	2	2
23	P0172A	Nut, footrest pedal stud	2	2
24	S26-1	Washer, footrest pedal stud	2	2

REAR BRAKE PEDAL — GROUP 16
HANDLEBAR — GROUP 17

REF. No.	PART No.	DESCRIPTION	QUANTITY
----------	----------	-------------	----------

REAR BRAKE PEDAL — GROUP 16

Illustrated on Page 20—Fig. 4

			T15	T20
1	F3456	Pedal, rear brake	1	1
2	F3459	Spindle, rear brake pedal	1	1
3	S1-51	Nut, brake pedal spindle to frame	1	1
4	S26-3	Washer, brake pedal spindle to frame	1	1
5	T224	Nut, brake pedal to spindle	1	1
6	S25-3	Washer, brake pedal to spindle	1	1
7	F3460	Rod, rear brake operating	1	1
8	F3461	Washer, rear brake rod to pedal	1	1
9	F3594	Washer, rear brake rod to pedal (for stop lamp)	1	1
10	$\frac{1}{16}'' \times \frac{1}{2}''$	Split-pin, rear brake rod to pedal	1	1
11	F3463	Adjuster, rear brake rod	1	1

HANDLEBAR — GROUP 17

Illustrated on Page 40—Fig. 13

HANDLEBAR

12	H866	Handlebar c/w control levers and twistgrip	1	-
13	70/510	Handlebar c/w control levers and twistgrip	-	1
14	H867	Handlebar bend only	1	-
15	91/314	Handlebar bend only	-	1
16	H881	Grommet, handlebar to nacelle	2	2
17	H864	Support, handlebar to top lug	2	2
18	H865	'U' bolt, handlebar to top lug	2	2
19	F879	Nut, handlebar to top lug	4	4
20	S25-13	Washer, handlebar to top lug	4	4
21	H885	Grip, handlebar, rubber	1	-
22	16/069CE	Grip, handlebar rubber	-	1

CONTROL LEVERS

23	H879 LH.	Lever, clutch control	1	-
24	70/009 LH.	Lever, clutch control	-	1
25	H879 RH.	Lever, front brake control	1	-
26	70/009 RH.	Lever, front brake control	-	1
27	H880	Screw, lever to bracket	2	-
28	100/006	Screw, lever to bracket	-	2
29	F879	Nut, lever to bracket screw	2	-
30	18/717	Nut, lever to bracket screw	-	2
31	S26-2	Washer, lever to bracket nut	2	-
32	70/016	Washer, lever to bracket nut	-	2
33	70/005	Stop, clutch and brake cable	-	2

GROUP 17 - HANDLEBAR

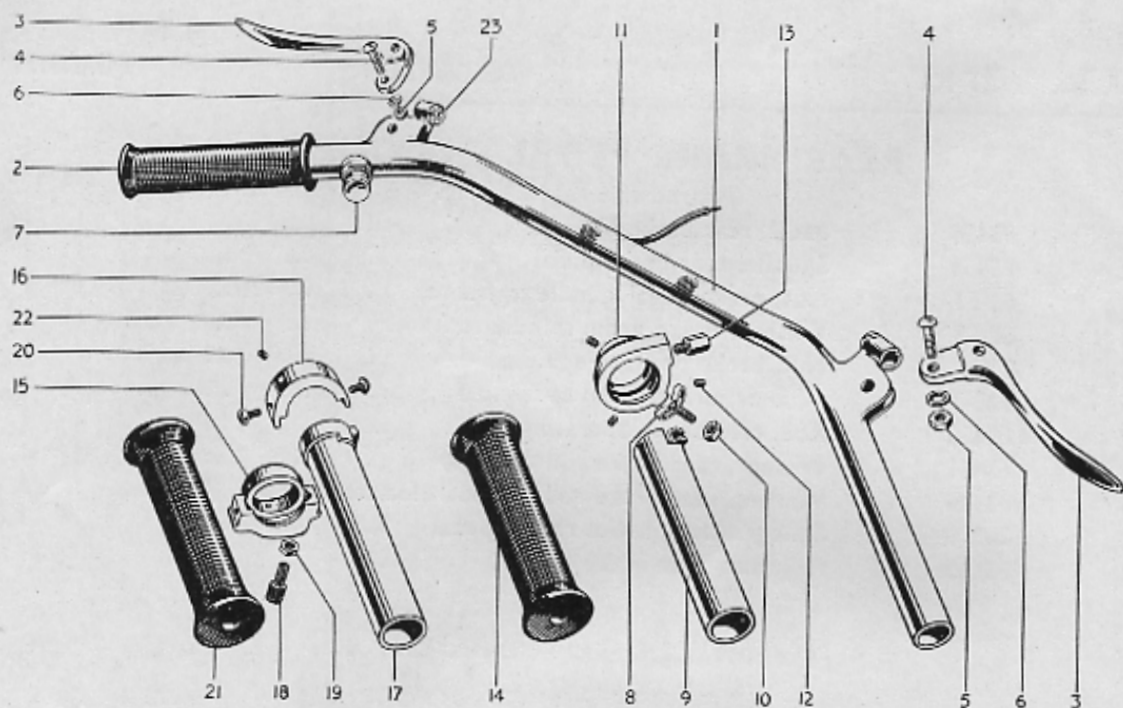


FIG. 13. HANDLEBAR AND COMPONENTS.

INDEX.

Illust. No.	Part No.	Page No.	Ref. No.	Illust. No.	Part No.	Page No.	Ref. No.
1	H867	39	14	10	16/010	41	11
	91/314	39	15	11	306/001	41	4
2	H885	39	21	12	306/003	41	6
	16/069CE	39	22	13	306/007	41	18
3	*H879	39	23/5	14	16/070	41	20
	*70/009	39	24/6	15	H905	41	3
4	H880	39	27	16	H910	41	14
	100/006	39	28	17	H909	41	12
5	F879	39	29	18	H912	41	16
	18/717	39	30	19	H913	41	17
6	S26-2	39	31	20	H911	41	15
	70/016	39	32	21	H884	41	19
7	H886	47	32	22	H906	41	5
8	306/004	41	8	23	70/005	39	33
9	306/010	41	13				

* State L.H. or R.H.

CONTROL CABLES – GROUP 18

REF. No.	PART No.	DESCRIPTION	QUANTITY	
			T15	T20
TWISTGRIP				
1	H883	Twistgrip complete	1	-
2	306/1	Twistgrip complete	-	1
3	H905	Body, twistgrip	1	-
4	306/001	Body, twistgrip	-	1
5	H906	Grub screw, body fixing	3	-
6	306/003	Grub screw, body fixing	-	3
7	H907	Spring, body to rotor tension	1	-
8	306/004	Spring, body to rotor tension	-	1
9	H908	Rivet, body to rotor tension spring	1	-
10	306/005	Screw, tension spring	-	1
11	16/010	Locknut, tension spring screw	-	1
12	H909	Rotor sleeve, twistgrip	1	-
13	306/010	Rotor sleeve, twistgrip	-	1
14	H910	Clip, twistgrip body	1	-
15	H911	Screw, twistgrip body clip	2	-
16	H912	Adjuster, throttle cable... ..	1	-
17	H913	Locknut, throttle cable adjusting	1	-
18	306/007	Cable stop, twistgrip	-	1
19	H884	Grip, twistgrip rubber	1	-
20	16/070	Grip, twistgrip rubber	-	1

CONTROL CABLES – GROUP 18

FRONT BRAKE CABLE

21	D323	Cable assembly, front brake	1	1
22	D323C	Casing, front brake cable	1	1
23	D323W	Wire, front brake cable	1	1
24	D103	Ferrule, front brake cable casing	2	2
25	18/107	Nipple, front brake cable wire (Handlebar end)	1	1
26	DS.73	Nipple, front brake cable wire (Brake end)	1	1
27	D279	Adjuster, front brake cable	1	1
28	F879	Nut, front brake cable adjuster	1	1
29	D280	Clevis, front brake cable wire	1	1
30	D281	Pin, front brake cable clevis	1	1
31	$\frac{1}{16} \times \frac{1}{2}$ "	Split-pin, clevis pin	1	1

THROTTLE CABLE

32	D315	Cable assembly, throttle	1	-
33	D316	Cable assembly, throttle	-	1
34	D315C	Casing, throttle cable	1	-
35	D316C	Casing, throttle cable	-	1

GROUP 19 – HANDLEBAR (U.S.A. ONLY)

REF. No.	PART No.	DESCRIPTION	QUANTITY	
			T15	T20
1	D315W	Wire, throttle cable	1	-
2	D316W	Wire, throttle cable	-	1
3	12/083	Ferrule, throttle casing	2	2
4	306/008	Nipple, throttle wire (Twistgrip)	1	-
5	D285	Nipple, throttle wire (Twistgrip)	-	1
6	1482/050	Nipple, throttle wire (Carburetter)	1	1
GEAR INDICATOR CABLE				
7	D282	Cable assembly, gear indicator... ..	1	1
8	D282C	Casing, gear indicator cable	1	1
9	D282W	Wire, gear indicator cable	1	1
10	12/083	Ferrule, gear indicator casing	2	2
11	D285	Nipple, gear indicator cable (Engine end)	1	1
12	18/115	Nipple, gear indicator casing (Indicator end)	2	2
13	E3280	Abutment, gear indicator cable c/case	1	1
14	D283	Spring, gear indicator cable	1	1
15	D284	Adjuster, gear indicator cable	1	1
16	H745	Locknut, gear indicator cable adjuster	1	1
CLUTCH CABLE				
17	D331	Cable assembly, clutch	1	1
18	D331C	Casing, clutch cable	1	1
19	D331W	Wire, clutch cable	1	1
20	D103	Ferrule, clutch cable casing	2	2
21	18/706	Nipple, clutch wire (Handlebar end)	1	1
22	D334	Nipple, clutch cable (Clutch end)	1	1
23	D319	Adjuster, clutch cable	1	1
24	D268	Locknut, clutch cable	1	1
25	D288	Abutment, clutch cable (Handlebar end)	1	1
26	D333	Abutment, clutch cable (Clutch end)	1	1

HANDLEBAR (U.S.A. ONLY) – GROUP 19

HANDLEBAR				
27	H933	Handlebar c/w control lever and Twistgrip	1	1
28	H934	Handlebar bend only	1	1
29	16/069	Grip, handlebar rubber	1	1
CONTROL LEVERS				
30	18/557	Lever assembly, clutch control	1	1
31	18/556	Lever assembly, front brake control	1	1
32	18/528	Lever only, clutch and brake	2	2
33	18/234	Bracket, lever fulcrum	2	2

CONTROL CABLE (U.S.A. ONLY) – GROUP 20

REF. No.	PART No.	DESCRIPTION	QUANTITY	
			T15	T20
1	12/040	Clamp, lever bracket	2	2
2	11/014	Screw, lever bracket to clamp	4	4
3	18/087	Screw, lever fulcrum pin	2	2
4	18/053	Nut, lever fulcrum pin	2	2

TWISTGRIP

(As listed for T20)

CONTROL CABLE (U.S.A. ONLY) – GROUP 20

FRONT BRAKE CABLE

5	D321	Cable assembly, front brake	1	1
6	D321C	Casing, front brake cable	1	1
7	D321W	Wire, front brake cable	1	1
8	D103	Ferrule, front brake casing	2	2
9	D81	Nipple, front brake wire (Handlebar)	1	1
10	DS73	Nipple, front brake wire (Clevis)	1	1
11	D279	Adjuster, front brake cable	1	1
12	F879	Locknut, front brake cable adjuster	1	1
13	D280	Clevis, front brake cable	1	1

THROTTLE CABLE

14	D317	Cable assembly, throttle	1	1
15	D317C	Casing, throttle cable	1	1
16	D317W	Wire, throttle cable	1	1
17	12/083	Ferrule, throttle cable casing	2	2
18	D285	Nipple, throttle wire (Twistgrip)	1	1
19	1482/050	Nipple, throttle wire (Carburettor)	1	1

CLUTCH CABLE

20	D332	Cable assembly, clutch	1	1
21	D332C	Casing, clutch cable	1	1
22	D332W	Wire, clutch cable	1	1
23	D103	Ferrule, clutch cable casing	2	2
24	D81	Nipple, clutch wire (Handlebar)	1	1
25	D334	Nipple, clutch wire (Gearbox)	1	1
26	D288	Abutment, clutch cable handlebar end	1	1
27	D319	Adjuster, clutch cable	1	1
28	D268	Locknut, clutch cable adjuster	1	1
29	D333	Abutment, at clutch end	1	1

GROUP 21 – NACELLE REAR INDICATOR

REF. No. PART No. DESCRIPTION QUANTITY

NACELLE GEAR INDICATOR – GROUP 21

		NACELLE GEAR INDICATOR					T15 T20	
1	H936	Rack and pinion assembly	1	1
2	H689	Screw, rack and pinion to nacelle	2	2
3	H937	Spindle assembly	1	1
4	H939	Finger, indicator	1	1
5	H688	Screw, finger to spindle	1	1
6	H904	Plate, gear indicator	1	-
7	H921	Plate, gear indicator	-	1

PROPRIETARY FITTINGS

Ancillary equipment which is fitted to our motor cycles is of the highest quality and is guaranteed by the manufacturers and not by ourselves. Any repairs or claims should be sent to the actual maker, or one of their accredited agents who will always give owners every possible assistance. The following are the addresses of the various manufacturers.

CARBURETTERS	Messrs. Amal Ltd., Holdford Road, Witton. Birmingham, 6.
CHAINS*	The Renold and Coventry Chain Co. Ltd., Didsbury, Manchester.
ELECTRICAL EQUIPMENT	Messrs. J. Lucas, Ltd., Great Hampton Street, Birmingham, 18.
HORN	Messrs. Clear Hooters Ltd. Hampton Street, Birmingham, 19.
SADDLES	Messrs. Terrys Ltd., 210, Corporation Street, Birmingham, 4. Messrs. Wright Saddle Co. Ltd., Dale Road, Selly Oak, Birmingham, 29.
SPARKING PLUGS	Champion Sparking Plugs Ltd., Feltham, Middlesex.
SPEEDOMETERS	Messrs. Smiths Motor Accessories Ltd., Cricklewood Works, London, N.W.2.

GROUP 22 – LUCAS ELECTRICAL EQUIPMENT

REF. No. PART No DESCRIPTION QUANTITY

LUCAS ELECTRICAL EQUIPMENT – GROUP 22

								T15	T20
ALTERNATOR (RM13)									
1	047502	Alternator assembly	1	1
2	465915	Stator, complete	1	1
3	465904	Rotor	1	1
4	E3475	Grommet, alternator cable	1	1
5	E3204	Screw, alternator stator to cover	5	5
6	E1612	Washer, alternator stator to cover screw	5	5
7	E1580	Key, rotor to mainshaft...	1	1
8	465909	Nut, rotor to mainshaft	1	1
9	465910	Washer, rotor to mainshaft	1	1
RECTIFIER (FSW 1500A)									
10	47111A	Rectifier	1	1
11	F3527	Bracket, rectifier mounting	1	1
12	F929	Bolt, bracket to seat lug (front)	1	1
13	S25-3	Washer, bracket to seat lug (front)	1	1
14	DS57	Bolt, bracket to top bridge seat stays	1	1
15	F879	Nut, bracket to top bridge seat stays...	1	1
16	E1612	Washer, bracket to top bridge seat stays	1	1
17	F3600	Nut, rectifier to bracket	1	1
IGNITION COIL (CQ6)									
18	45036A	Coil	1	1
19	DS57	Bolt, coil to mudguard	2	2
20	E1612	Washer, coil to mudguard bolt	2	2
21	F879	Nut, coil to mudguard bolt	2	2
22	F3687	Backing strip, coil to mudguard	1	1
23	414965	Sleeve, H.T. cable	1	1
24	236741	Sleeve, L.T. cable	2	2
DISTRIBUTOR (15DI) See Page 61 for T20									
25	40399B	Distributor	1	-
26	406105	Clamping plate assembly	1	-
27	421106	Contact set	1	-
28	421327	Condenser	1	-
29	421206	Cam	1	-
30	421415	Spring, auto advance	1	-
31	421056/S	Weights assembly	1	-
32	421054	Shaft and action plate	1	-
33	419645	Sundry parts set	1	-
34	DS57	Bolt, lever to crankcase...	1	-
35	S25-13	Washer, lever to crankcase bolt	1	-
36	E3309	Sealing ring, distributor	1	-
BATTERY (PU5E)									
37	408200	Battery	1	1

LUCAS ELECTRICAL EQUIPMENT – GROUP 22

REF. No.	PART No.	DESCRIPTION	QUANTITY	
HEADLAMP (MCF 575)			T15	T20
1	51519A	Headlamp assembly	1	1
2	516723	Rim, headlamp	1	1
3	500291	Wire, light unit fixing	4	4
4	516728	Light unit	1	1
5	554946	Adaptor assembly	1	1
6	554710	Bulbholder, pilot	1	1
7	553780	Interior, pilot	1	1
8	312	Bulb, main	1	1
9	988	Bulb, pilot	1	1
10	H876	Adjuster screw, headlamp	1	1
11	H745	Locknut, adjuster screw	1	1
12	H875	Spring, adjuster screw	1	1
LIGHTING AND IGNITION SWITCH (P.R. S8)				
13	31443	Switch	1	1
14	318341	Key, ignition	1	1
DIPPER SWITCH				
15	380521	Switch, dipper	1	1
TAIL LAMP (529)				
16	53256A	Lamp, tail	1	1
17	526404	Lens	1	1
18	526406	Window, number plate	1	1
19	133551	Screw, fixing lens	2	2
20	161385	Grommet, screw... ..	2	2
21	554719	Bulb holder	1	1
22	526408	Base, rubber	1	1
23	951	Bulb	1	1
24	526410	Screw, lamp to number plate	3	3
25	166103	Nut, lamp to number plate	3	3
26	188366	Washer, lamp to number plate	3	3
WIRING HARNESS				
27	837141	Harness wiring	1	1
HORN (CLEAR HOOTER)				
28	D300	Horn	1	1
29	H886	Switch button, horn (No. 15)	1	1
30	D314	Bracket, horn	1	1
31	H687	Screw, switch fastening	1	1
32	H745	Nut, switch fastening	1	1

GROUP 23 — AMAL CARBURETTER

REF. No. PART No. DESCRIPTION QUANTITY

AMAL CARBURETTER — GROUP 23

Illustrated on opposite page

CARBURETTER								T15	T20
1	332/2	Carburetter, complete	1	-
2	332/3	Carburetter, complete	-	1
MIXING CHAMBER									
3	332/023	Body, mixing chamber	1	-
4	332/001	Body, mixing chamber	-	1
5	332/012	Cap, mixing chamber	1	1
6	332/013	Spring, mixing chamber cap	1	1
7	332/014	Screw, mixing chamber cap spring and throttle locating	1	1
8	332/011	Top, mixing chamber	1	1
9	52/068	Adjuster, throttle cable...	1	1
10	332/005	Valve, throttle	1	1
11	332/021	Spring, throttle valve	1	1
12	332/018	Screw, throttle adjusting	1	1
13	332/020	Nut, throttle adjusting screw	1	1
14	332/017	Screw, air adjusting	1	1
15	4/148	Spring, air adjusting screw	1	1
16	332/002	Jet for needle	1	1
17	332/003	Needle for jet	1	1
18	332/004	Clip, jet needle	1	1

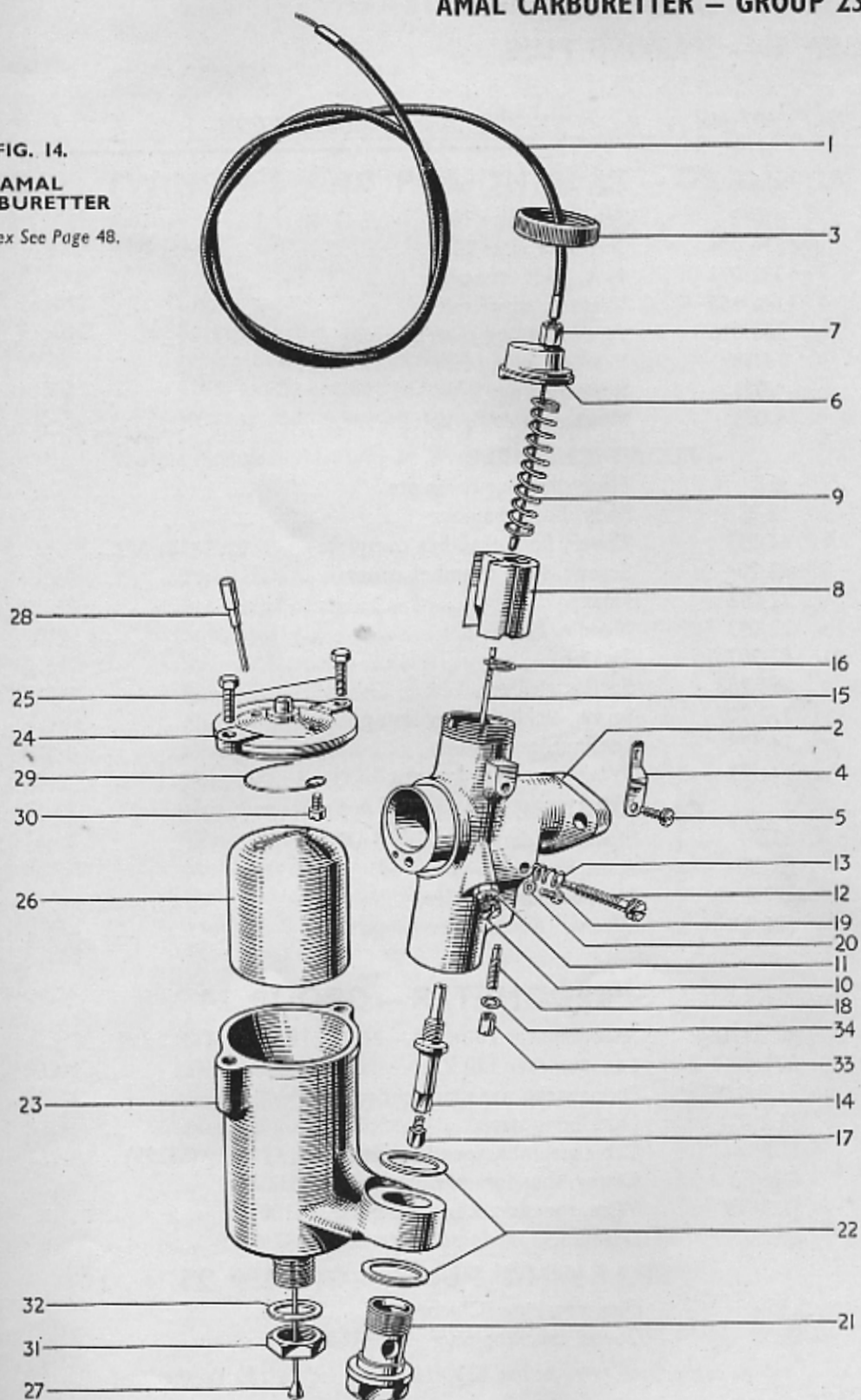
INDEX TO FIG. 14. PAGE 49.

Illust. No.	Part No.	Page No.	Ref. No.	Illust. No.	Part No.	Page No.	Ref. No.
1	*D315	41	32	18	4/042(100)	50	2
	*D316	41	33	19	376/076	50	3
2	332/023	48	3	19	333/016	50	6
	332/001	48	4	20	14/189	50	7
3	332/012	48	5	21	4/043	50	9
4	332/013	48	6	22	4/053	50	10
5	332/014	48	7	23	62/214	50	11
6	332/011	48	8	24	62/212	50	12
7	52/068	48	9	25	62/204	50	13
8	332/005	48	10	26	22/016	50	14
9	332/021	48	11	27	22/013	50	15
10	332/018	48	12	28	62/207	50	16
11	332/020	48	13	29	352/208	50	17
12	323/017	48	14	30	352/207	50	18
13	4/148	48	15	31	14/178	50	19
14	332/002	48	16	32	14/175	50	20
15	332/003	48	17	33	332/026	50	4
16	332/004	48	18	34	111/162	50	5
17	4/042(90)	50	1				

* See Page 43 for U.S.A. Throttle Cable Details

AMAL CARBURETTER - GROUP 23

FIG. 14.
AMAL
CARBURETTER
For Index See Page 48.



GROUP 24 — SPEEDOMETER**GROUP 25 — SPARKING PLUG**

REF. No.	PART No.	DESCRIPTION	QUANTITY	
			T15	T20
1	4/042	Jet, main (size 90)	1	-
2	4/042	Jet, main (size 100)	-	1
3	†376/076	Jet, pilot (size 20)	1	1
4	†332/026	Nut, pilot jet cover	1	1
5	†116/162	Washer, cover nut	1	1
6	333/016	Screw, mixing chamber plug	1	1
7	14/189	Washer, plug screw	1	1
8	4/043	Bolt, holding	1	1
9	4/053	Washer, holding bolt	1	1
FLOAT CHAMBER				
10	3EB	Float chamber complete	1	1
11	62/214	Body, float chamber	1	1
12	62/212	Cover, float chamber complete	1	1
13	62/204	Screws, float chamber cover	2	2
14	22/016	Float	1	1
15	22/013	Needle, float	1	1
16	62/207	Tickler	1	1
17	352/208	Spring, tickler	1	1
18	352/207	Screw, tickler spring fixing	1	1
19	14/178	Locknut, seating	1	1
20	14/175	Washer, seating locknut	1	1
CARBURETTER FIXINGS (TRIUMPH)				
21	E3254	Block, insulating carb to head	1	1
22	E3250	Joint washer, carb to head	2	2
23	F879	Nut, carburetter flange	2	2
24	S25-13	Washer, carburetter flange nuts	2	2
SPEEDOMETER — GROUP 24				
25	80421/16/2	Speedometer 70 m.p.h.—NON TRIP	1	1
26	80421/17/2	Speedometer 120 k.p.h.—NON TRIP	1	1
27	31/4/2/1	Fixing strap, speedometer to nacelle	1	1
28	31/1/7	Nut, fixing strap	1	1
29	D286	Cable assembly speedometer drive, 49" long (53395)	1	1
30	D286C	Casing, speedometer drive outer (53398)	1	1
31	D286W	Wire, speedometer drive inner (52108/1)	1	1
32	D175	Gearbox, speedometer drive (52283/64/3)	1	1
SPARKING PLUG — GROUP 25				
33	L10S	Plug, sparking (Champion)	1	1
34	D297	Cover, sparking plug	1	1

†With earlier type pilot jet use 333/016 Screw and 14/189 Washer

SADDLE, TWINSEAT AND PILLION SEAT – GROUP 26
CHAINS – GROUP 27

REF. No. PART No. DESCRIPTION QUANTITY

SADDLE, TWINSEAT AND PILLION SEAT – GROUP 26

		SADDLE	T15	T20
1	F3501	*Saddle	1	-
2	F3501C	*Cover, saddle	1	-
3	F3501D	*Springs, saddle main	2	-
4	W76	Nut, saddle bracket to frame	4	-
5	F3502	Stud, saddle bracket to frame	2	-
6	S25-2	Washer, saddle bracket to frame	4	-

* State Manufacturer (Terry or Wright) when ordering.

		TWINSEAT	T15	T20
7	F3862	Twinseat c/w Attachments	1	1
8	F3535	Bracket, Twinseat Centre	1	1
9	F879	Nut, centre and rear bracket to pan	4	4
10	E1612	Washer, centre and rear bracket to pan	4	4
11	F3536	Stud, centre bracket to frame	2	2
12	W76	Nut, centre bracket to frame	2	2
13	S26-1	Washer, centre bracket to frame	2	2
14	E667	Bolt, front bracket to frame	1	1
15	S1-51	Nut, front bracket to frame	1	1
16	S26-3	Washer, front bracket to frame	1	1
17	F3866	Stud, rear bracket to mudguard	2	2
18	F879	Nut, rear bracket to mudguard	2	2
19	E1612	Washer, rear bracket to mudguard	2	2
20	F3865	Rear bracket, twin seat	1	1

		PILLION SEAT	T15	T20
21	F3522	Seat, pillion	1	-
22	S23-42	Bolt, pillion seat fixing	4	-
23	S4-9	Nut, pillion seat fixing	4	-
24	S25-1	Washer, pillion seat fixing	4	-

CHAINS – GROUP 27

25	D276	Chain, primary endless, 110038— $\frac{3}{8}$ " \times $\frac{7}{16}$ " \times 62 Links ...	1	1
26	D277	Chain, rear, 110044— $\frac{1}{2}$ " \times $\frac{5}{16}$ " \times 112 Links ...	1	1

GUARANTEE

WE give the following guarantee with our motor cycles, motor cycle combinations and sidecars. This guarantee is given in place of any implied conditions or warranties or any liabilities whatsoever statutory or otherwise ; no guarantee except that hereinafter contained and no conditions or warranty whatsoever statutory or otherwise is given or is to be implied, nor are we to be under any liability whatsoever except under the guarantee hereinafter contained. Any statement, description, condition or representation contained in any catalogue, advertisement, leaflet or other publication shall not be construed as enlarging, varying or overriding anything herein contained. In the case of machines (a) which have been used for "hiring out" purposes or (b) any motor cycle and/or sidecar used for any dirt tracks, cinder track or grass track racing or competitions (or any competition of any kind within an enclosure for which a charge is made for admission to take part in or view the competition) or (c) machines from which the trade mark, name or manufacturing number has been altered or removed or (d) any machines in which parts have been used not supplied by or approved by the motor cycle manufacturer, or (e) any machine from which the silencing system as fitted by the manufacturer has been partially or wholly removed or interfered with, no guarantee, condition or warranty of any kind statutory or otherwise is given or is to be implied nor are we to be under any liability whatsoever in respect of any such machine.

We guarantee, subject to the conditions mentioned below, that all precautions which are usual and reasonable have been taken by us to secure excellence of materials and workmanship, but this guarantee is to extend and be in force for six months only in the U.K. and ninety days overseas from date of purchase, or date of exchange in case of any part supplied by way of exchange as hereinafter provided, and damages for which we make ourselves responsible under this guarantee are limited to the free repair of or supply of a new part in exchange for the part of the motor cycle, motor cycle combination or side car which may have proved defective. We undertake, subject to the conditions mentioned below, to make good in manner aforesaid any part covered by this guarantee which has proved defective within the said period of six months. We do not undertake to replace or refix, or bear the cost of replacing or refixing any such new part in the motor cycle, motor cycle combination or sidecar. As motor cycles, motor cycle combinations and sidecars are easily liable to derangement by neglect or misuse, this guarantee does not apply to defects caused by wear and tear, misuse or neglect.

The term "misuse" shall include amongst others the following acts :—

1. The attaching of a sidecar to a motor cycle in such a manner as to cause damage or calculated to render the latter unsafe when ridden.
2. The use of a motor cycle or of a motor cycle and sidecar combined, when carrying more persons or a greater weight than that for which the machine was designed by the manufacturers.
3. The attaching of a sidecar to a motor cycle by any form of attachment not provided, supplied, or approved by the manufacturers, or to a motor cycle which is not designed for such use.

We do not guarantee specialities such as tyres, saddles, chains, carburettors, electrical equipment, lamps, etc., or any accessories or component parts supplied to the order of the purchaser differing from those comprised in the standard specifications supplied with our motor cycles, motor cycle combinations or sidecars. As regards all such specialities, accessories or component parts no guarantee, condition or warranty of any kind statutory or otherwise is given or is to be implied, and we are to be under no liability whatsoever in respect thereof.

CONDITIONS OF GUARANTEE

If a defective part should be found in our motor cycles, motor cycle combinations or sidecars, or in any part supplied by way of exchange as before provided, it must be sent to us CARRIAGE PAID, and accompanied by an intimation from the owner that he desires to have it repaired or exchanged free of charge under our guarantee and he must also furnish us at the same time with the frame number of the machine, the date of purchase or the date when the alleged defective part was exchanged as the case may be.

Failing compliance with the above, such articles will lie here at THE RISK OF THE OWNER, and this guarantee and any implied guarantee, warranty or condition, shall not be enforceable.

REPAIRS

Any motor cycle, motor cycle combination or sidecar sent to us to be plated, enamelled or repaired will be repaired upon the following conditions, *i.e.*, we guarantee that all precautions which are usual and reasonable have been taken by us to secure excellence of materials and workmanship, such guarantee to extend and be in force for three months only from the time such work shall have been executed, and this guarantee is in lieu and in exclusion of all conditions and warranties statutory or otherwise and all liabilities whatsoever and the damages recoverable are limited to the cost of any further work which may be necessary to amend and make good the work found to be defective.

NOTICE

We do not appoint agents for the sale on our behalf of our motor cycles or other goods, but we assign to motor cycle Dealers areas in which we supply to such Dealers exclusively for re-sale in such areas. No such Dealer is authorised to transact any business, give any warranty, make any representation or incur any liability on our behalf. All goods are offered for sale subject to the price ruling at time of delivery. We reserve the right to modify or deviate from the published specification.

INDEX

	<i>Page No.</i>
Group 1—CARTON PACKS	5
Group 2—ENGINE	7
Crankcase... ..	9
Crankcase bearings (engine)	9
Crankcase filter	9
Cylinder barrel	7
Cylinder head	7
Engine sprocket	12
Flywheels and connecting rod	9
Gasket set	13
Inner cover drive side	12
Inner cover timing side	13
Oil pump	12
Overhead rocker, covers, etc.	8
Outer cover drive side	12
Outer cover timing side	13
Piston	7
Push rods and cover	8
Rocker oil pipe and fittings	8
Tappets	8
Timing gears and camshaft	12
Valves, guides, springs, etc.	8
Group 3—GEARBOX AND CLUTCH	14
Camplate	14
Clutch	16, 60
Clutch control	18
Footchange mechanism	14
Filler, level and drain plugs	16
Gearbox casing bearings	15
Gearbox sprocket	16
Kickstarter	16
Selector forks and spindle	14
Shafts and gears	14
Group 4—EXHAUST SYSTEM	18
Exhaust pipe	18
Silencer	18
Group 5—FRAME	19
Frame	19
Rear suspension	19
Group 6—STAND	19
Centre stand	19
Prop stand	19

	Page No.
Group 7—TELESCOPIC FRONT FORK	24
Front fork	24
Steering races	25
Licence holder	25
Group 8—WHEELS	27
Front wheel	27
Front wheel brake	27
Rear wheel	29
Rear wheel brake	29
Rear wheel chain adjuster	30
Group 9—MUDGUARDS AND REAR CARRIER	30
Front mudguard	30
Rear mudguard	32
Rear carrier	32
Group 10—NUMBER PLATES	32
Front number plate	32
Rear number plate	32
Group 11—REAR CHAINGUARD	33
Group 12—TOOLBOX, BATTERY AND AIR CLEANER ASSEMBLY	33
Group 13—TOOLS	34
Group 14—PETROL AND OIL TANKS	37
Oil tank	37
Petrol tank	37
Group 15—FOOTRESTS	38
Rider's footrest	38
Pillion footrest	38
Group 16—REAR BRAKE PEDAL	39
Group 17—HANDLEBAR AND FITTINGS	39
Control levers	39
Handlebar	39
Twistgrip	41

	Page No.
Group 18—CONTROL CABLES	41
Clutch cable	42
Front brake cable	41
Gear indicator cable	42
Throttle cable	41
Group 19—HANDLEBAR AND FITTINGS (U.S.A. ONLY)	42
Control levers	42
Handlebar	42
Twistgrip	43
Group 20—CONTROL CABLES (U.S.A. ONLY)	43
Clutch cable	43
Front brake cable	43
Throttle cable	43
Group 21—NACELLE GEAR INDICATOR	44

PROPRIETARY FITTINGS

Group 22—LUCAS ELECTRICAL EQUIPMENT	46, 61
Group 23—AMAL CARBURETTER	48
Carburetter	48
Carburetter fixings (Triumph)... ..	50
Mixing chamber	48
Float chamber	50
Group 24—SPEEDOMETER	50
Group 25—SPARKING PLUG	50
Group 26—SADDLE TWINSEAT AND PILLION SEAT	51
Saddle	51
Twinseat	51
Pillion seat	51
Group 27—CHAIN GROUP	51

INDEX TO ILLUSTRATIONS

		Page No.
Fig. 1.	Engine and gearbox unit	10
„ 2.	Mainshaft and layshaft gears	15
„ 3.	Clutch and shock absorber unit... ..	17
„ 4.	Frame and components	20
„ 5.	Rear suspension	21
„ 6.	Telescopic front fork	22
„ 7.	Front wheel	26
„ 8.	Rear wheel... ..	28
„ 9.	Mudguard, number plates, carrier and rear chainguard	31
„ 10.	Toolbox, battery carrier and air cleaner	34
„ 11.	Tools	35
„ 12.	Petrol and oil tanks	36
„ 13.	Handlebar and components	40
„ 14.	Amal carburetter	49
„ 15.	Nec-Langite clutch and shock absorber Unit	59

To assist the owner and dealer in identifying requirements, this book contains numerous exploded views of the major assemblies. Each component part on the illustration is numbered, and by cross reference to the appropriate index, the part number of the component will be found. Against each part number a page and reference number is shown and by referring to the appropriate page, the full description of the part will be found against the reference number.

EXAMPLE.

To find the part number of the cylinder head gasket :

1. Refer to the illustration index above, where it will be found that the engine is illustrated on page 10.
2. Note that the number of the gasket in the illustration is 9.
3. Refer to the index on page 11.
4. Note that illustration number 9 is part number E3217 listed on page 7, line 30.

*Tournez s'il vous plait.
Véase al dorso.
Bitte wenden.*

MANIÈRE D'IDENTIFIER LA PIÈCE DE RECHANGE REQUISE

Afin d'assister MM. les marchands et MM. les possesseurs à l'identification des pièces de rechange, ce livre contient de nombreuses illustrations des montages principaux en façon de "perspectives éclatées".

Chaque pièce composante à l'illustration est numérotée ; en se référant à l'index approprié on peut trouver le numéro relatif.

A côté de chaque pièce illustrée se trouve le numéro de la page et le numéro de référence ; en se référant à la page appropriée la description complète de la pièce sera facilement constatée.

Exemple.

Pour identifier le numéro de référence du joint de culasse :

1. Se référer à la page intitulée "Index to Illustrations" où on trouvera que le moteur est illustré sur la page 10.
2. Noter qu'à côté du joint de culasse se trouve le numéro 9.
3. Se référer à l'index donné sur la page numéro 11.
4. On y constatera que suivant le numéro 9 se trouve :
 - (a) le numéro relatif—E.3217
 - (b) le numéro de la page d'index—7
 - (c) la ligne de référence—30.

MANERA DE ENCONTRAR LA PIEZA DESEADA

Para ayudar al propietario y al representante en la identificación de las piezas deseadas este libro contiene numerosas ilustraciones de los principales montajes.

Cada pieza componente en la ilustración está numerada y al referirse al índice apropiada, se encontrará el número de la pieza.

Contra el número de cada pieza se muestra el número de referencia, y al referirse a la página apropiada, a descripción completa de cada pieza se encontrará contra el número de referencia.

Ejemplo.

Para encontrar el número de pieza de la empaquetadura de la culata de cilindro ;

1. Referirse a la página "Index to Illustrations" donde se verá que la ilustración del motor está en la página 10.
2. Nótese que el número de la empaquetadura en la ilustración es 9.
3. Referirse al índice de la ilustración en cuestión en la página 11.
4. Note que no. 9 es pieza número E.3217 en la lista de la página 7, línea de referencia no. 30

ANWEISUNG ZUR IDENTIFIZIERUNG BENOETIGTER ERSATZTEILE

Dieses Buch enthält zahlreiche Zerlege-Abbildungen der Hauptzusammenstellungen, um dem Besitzer und dem Verteiler beim Identifizieren seiner Förderungen zu helfen. Jedes Teil auf der Abbildung ist mit einer Nummer versehen, und die Bestandteilnummer wird durch Nachschlagen des bezüglichen Verzeichnisses gefunden. Mit jeder Teilnummer ist die Seite und die Referenznummer gegeben, und durch Nachschlagen der bezüglichen Seite wird die vollständige Beschreibung des Teiles unter der Referenznummer gefunden.

Zum Beispiel.

Um die Nummer der Zylinderkopfdichtung zu finden :

1. Schlagen Sie das Abbildungsverzeichnis, oben, nach, wo es gefunden wird, dass die Maschine auf Seite 10 abgebildet ist.
2. Merken Sie, dass Nr. 9 ist die Nummer der Dichtung auf der Abbildung.
3. Schlagen Sie das Verzeichnis auf Seite 11, nach.
4. Merken Sie, dass die Abbildungsnummer 9 ist die Teilnummer E3217, eingetragen auf Seite 7, Zeile 30.

Ref. 270/1956

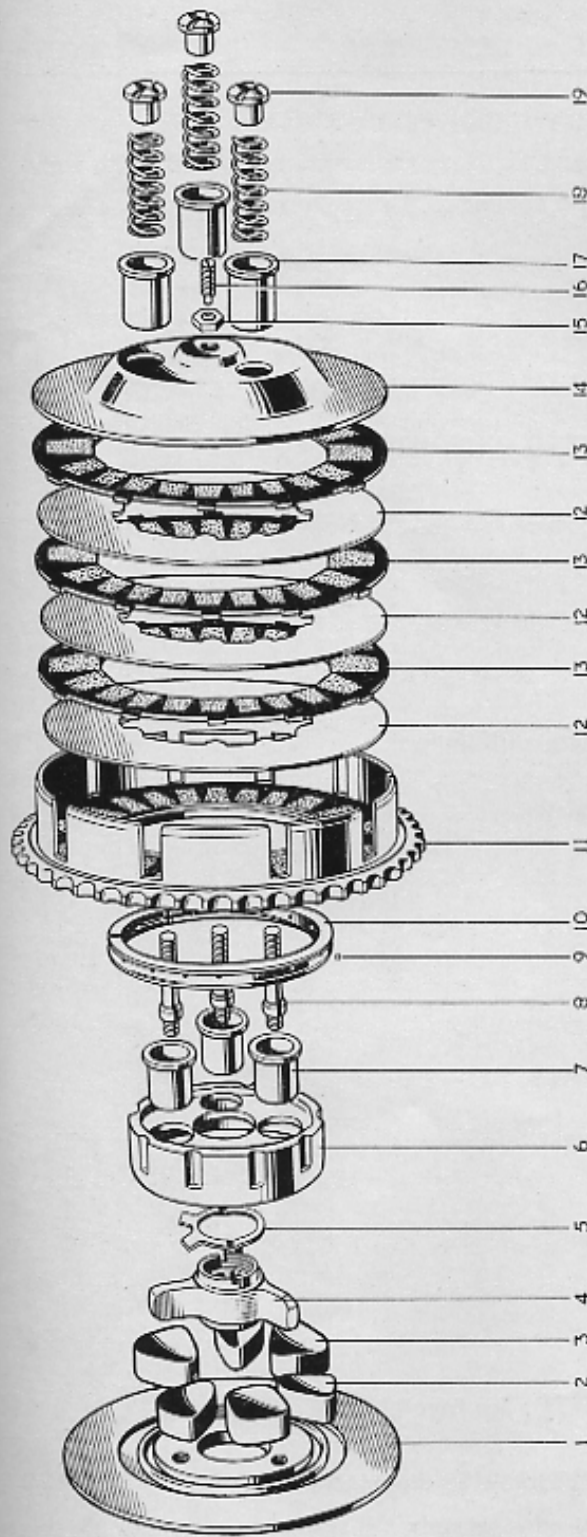


FIG. 15. NEO-LANGITE CLUTCH AND SHOCK ABSORBER UNIT.

INDEX.

Illust. No.	Part No.	Page No.	Ref. No.	Illust. No.	Part No.	Page No.	Ref. No.
1	T1128	60	7	11	T1310	60	2
2	T1318	60	12	12	T1315	60	13
3	T1132	60	11	13	T1294	60	14
4	T1346	60	10	14	T1253	60	15
5	T1347	60	23	15	GS662	60	17
6	T1314	60	6	16	T1256	60	16
7	T1364	60	8	17	T1144	60	18
8	T1350	60	9	18	T1145	60	19
9	T1124	60	3	19	T1146	60	20
10	T1264	60	4				

TERRIER & CUB CLUTCH EMPLOYING NEO-LANGITE FRICTION MATERIAL

REF. No. PART No. DESCRIPTION QUANTITY

Machine Nos. 11621 to 11822, 12152 to 12222 and 12704 onwards have been fitted with a clutch employing Neo-Langite friction material, which is bonded to the steel plates. Details as follows :

1	T1365	Clutch complete	1	1
2	T1310	Housing and sprocket complete with linings	1	1
3	T1124	Ball, clutch bearing	16	16
4	T1264	Bearing ring, clutch sprocket	1	1
5	T1345	Shock absorber assembly comprising lines 6 to 12	1	1
6	T1314	Clutch centre	1	1
7	T1128	Backplate	1	1
8	T1364	Cup, centre driving	3	3
9	T1350	Pin, driving cup	3	3
10	T1346	Spider	1	1
11	T1132	Rubber, drive	3	3
12	T1318	Rubber, rebound	3	3
13	T1315	Driven Plate	3	3
14	T1294	Driving plate complete with linings	3	3
15	T1253	Pressure plate	1	1
16	T1256	Adjuster, pressure plate	1	1
17	GS662	Nut, for adjuster	1	1
18	T1144	Spring cup	3	3
19	T1145	Spring, clutch pressure	3	3
20	T1146	Nut, clutch pin	3	3

ACCOMPANYING PARTS

21	T1140	Rod, clutch operating	1	1
22	T1119	Key, to mainshaft	1	1
23	T1347	Tab washer	1	1
24	T1348	Nut, clutch securing	1	1

SPECIAL NOTE: See Page 12.

Machines up to Engine No. 11620 and from 11823 to 12151 should use :—

E.3198 Cover, crankcase D.S. Inner if required separately. If crankcase and inner cover are required, order as listed.

DISTRIBUTOR (15D1) T20 ONLY

REF. No.	PART No.	DESCRIPTION	QUANTITY
DISTRIBUTOR (15D1) T20 ONLY			
1	40433A	Distributor	- 1
2	406105	Clamping plate assembly	- 1
3	421106	Contact set	- 1
4	421327	Condenser	- 1
5	421697	Cam	- 1
6	421696/S	Spring, auto advance	- 1
7	421056/S	Weights assembly	- 1
8	421054	Shaft and action plate	- 1
9	419645	Sundry parts set	- 1
10	DS57	Bolt, lever to crankcase	- 1
11	S25-13	Washer, lever to crankcase bolt	- 1
12	E3309	Sealing ring, distributor	- 1